

1. General Description

The EM74AHC1G125 and EM74AHCT1G125 are single buffer/line drivers with 3-state outputs. Inputs are overvoltage tolerant. This feature allows the use of these devices as translators in mixed voltage environments.

2. Features and Benefits

- Wide supply voltage range from 2.0 V to 5.5 V
- Overvoltage tolerant inputs to 5.5 V
- High noise immunity
- CMOS low power dissipation
- Latch-up performance exceeds 200 mA
- Symmetrical output impedance
- Balanced propagation delays
- Input levels:
 - For EM74AHC1G125: CMOS level
 - For EM74AHCT1G125: TTL level
- ESD protection:
 - HBM ANSI/ESDA/JEDEC JS-001 Class 3A exceeds 7000 V
 - CDM ANSI/ESDA/JEDEC JS-002 Class C3 exceeds 2000 V
- Multiple package options

EM74AHC1G125; EM74AHCT1G125

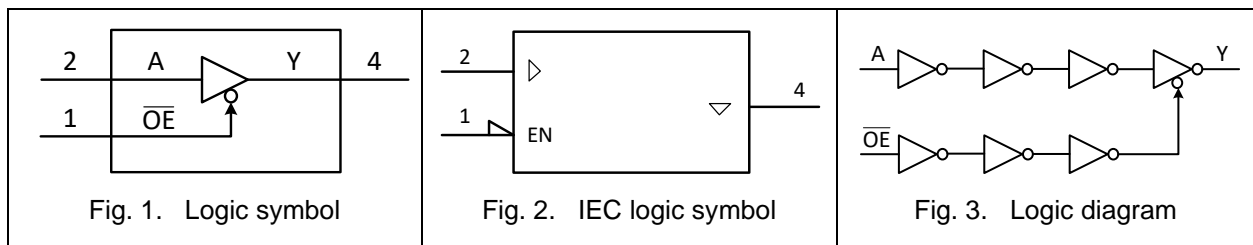
Bus buffer/line driver; 3-state

3. Ordering Information

Table 1. Ordering information

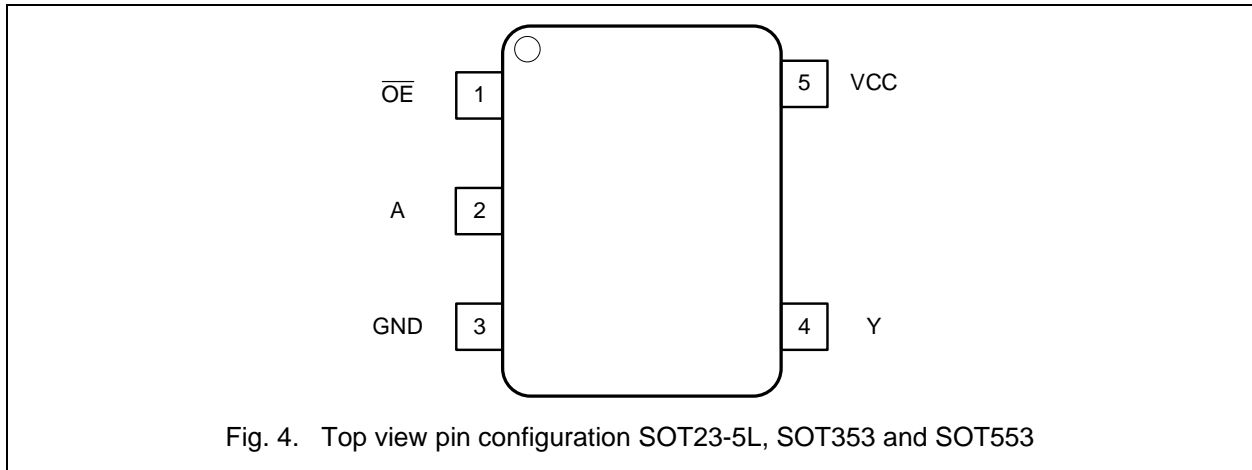
Type number	Topside marking	Package		
		Name	Description	Quantity
EM74AHC1G125GV	APYW	SOT23-5L	SOT23 package, 5 pins 2.92 mm × 1.6 mm; 1.25 mm (Max) height	3000
EM74AHCT1G125GV	CPYW			
EM74AHC1G125GW	APYW	SOT353	SOT353 package, 5 pins 2.1 mm × 1.25 mm; 1.1 mm (Max) height	3000
EM74AHCT1G125GW	CPYW			
EM74AHC1G125DRL	APYW	SOT553	SOT553 package, 5 pins 1.6 mm × 1.2 mm; 0.6 mm (Max) height	3000
EM74AHCT1G125DRL	CPYW			

4. Function Diagram



5. Pinning Information

5.1. Pinning



5.2. Pin description

Table 2. Pin description

Symbol	Pin	Description
\overline{OE}	1	Output enable input
A	2	Data input
GND	3	Ground (0V)
Y	4	Data output
V _{cc}	5	Supply voltage

6. Functional Description

Table 3. Function table

H = HIGH voltage level; L = LOW voltage level; X = don't care; Z = high-impedance OFF-state

Input		Output
\overline{OE}	A	Y
L	L	L
L	H	H
H	X	Z

EM74AHC1G125; EM74AHCT1G125

Bus buffer/line driver; 3-state

7. Absolute Maximum Ratings

Stresses exceeding the absolute maximum ratings may damage the device. The device may not function or be operable above the recommended operating conditions and stressing the parts to these levels is not recommended. In addition, extended exposure to stresses above the recommended operating conditions may affect device reliability. The absolute maximum ratings are stress ratings only.

Table 4. Absolute Maximum Ratings

In accordance with the Absolute Maximum Rating System (IEC 60134). Voltages are referenced to GND.

Symbol	Parameter	Conditions	Min	Max	Unit
V_{CC}	supply voltage		-0.5	7.0	V
V_I	input voltage		-0.5	7.0	V
I_{IK}	input clamping current	$V_I < -0.5\text{ V}$	-20		mA
I_{OK}	output clamping current	$V_O < -0.5\text{ V}$ or $V_O > V_{CC} + 0.5\text{ V}$ [1]		± 20	mA
I_O	output current	$-0.5\text{ V} < V_O < V_{CC} + 0.5\text{ V}$		± 25	mA
I_{CC}	supply current			75	mA
I_{GND}	ground current		-75		mA
P_{tot}	total power dissipation	$T_{amb} = -40\text{ }^\circ\text{C}$ to $+125\text{ }^\circ\text{C}$		250	mW
T_{stg}	storage temperature		-65	150	$^\circ\text{C}$

[1] The input and output voltage ratings may be exceeded if the input and output current ratings are observed.

8. Recommended Operating Conditions

The Recommended Operating Conditions table defines the conditions for actual device operation. Recommended operating conditions are specified to ensure optimal performance to the datasheet specifications. EnergyMath does not recommend exceeding them or designing to Absolute Maximum Ratings.

Table 5. Recommended Operating Conditions

Symbol	Parameter	Conditions	EM74AHC1G125			EM74AHCT1G125			Unit
			Min	Typ	Max	Min	Typ	Max	
V_{CC}	supply voltage		2.0	5.0	5.5	2.0	5.0	5.5	V
V_I	input voltage		0		5.5	0		5.5	V
V_O	output voltage		0		V_{CC}	0		V_{CC}	V
T_{amb}	ambient temperature		-40	25	125	-40	25	125	$^\circ\text{C}$
$\Delta t/\Delta V$	input transition rise and fall rate	$V_{CC} = 3.3\text{ V} \pm 0.3\text{ V}$			100			100	ns/V
		$V_{CC} = 5.0\text{ V} \pm 0.5\text{ V}$			20			20	ns/V

EM74AHC1G125; EM74AHCT1G125

Bus buffer/line driver; 3-state

9. Static Characteristics

Table 6. Static characteristics

At recommended operating conditions. Voltages are referenced to GND (ground = 0 V).

Symbol	Parameter	Conditions	-40 °C to +85 °C			-40 °C to +125 °C		Unit
			Min	Typ[1]	Max	Min	Max	
EM74AHC1G125								
V _{IH}	HIGH-level input voltage	V _{CC} = 2.0 V	1.5			1.5		V
		V _{CC} = 3.0 V	2.1			2.1		V
		V _{CC} = 5.5 V	3.85			3.85		V
V _{IL}	LOW-level input voltage	V _{CC} = 2.0 V			0.5		0.5	V
		V _{CC} = 3.0 V			0.9		0.9	V
		V _{CC} = 5.5 V			1.65		1.65	V
V _{OH}	HIGH-level output voltage	V _I = V _{IH} or V _{IL}						
		I _O = -50 μA; V _{CC} = 2.0 V	1.9	2.0		1.9		V
		I _O = -50 μA; V _{CC} = 3.0 V	2.9	3.0		2.9		V
		I _O = -50 μA; V _{CC} = 4.5 V	4.4	4.5		4.4		V
		I _O = -4.0 mA; V _{CC} = 3.0 V	2.48	2.93		2.40		V
		I _O = -8.0 mA; V _{CC} = 4.5 V	3.80	4.39		3.70		V
V _{OL}	LOW-level output voltage	V _I = V _{IH} or V _{IL}						
		I _O = 50 μA; V _{CC} = 2.0 V		0	0.1		0.1	V
		I _O = 50 μA; V _{CC} = 3.0 V		0	0.1		0.1	V
		I _O = 50 μA; V _{CC} = 4.5 V		0	0.1		0.1	V
		I _O = 4.0 mA; V _{CC} = 3.0 V		0.05	0.44		0.55	V
		I _O = 8.0 mA; V _{CC} = 4.5 V		0.07	0.44		0.55	V
I _{OZ}	OFF-state output current	V _{CC} = 5.5 V; V _I = V _{CC} or GND		0.01	2.5		10	μA
I _I	input leakage current	V _I = 5.5 V or GND ; V _{CC} = 0 V to 5.5 V		±0.01	±1.0		±2.0	μA
I _{CC}	supply current	V _I = V _{CC} or GND ; I _O = 0 A ; V _{CC} = 5.5 V		0.01	10		40	μA
C _I	input capacitance			3.5				pF

EM74AHC1G125; EM74AHCT1G125

Bus buffer/line driver; 3-state

Symbol	Parameter	Conditions	-40 °C to +85 °C			-40 °C to +125 °C		Unit
			Min	Typ[1]	Max	Min	Max	
EM74AHCT1G125								
V _{IH}	HIGH-level input voltage	V _{CC} = 2.0 V	1.0			1.0		V
		V _{CC} = 3.3 V	1.5			1.5		V
		V _{CC} = 4.5 V to 5.5 V	2.0			2.0		V
V _{IL}	LOW-level input voltage	V _{CC} = 2.0 V			0.3		0.3	V
		V _{CC} = 3.3 V			0.55		0.55	V
		V _{CC} = 4.5 V to 5.5 V			0.8		0.8	V
V _{OH}	HIGH-level output voltage	V _I = V _{IH} or V _{IL} ;						
		I _O = -50 μA; V _{CC} = 2.0 V	1.9	2.0		1.9		V
		I _O = -50 μA; V _{CC} = 3.0 V	2.9	3.0		2.9		V
		I _O = -50 μA; V _{CC} = 4.5 V	4.4	4.5		4.4		V
		I _O = -4.0 mA; V _{CC} = 3.0 V	2.48	2.93		2.4		V
		I _O = -8.0 mA; V _{CC} = 4.5 V	3.80	4.39		3.70		V
V _{OL}	LOW-level output voltage	V _I = V _{IH} or V _{IL} ;						
		I _O = 50 μA; V _{CC} = 2.0 V		0	0.1		0.1	V
		I _O = 50 μA; V _{CC} = 3.0 V		0	0.1		0.1	V
		I _O = 50 μA; V _{CC} = 4.5 V		0	0.1		0.1	V
		I _O = 4.0 mA; V _{CC} = 3.0 V		0.05	0.44		0.55	V
		I _O = 8.0 mA; V _{CC} = 4.5 V		0.07	0.44		0.55	V
I _{OZ}	OFF-state output current	V _{CC} = 5.5 V; V _I = V _{CC} or GND		0.01	2.5		10	μA
I _I	input leakage current	V _I = 5.5 V or GND ; V _{CC} = 0 V to 5.5 V		±0.01	±1.0		±2.0	μA
I _{CC}	supply current	V _I = V _{CC} or GND ; I _O = 0 A ; V _{CC} = 5.5 V		0.01	10		40	μA
ΔI _{CC}	additional supply current	per input pin ; V _I = 3.4 V; other inputs at V _{CC} or GND; I _O = 0 A; V _{CC} = 5.5 V		0.23	1.35		1.35	mA
C _I	input capacitance			3.5				pF

[1]All typical values are measured at T_{amb} = 25°C.

EM74AHC1G125; EM74AHCT1G125

Bus buffer/line driver; 3-state

10. Dynamic Characteristics

Table 7. Dynamic characteristics

Voltages are referenced to GND (ground = 0 V); for test circuit see Fig. 7.

Symbol	Parameter	Conditions	-40 °C to +85 °C			-40 °C to +125 °C		Unit
			Min	Typ[1]	Max	Min	Max	
EM74AHC1G125								
t _{pd}	propagation delay	A to Y; see Fig. 5 [2]						
		V _{CC} = 3.0 V to 3.6 V, C _L = 15 pF	1.0	5.7	8.5	1.0	9.0	ns
		V _{CC} = 4.5 V to 5.5 V, C _L = 15 pF	1.0	3.9	5.5	1.0	6.0	ns
t _{en}	enable time	$\overline{\text{OE}}$ to Y; see Fig. 6 [2]						
		V _{CC} = 3.0 V to 3.6 V, C _L = 15 pF	1.0	6.3	10.0	1.0	11.0	ns
		V _{CC} = 4.5 V to 5.5 V, C _L = 15 pF	1.0	4.5	6.5	1.0	7.0	ns
t _{dis}	disable time	$\overline{\text{OE}}$ to Y; see Fig. 6 [2]						
		V _{CC} = 3.0 V to 3.6 V, C _L = 15 pF	1.0	4.7	14.0	1.0	14.5	ns
		V _{CC} = 4.5 V to 5.5 V, C _L = 15 pF	1.0	3.9	7.5	1.0	8.0	ns
C _{PD}	power dissipation capacitance	C _L = 15 pF; f = 1MHz; V _I = GND to V _{CC} ; [3]		20				pF
EM74AHCT1G125								
t _{pd}	propagation delay	A to Y; see Fig. 5 [2]						
		V _{CC} = 2.0 V, C _L = 15 pF		44				ns
		V _{CC} = 3.3 V, C _L = 15 pF	2.0	5.5	12.5	2.0	13.0	ns
		V _{CC} = 4.5 V to 5.5 V, C _L = 15 pF	1.0	5.0	7.5	1.0	8.0	ns
t _{en}	enable time	$\overline{\text{OE}}$ to Y; see Fig. 6 [2]						
		V _{CC} = 2.0 V, C _L = 15 pF		79				ns
		V _{CC} = 3.3 V, C _L = 15 pF	7.0	12.9	17.0	7.0	17.5	ns
		V _{CC} = 4.5 V to 5.5 V, C _L = 15 pF	4.0	8.1	11	4.0	11.5	ns
t _{dis}	disable time	$\overline{\text{OE}}$ to Y; see Fig. 6 [2]						
		V _{CC} = 2.0 V, C _L = 15 pF		12				ns
		V _{CC} = 3.3 V, C _L = 15 pF	3.0	6.4	9.5	3.0	10.0	ns
		V _{CC} = 4.5 V to 5.5 V, C _L = 15 pF	2.0	4.1	6.5	2.0	7.0	ns
C _{PD}	power dissipation capacitance	C _L = 15 pF; f = 1MHz; V _I = GND to V _{CC} ; [3]		21				pF

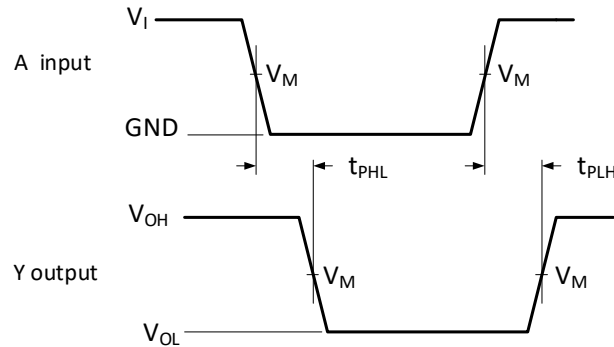
[1] Typical values are measured at T_{amb} = 25 °C and V_{CC} = 2.0 V, 3.3 V and 5.0 V respectively.

EM74AHC1G125; EM74AHCT1G125

Bus buffer/line driver; 3-state

- [2] t_{pd} is the same as t_{PLH} and t_{PHL} .
 t_{en} is the same as t_{PZL} and t_{PZH} .
 t_{dis} is the same as t_{PZL} and t_{PZH} .
- [3] C_{PD} is used to determine the dynamic power dissipation (P_D in μW).
 $P_D = C_{PD} \times V_{CC}^2 \times f_i \times N + \Sigma(C_L \times V_{CC}^2 \times f_o)$ where:
 f_i = input frequency in MHz;
 f_o = output frequency in MHz;
 C_L = output load capacitance in pF;
 V_{CC} = supply voltage in V;
 N = number of inputs switching;
 $\Sigma(C_L \times V_{CC}^2 \times f_o)$ = sum of outputs.

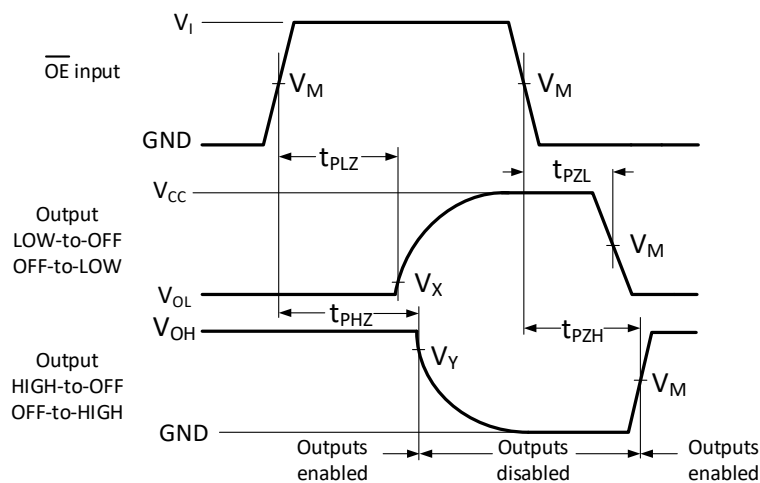
10.1. Waveforms and test circuit



Measurement points are given in Table 8.

V_{OL} and V_{OH} are typical output voltage levels that occur with the output load.

Fig. 5. The input A to output Y propagation delays



Measurement points are given in Table 8.

V_{OL} and V_{OH} are typical output voltage levels that occur with the output load.

Fig. 6. 3-state enable and disable times

EM74AHC1G125; EM74AHCT1G125

Bus buffer/line driver; 3-state

Table 8. Measurement points

Type	Supply Voltage	Input		Output		
	V _{CC}	V _I	V _M	V _M	V _X	V _Y
EM74AHC1G125	3.0 V - 5.5 V	GND to V _{CC}	0.5 x V _{CC}	0.5 x V _{CC}	V _{OL} + 0.3 V	V _{OH} - 0.3 V
EM74AHCT1G125	2.0 V	GND to V _{CC}	0.5 x V _{CC}	0.5 x V _{CC}	V _{OL} + 0.15 V	V _{OH} - 0.15 V
	3.3 V	GND to 3.0 V	1.5 V	0.5 x V _{CC}	V _{OL} + 0.3 V	V _{OH} - 0.3 V
	4.5 V - 5.5 V	GND to 3.0 V	1.5 V	0.5 x V _{CC}	V _{OL} + 0.3 V	V _{OH} - 0.3 V

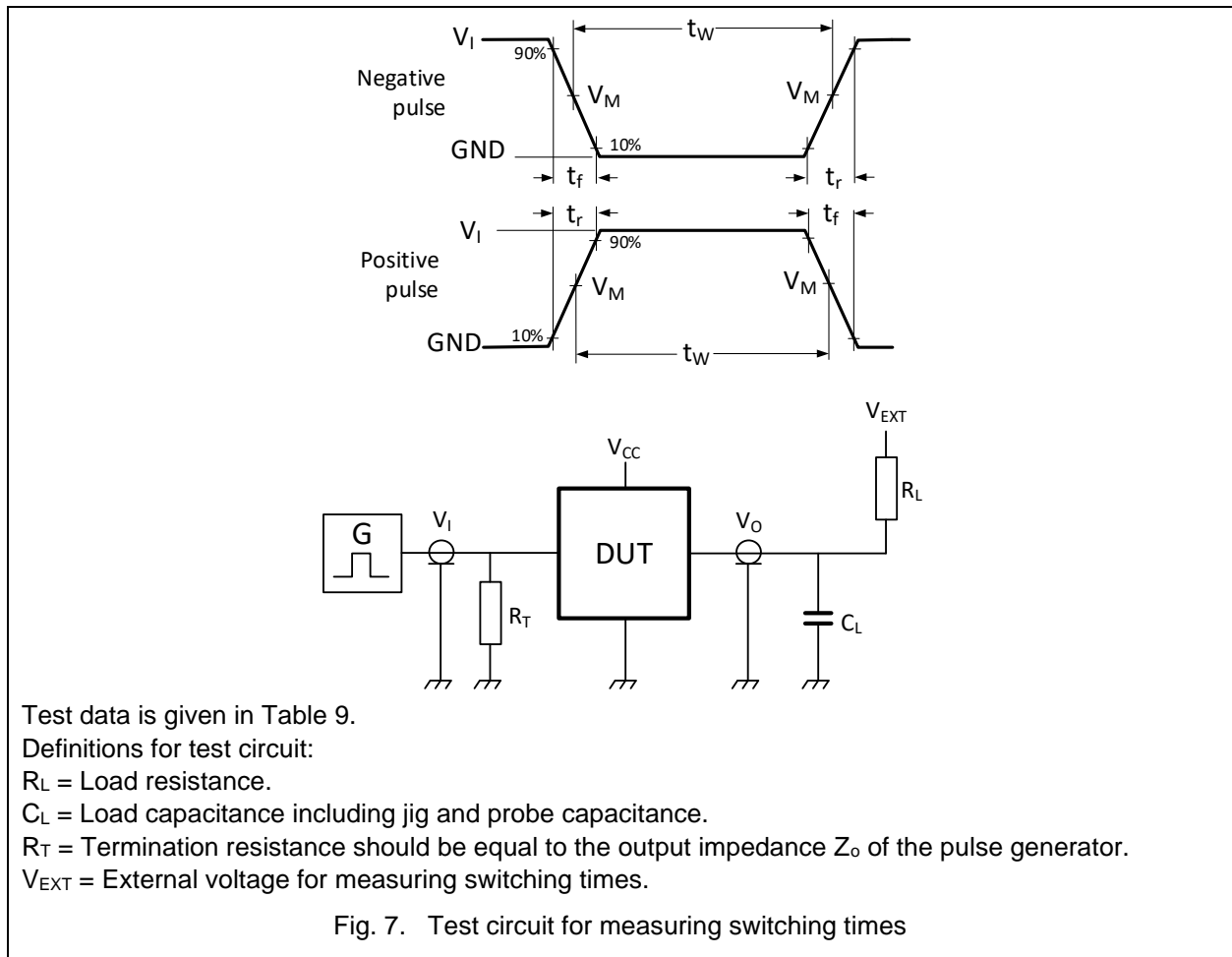
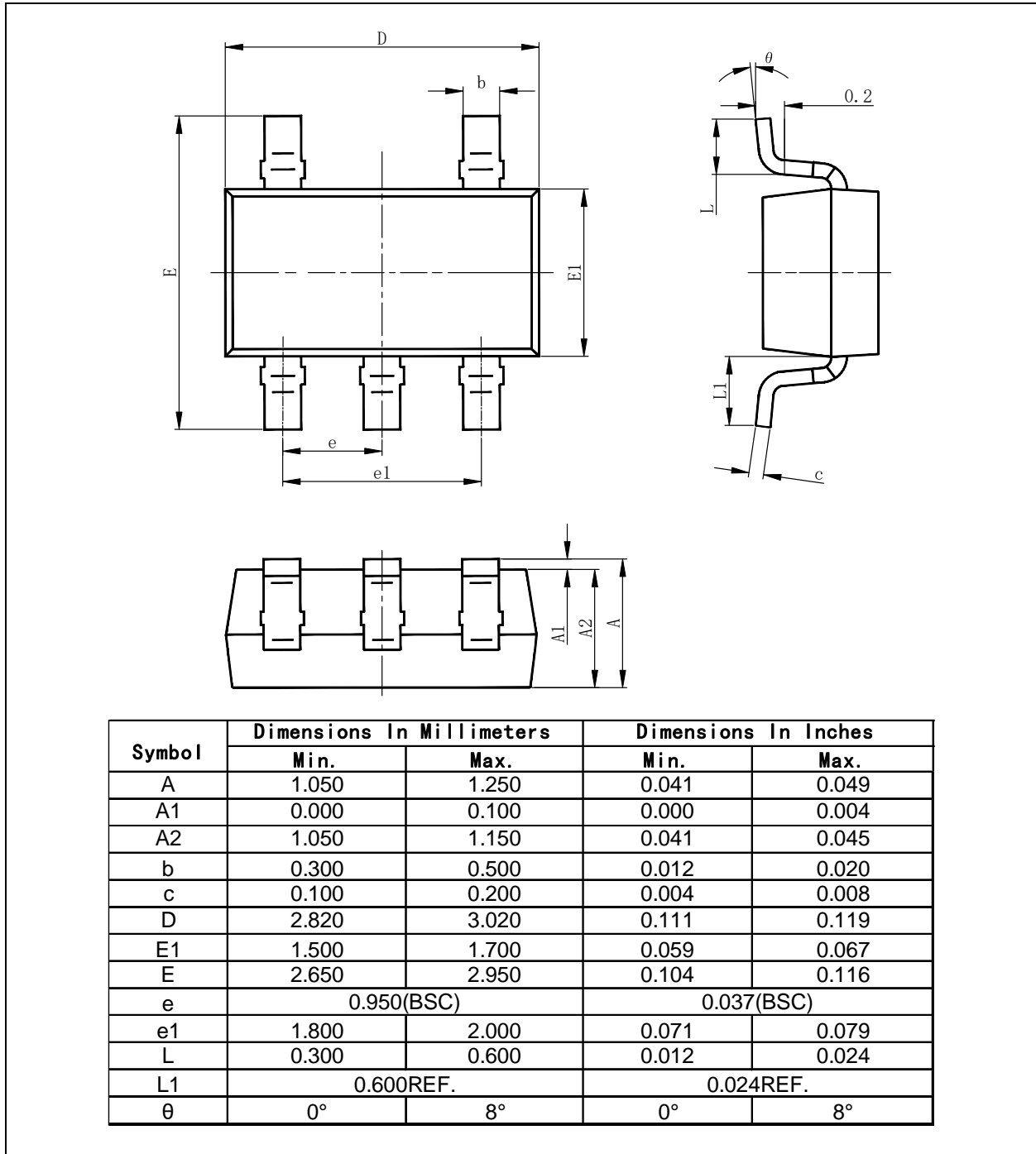


Table 9. Test data

Type	Input	Load		V _{EXT}		
	t _r = t _f	C _L	R _L	t _{PLH} , t _{PHL}	t _{PZH} , t _{PHZ}	t _{PZL} , t _{PLZ}
EM74AHC1G125	≤ 2.5 ns	15 pF	500 Ω	open	GND	V _{CC}
EM74AHCT1G125	≤ 2.5 ns	15 pF	500 Ω	open	GND	V _{CC}

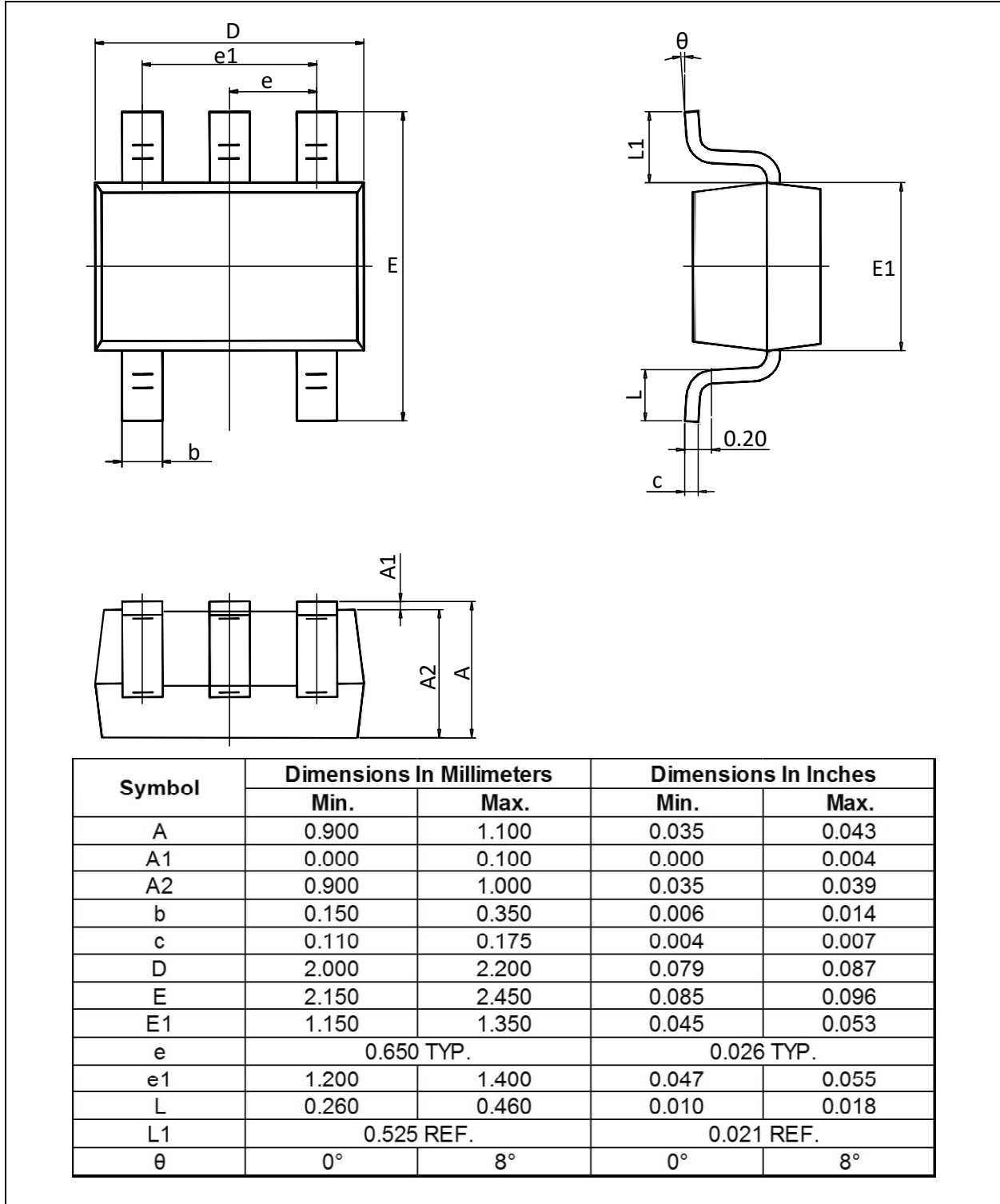
11. Package Outline

SOT23-5L


EM74AHC1G125; EM74AHCT1G125

Bus buffer/line driver; 3-state

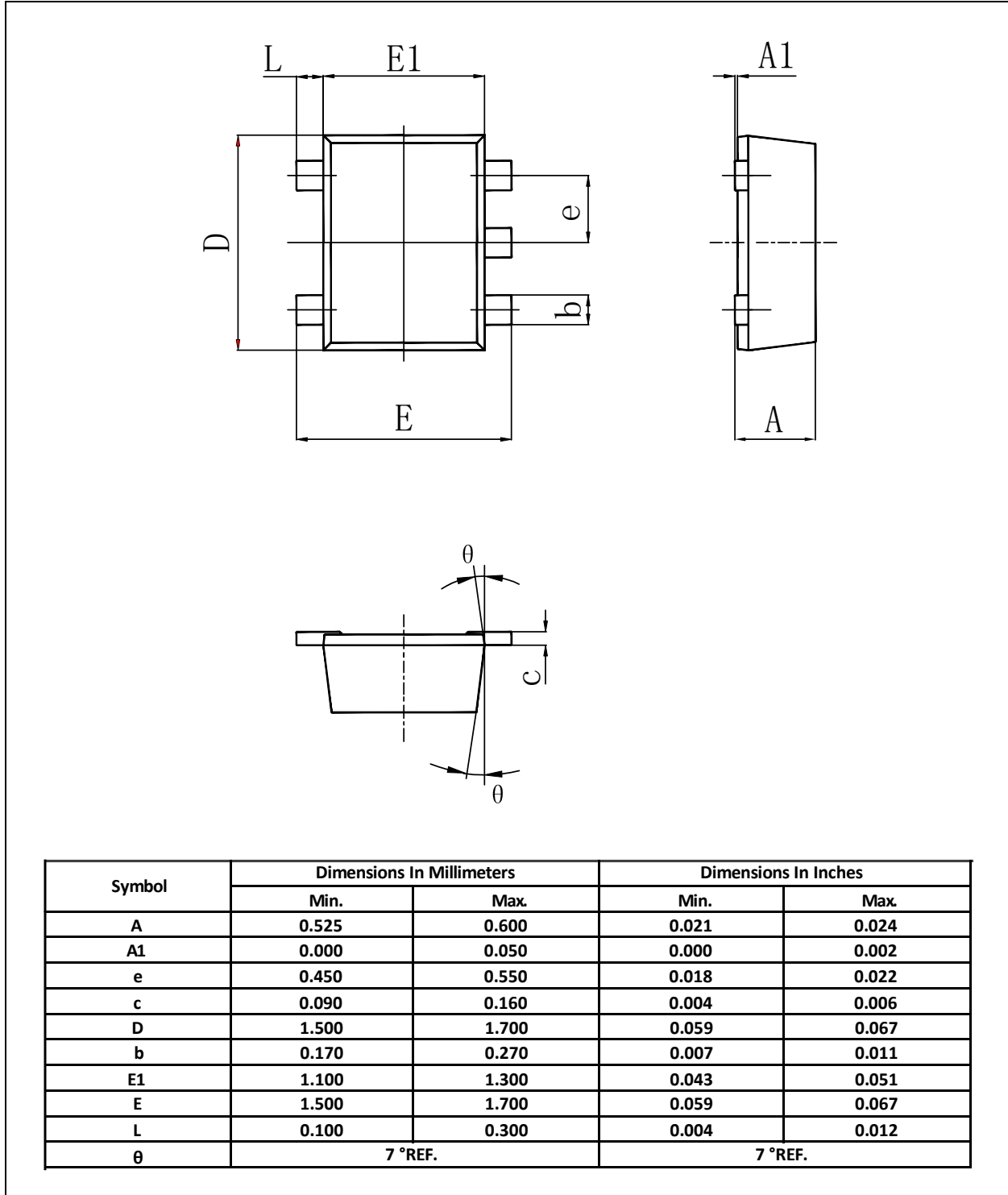
SOT353



EM74AHC1G125; EM74AHCT1G125

Bus buffer/line driver; 3-state

SOT553



12. Abbreviations

Table 10. Abbreviations

Acronym	Description
CMOS	Complementary Metal-Oxide Semiconductor
DUT	Device Under Test
ESD	ElectroStatic Discharge
HBM	Human Body Model
CDM	Charged Device Model
TTL	Transistor-Transistor Logic

13. Revision History

Table 11. Revision history

Document ID	Release Date	Data sheet status	Change notice	Supersedes
EM74AHC_AHCT1G125 Rev. 1.2	Aug 22, 2024	Product datasheet		EM74AHC_AHCT1G125 Rev. 1.1
Modifications:	<ul style="list-style-type: none"> Section 2: ESD protection HBM updated. Table 6: C_i updated. Table 7: t_{pd} and C_{PD} updated. 			
EM74AHC_AHCT1G125 Rev. 1.1	May 22, 2024	Product datasheet		EM74AHC_AHCT1G125 Rev. 1.0
Modifications:	<ul style="list-style-type: none"> Change the supply voltage range of EM74AHCT1G125 			
EM74AHC_AHCT1G125 Rev. 1.0	Apr 20, 2024	Product datasheet		