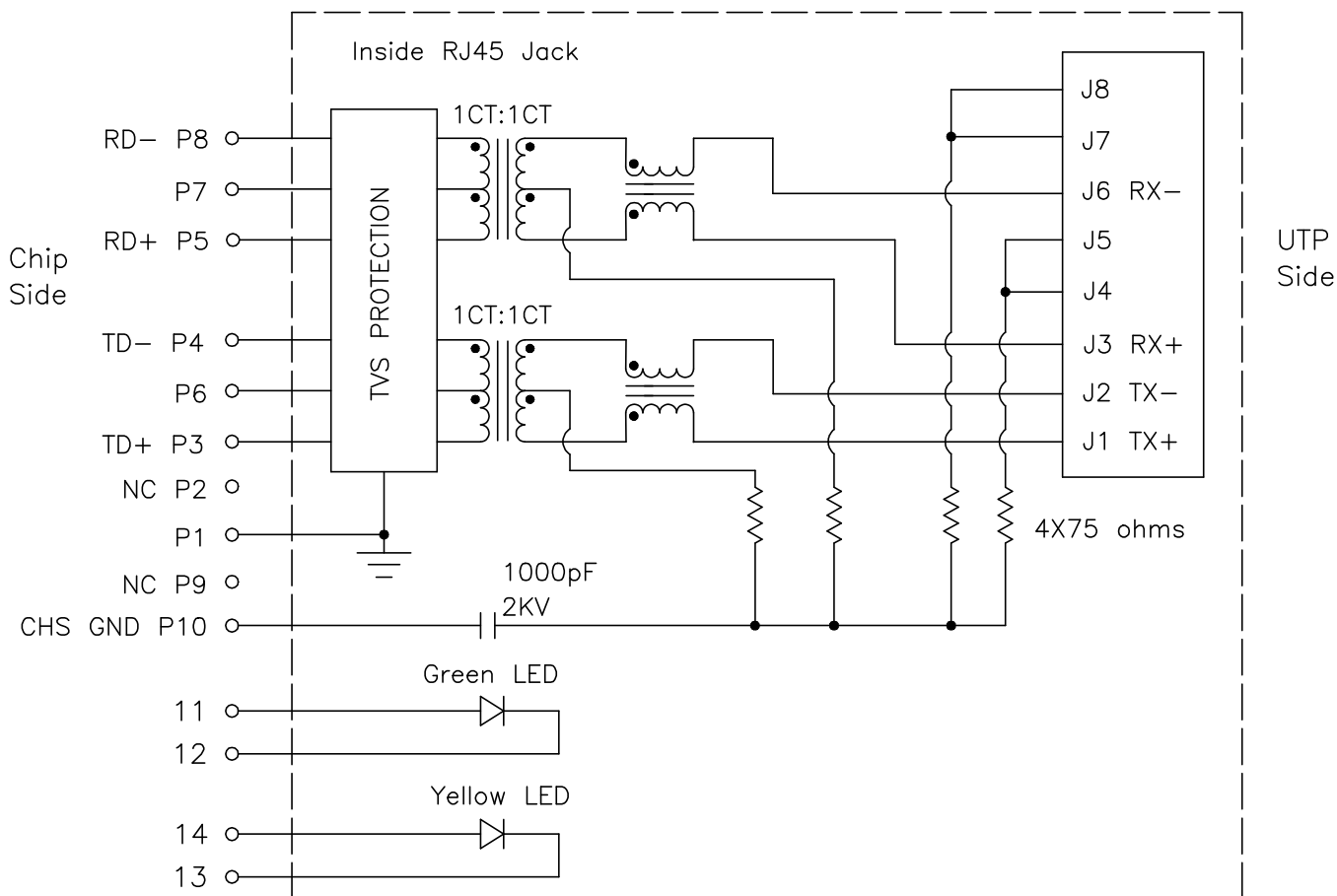


**HR871155A**

**Electrical Specification @25°C**

RoHS Compliant (PB Free)  
 Operating Temperature Range: 0°C ~ +70°C  
 Isolation: 1500Vrms 0.5mA 60sec (J1~8 to P1~8)  
 OCL: 350uH Minimum @100KHz 100mV with 8mADC  
 Insertion Loss: -1.0dB Maximum @300KHz ~ 100MHz  
 Return Loss: -20dB Minimum @1MHz ~ 10MHz / -16dB Minimum @10MHz ~ 30MHz  
                   -12dB Minimum @30MHz ~ 60MHz / -10dB Minimum @60MHz ~ 80MHz  
 Common Mode Rejection: -30dB Minimum @1MHz ~ 50MHz  
                                   -20dB Minimum @50MHz ~ 150MHz  
 Crosstalk: -40dB Minimum @1MHz ~ 30MHz / -35dB Minimum @30MHz ~ 60MHz  
                   -30dB Minimum @60MHz ~ 100MHz  
 HBM ESD level 3A

**Schematics**

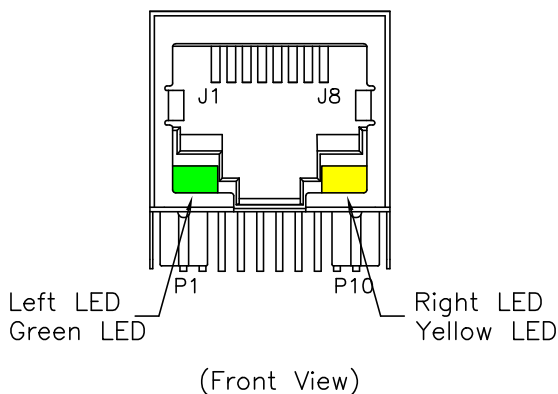
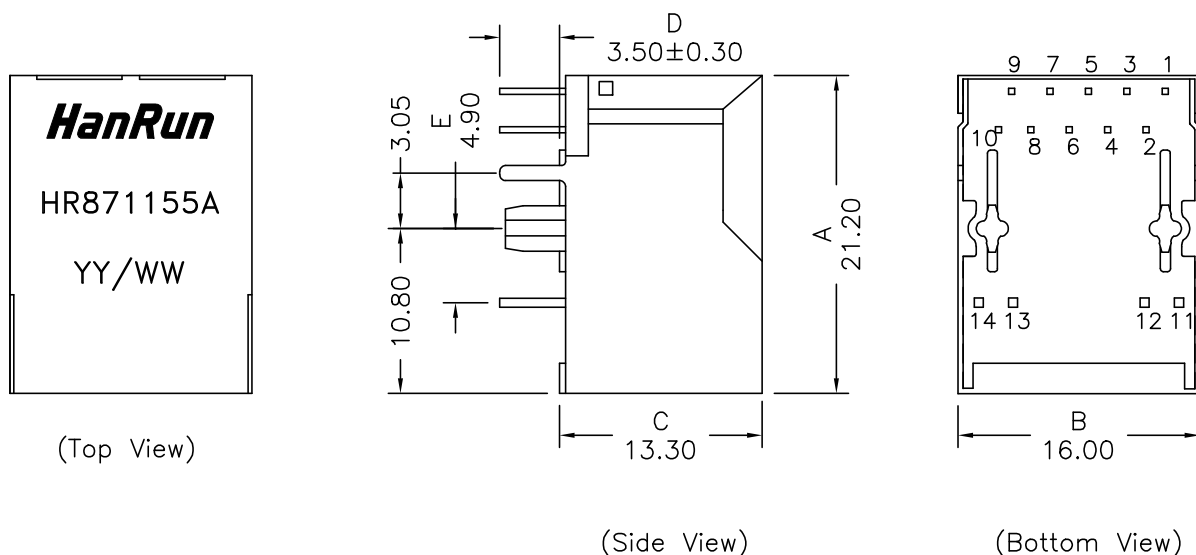


Notes: Connect CHS GND to PCB Ground

**HR871155A**

- RoHS Compliant (Pb Free)
- Designed for Network Interface Card Application
- Meets or Exceeds IEEE802.3 standards including 350uH Min OCL with 8mADC
- High performance for EMI suppression, Crosstalk, Return Loss and Consistent Electrical
- Minimum 1500Vrms isolation per IEEE802.3 requirement
- Minimize PCB space and Simplify PCB Layout
- Less magnetic components to place on PCB, Higher reliability and yields
- UL Recognized Component: File # E330599

Mechanical Dimensions:



Standard LED	Wavelength	Forward V (Min/Max)	Forward A	Type
Green	568nm	1.8V/2.8V	20mA	squareness
Yellow	585nm	1.8V/2.8V	20mA	squareness

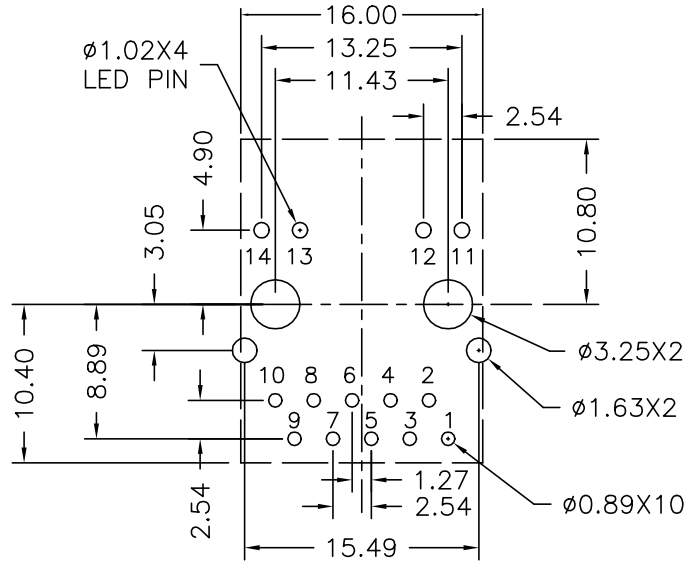
Dimensions in mm

Unless otherwise specified, Tolerance: .xx ±0.25

REV.: 05

**HR871155A**

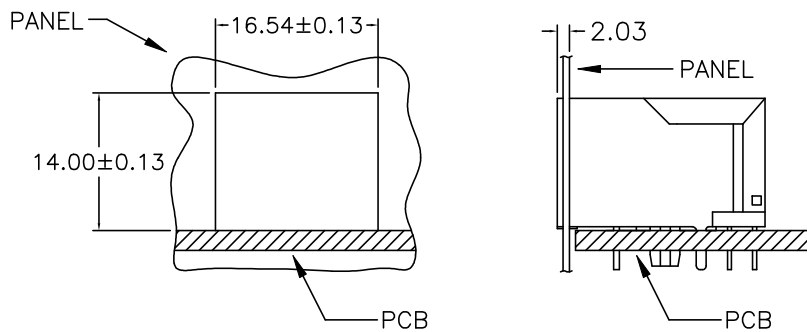
PCB Layout:



Recommended PCB layout (Component Side View)

All dimension tolerance are  $\pm 0.08$  unless otherwise specified

Suggested Panel Cutout:



SUGGESTED PANEL OPENING

Unless otherwise specified, Tolerance: .xx  $\pm 0.25$

REV.: 05

## HR871155A

### Material Specification:

Housing: PA66 GF Black UL94V-0  
Shield: 30u" Nickel over 0.20mm Thickness Brass  
Insert: PA66 GF Black UL94V-0  
Phosphor Bronze 0.35mm Thickness  
Plating Area, 30u" gold over 50u" nickel  
Solder Area, 100u" tin over 50u" nickel

### Mechanical Performance:

Mating force: 5 lbs Maximum  
Unmating force: 5 lbs Maximum  
Plug to Jack Retention force: 12 lbs Minimum  
Operating life: 750 Cycles Minimum

### Operating and Storage Temperature:

Operating Temperature Range: 0°C ~ +70°C  
Storage Temperature Range: -40°C ~ +85°C