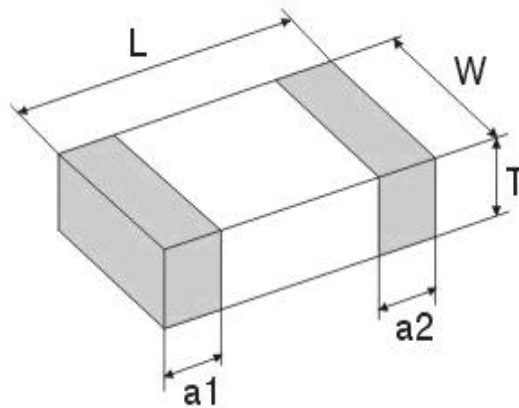


1 Product Identification

GDPZ 3216 M 221 3A0 T F
 ① ② ③ ④ ⑤ ⑥ ⑦

- ① Product Symbol
- ② Dimensions
- ③ Material Code
- ④ Impedance (221: 220Ω)
- ⑤ IR* (3A0: 3.0A)
- ⑥ Packaging Style (B: Bulk; T: Tape & Reel)
- ⑦ Lead Free

2 Appearance, Dimensions



Type	Dimensions (mm) [inch]			
	L	W	T	a1, a2
3216 (1206)	3.2±0.20	1.6±0.20	0.8±0.20	0.50±0.30

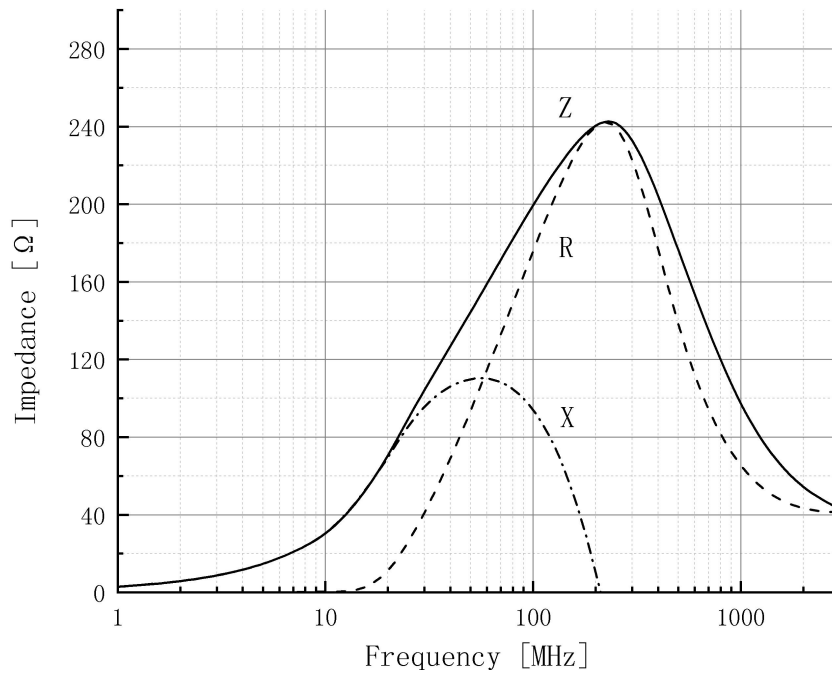


3 Rating

Operating Temperature Range : -55 to +125°C

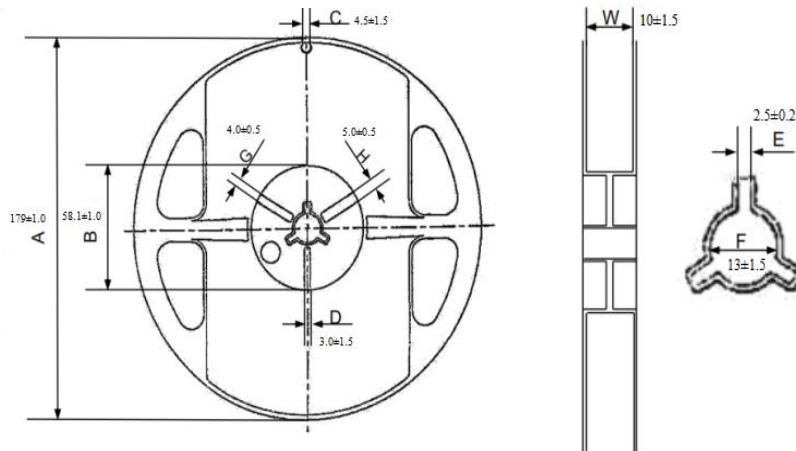
Part No.	Impedance(Ω)	Test Freq. (MHz)	RDC (Ω) max	IR*(mA) max
GDPZ3216M221-3A0TF	220 \pm 25%	100	0.050	3000

4 Curve

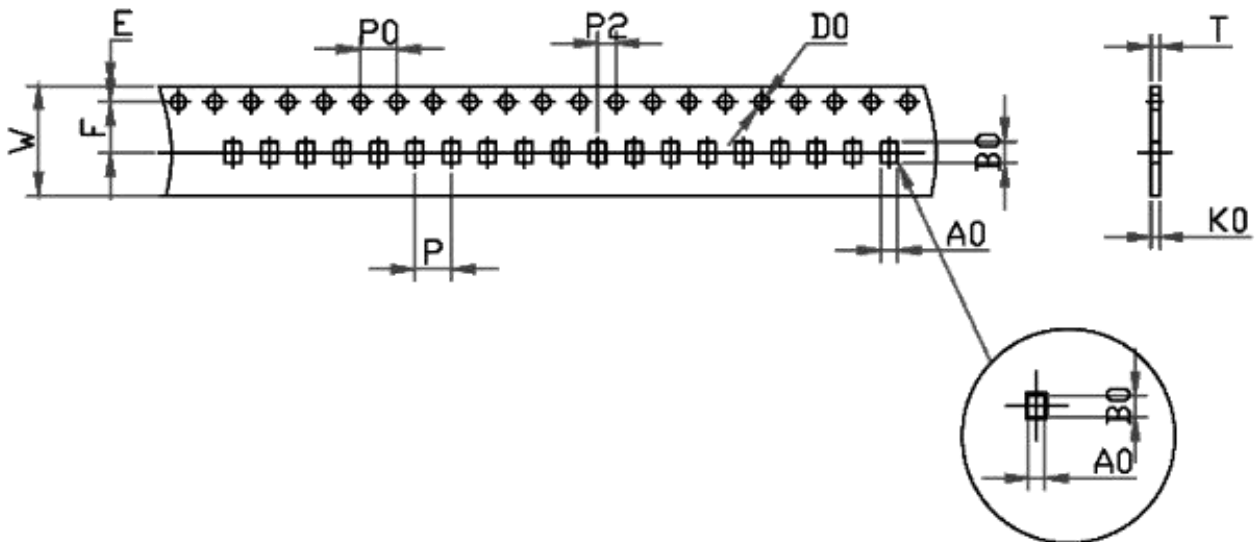


5 Packaging

(1) Dimensions of Reel (mm)



(2) Dimensions of Tape (mm):



W	A0	B0	K0	P	F	E	D	P0	P2	t	Packaging quantity
8.0 ±0.3	1.9 ±0.03	3.45 ±0.03	0.95 ±0.1	4.0 ±0.05	3.5 ±0.1	1.75 ±0.1	1.5+ 0.1/-0.0	4.0 ±0.1	2.0 ±0.1	0.95 ±0.03	4000PCS/REEL