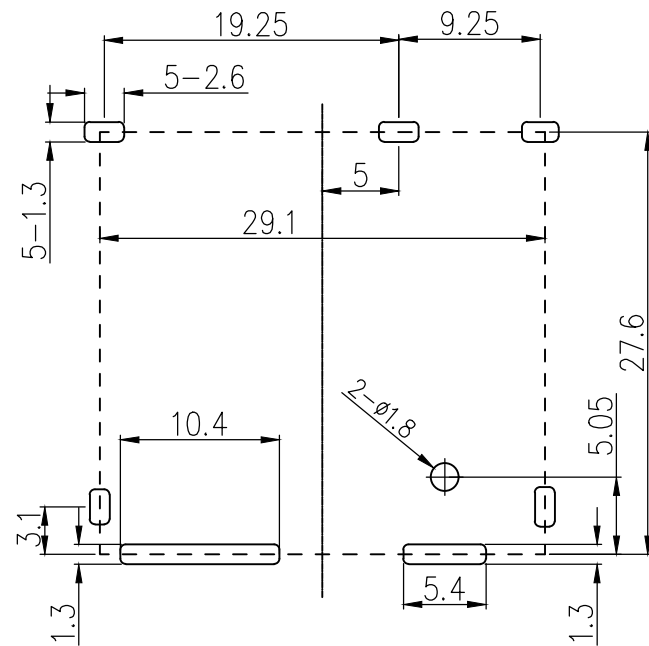
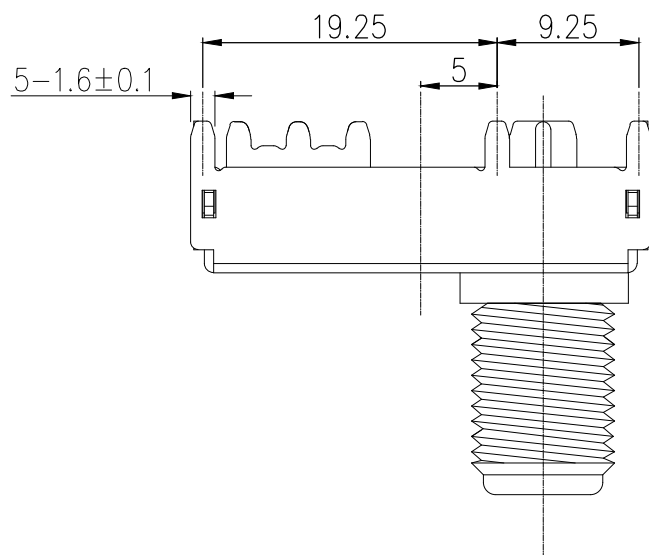
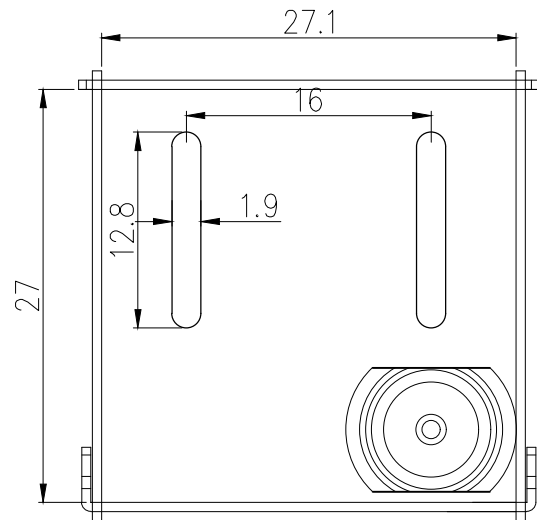
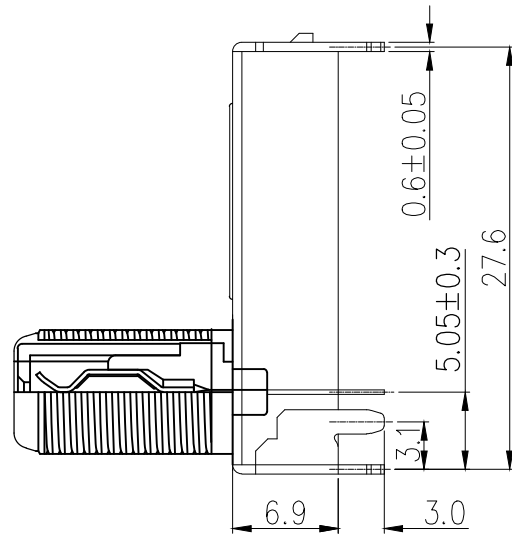
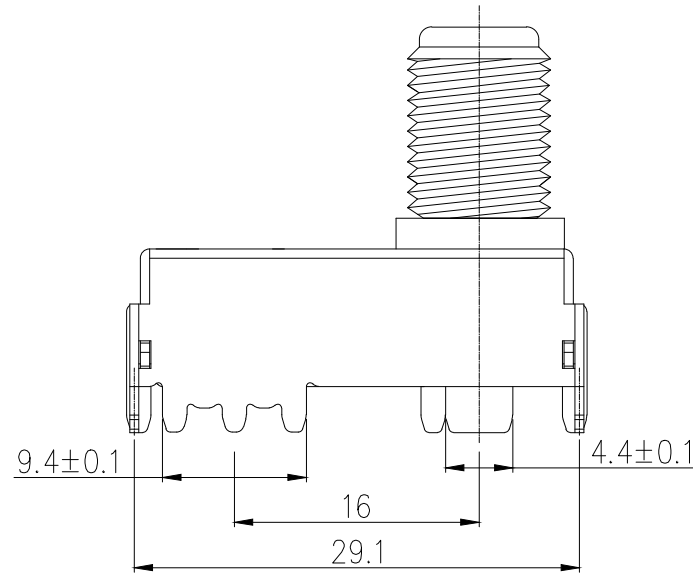


| 标记<br>MARK | ECN编号/变更内容<br>ECN_NO/DEFINITION | 修改<br>REVISE | 日期<br>DATE | 核准<br>APPROVE |
|------------|---------------------------------|--------------|------------|---------------|
|            |                                 |              |            |               |
|            |                                 |              |            |               |



PCB Layout

SPECIFICATION (技术要求)

1. Operating Temperature (环境温度): -25°C ~ 85°C
2. Voltage Rating (额定电压): 50V AC/DC
3. Current Rating (额定电流): 0.5A
4. Contact Resistance (接触电阻): 30mΩ
5. Insulation Resistance (绝缘电阻): 100MΩ
6. Dielectric Withstanding Voltage (耐电压): 500V AC Min
7. Insertion/Withdrawal Force (插拔力): 3-50N
8. Life Time (mating cycles) 寿命: >1000 Cycles
9. SIGNAL LOSS < 1dB IN BOTH VHF, UHF BAND.
10. NOMINAL IMPEDANCE : 75 OHMS.
11. OPERATING FREQUENCY : 0-2 GHZ.

| 3  | F头  | 锌合金 | D. Ni   |    |
|----|-----|-----|---------|----|
| 2  | 支架  | 冷扎板 | D. CuSn |    |
| 1  | 绝缘体 | PPS | 棕色      |    |
| 序号 | 品名  | 材质  | 电镀/颜色   | 备注 |

|                                       |              |               |               |               |      |
|---------------------------------------|--------------|---------------|---------------|---------------|------|
|                                       | 深圳市虹成电子有限公司  |               | 品名<br>TITLE   | 屏蔽罩           |      |
|                                       |              |               | 料号<br>PART NO | HC-PBZ-R10603 |      |
| GENERAL TOLERANCES (UNLESS SPECIFIED) |              | 比列<br>SCALE   | 1:1           |               |      |
| .XX±0.20                              | X±0.40       | 单位<br>UNIT    | MM            | 制图<br>DRAW    | AhYe |
| .X±0.30                               | ANGULAR: ±5° | 张数<br>PART NO | 1 OF 1        | 审核<br>CHECKED | 夏操云  |
|                                       |              | 版本<br>REV     | A             | 批准<br>APPROVE | 赵亮亮  |

