



汇隆电子(金华)有限公司  
HUILONG ELECTRONIC (JINHUA) CO.,LTD

**SPECIFICATION FOR APPROVAL**

CUSTOMER \_\_\_\_\_




NOMINAL FREQUENCY \_\_\_\_\_ 26.000000 MHz \_\_\_\_\_

HOLDER TYPE \_\_\_\_\_ 5032 \_\_\_\_\_

SPEC. NO. ( P/N ) \_\_\_\_\_ HY26000032 \_\_\_\_\_

CUSTOMER P/N \_\_\_\_\_

ISSUE DATE \_\_\_\_\_ Oct.21,2022 \_\_\_\_\_

APPROVED	PREPARED	QA
		
<b>APPROVED BY CUSTOMER:</b>		<b>AVL Status</b>
Please return one copy with approval to HLC		

浙江省金华市经济开发区工业园区秋涛北街399号  
 No.399 Qiutao North Str., Industrial Area, Economic  
 Development Zone, Jinhua, Zhejiang, China  
 TEL: 0086-579-82273331  
 FAX: 0086-579-82273198  
<http://www.cn-hlc.com>



ISO9001  
 ISO14001



RoHS Compliant ( Pb- Free )



# TYPE HY SEAM SEALED X'TAL

## ELECTRICAL SPECIFICATIONS

HLC Parts Number : HY26000032

Item	Symbol	Specifications				Notes
		Min	Type	Max	Units	
Nominal frequency	FO	26.000000			MHz	
Mode of Oscillation	OT	Fundamental				
Load Capacitance	LC	13			pF	
Frequency Tolerance	FT	$\pm 30$			ppm	at 25°C $\pm 3^\circ\text{C}$
Frequency Stability		$\pm 50$			ppm	with working temperature Reference to 25°C
Working temperature range	TR	-20~70			°C	
Drive Level	DL	100			$\mu\text{W}$	
Series Resonant Resistance RR	CI/RR	40			$\Omega$	Max.
Insulation Resistance	IR	>500			M $\Omega$	
Shunt Capacitance C0	C0	7			pF	Max.
Aging		$\pm 3$			ppm/yr.	
Storage temperature range		-55~ 125			°C	
Unit Weight					g	

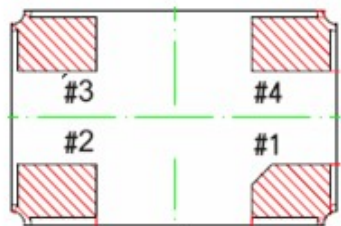
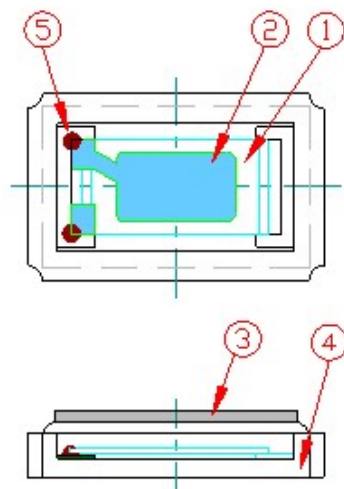
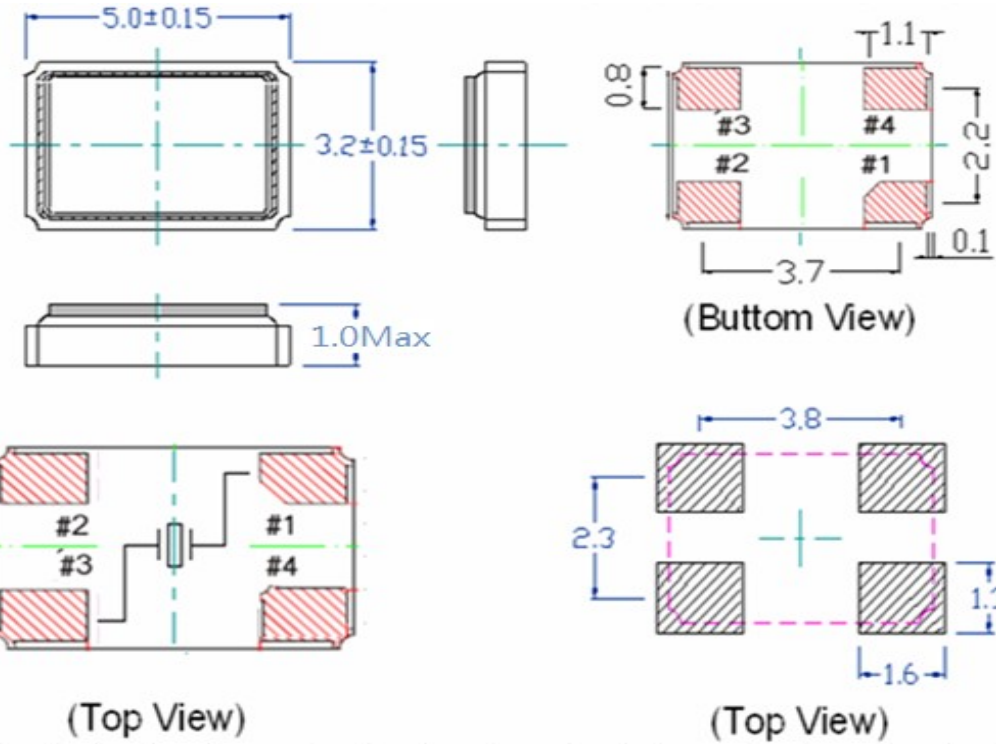






# TYPE HY SEAM SEALED X'TAL

## DIMENSIONS



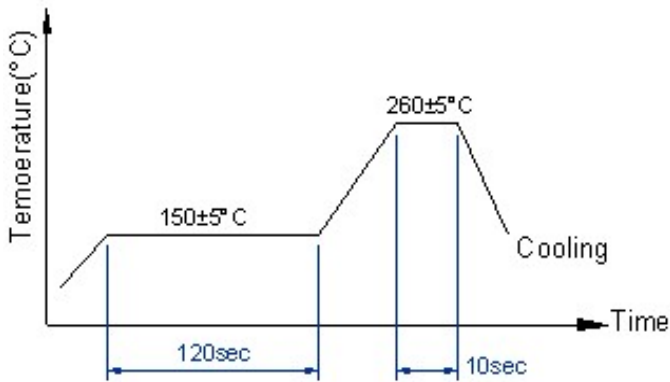
1	Quartz Blank
2	Electrode
3	Lid
4	Base
5	Conductive adhesive

**HUILONG ELECTRONIC (JINHUA) CO.,LTD**



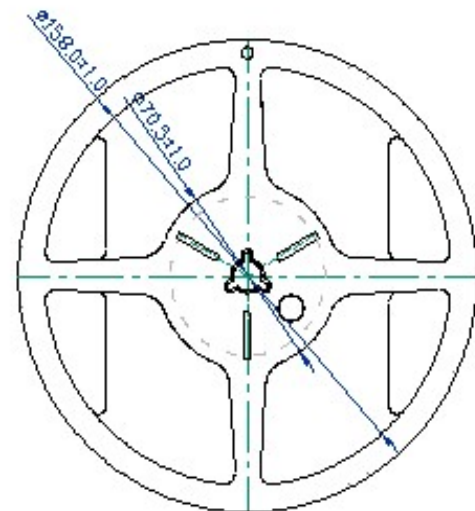
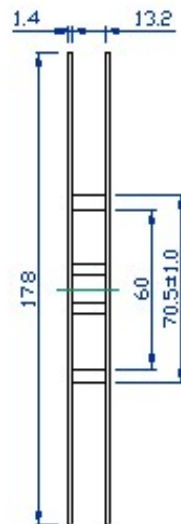
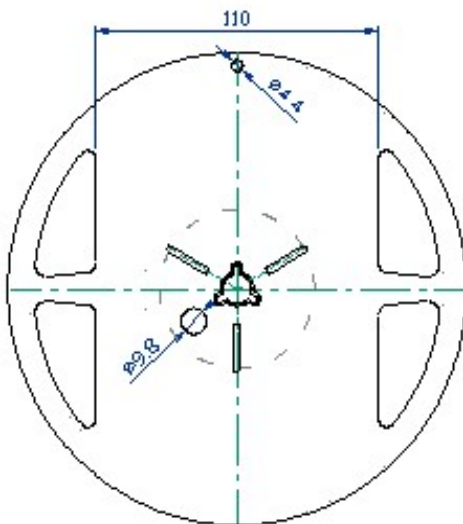
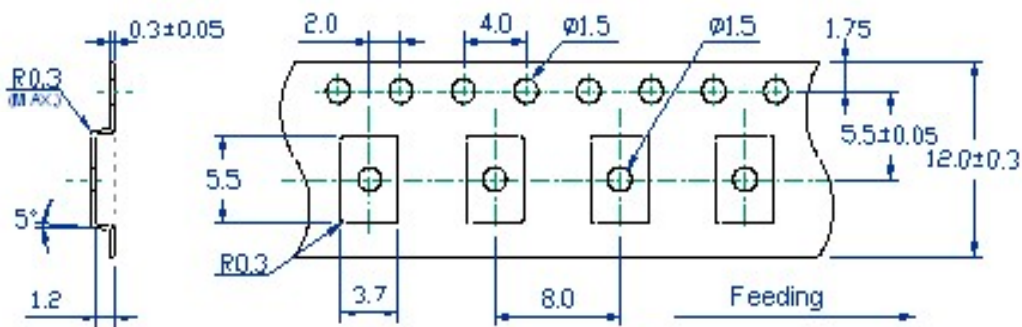
# TYPE HY SEAM SEALED X'TAL

## SUGGESTED IR REFLOW PROFILE



Total Time: 200 Sec.Max  
Solder melting point : 185°C

## PACKING



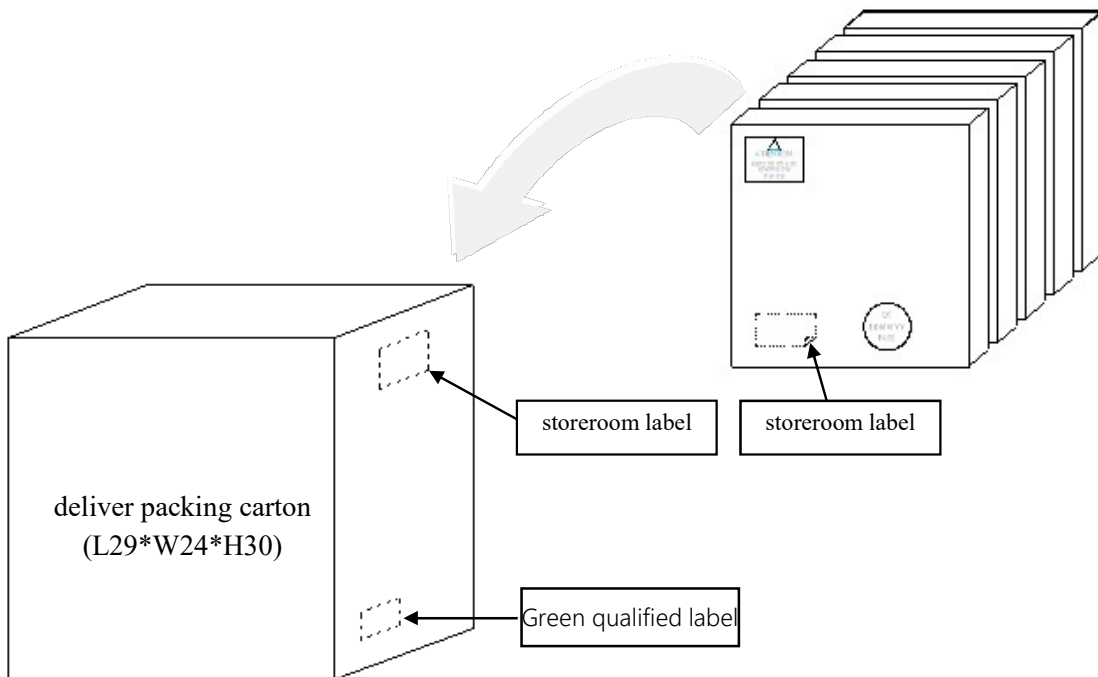
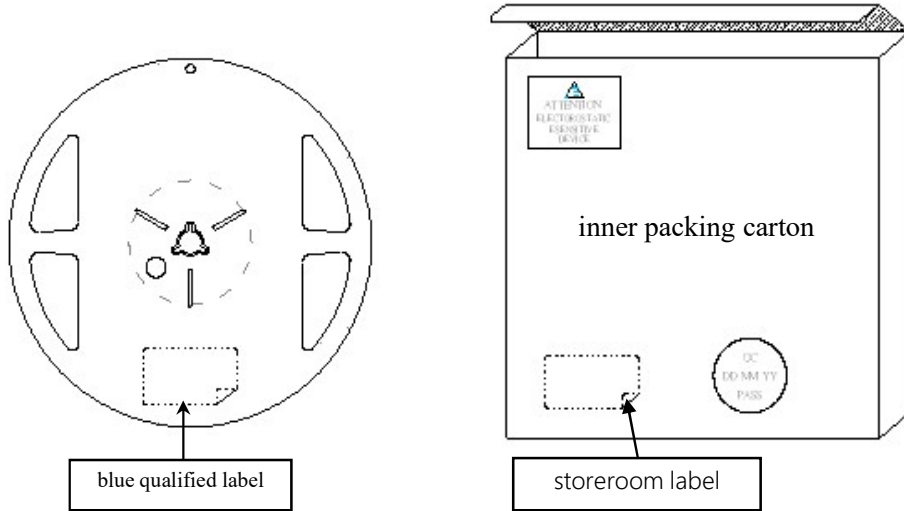
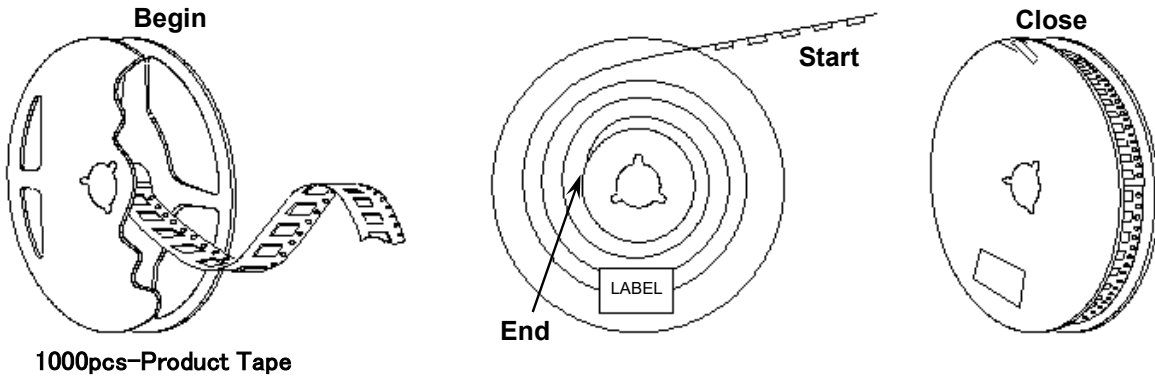
1. 230mm minimum leader which consist of carrier and/or tape followed by a minimum of 160mm of empty carrier tape sealed with cover tape.
2. 160mm minimum trailer of empty carrier tape sealed with cover tape.

**HUILONG ELECTRONIC (JINHUA) CO.,LTD**



# TYPE HY SEAM SEALED X'TAL

## PACKING



**HUILONG ELECTRONIC (JINHUA) CO.,LTD**