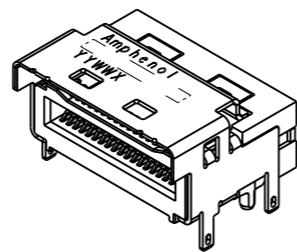
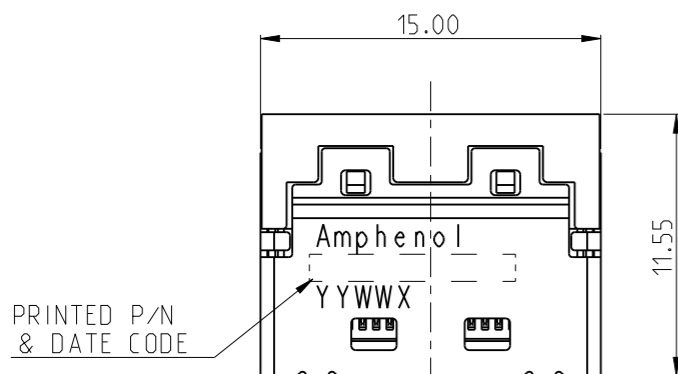


This document is the property of Amphenol Corporation and is delivered on the express condition that it is not to be disclosed, reproduced or used, in whole or in part, for manufacture or sale by anyone other than Amphenol Corporation without its prior consent, and that no right is granted to disclose or to use any information in this document.

The marking on this product doesn't contain environmental hazardous materials per directive 2011/65/EU & 2015/863/EU for RoHS compliant & per IEC 61249-2-21 for Halogen-Free compliant.

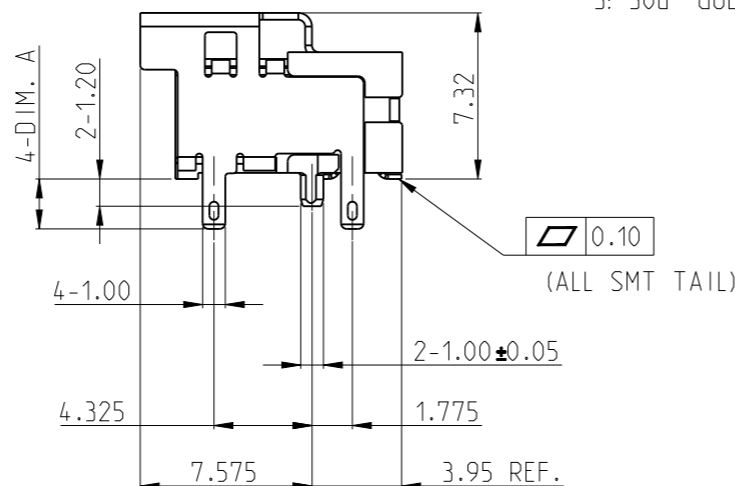
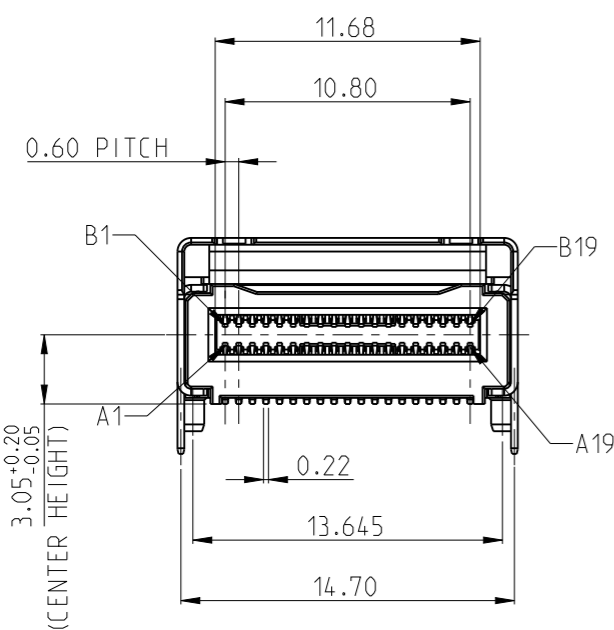


| REVISIONS | | | | |
|-----------|----------|---|------------|-------------|
| SYM | ECN No. | DESCRIPTION | DATE | BY |
| A | NE-22202 | RELEASE TO PRODCUTION | 2022-10-13 | Sondra Sang |
| B | NE-23037 | CHANGED 3.05 TOL. FROM +/-0.20 TO BE +0.20/-0.05 | 2023-02-13 | Sondra Sang |
| C | NE-23084 | CORRECT POST OD TOLERANCE TO BE 1.00 +/-0.05 MODIFIED SHELL ON BOTTOM VIEW | 2023-05-11 | Sondra Sang |
| D | NE-25123 | CHANGED DATE CODE FROM YYWW TO BE YYW WX | 2025-05-26 | Sondra Sang |



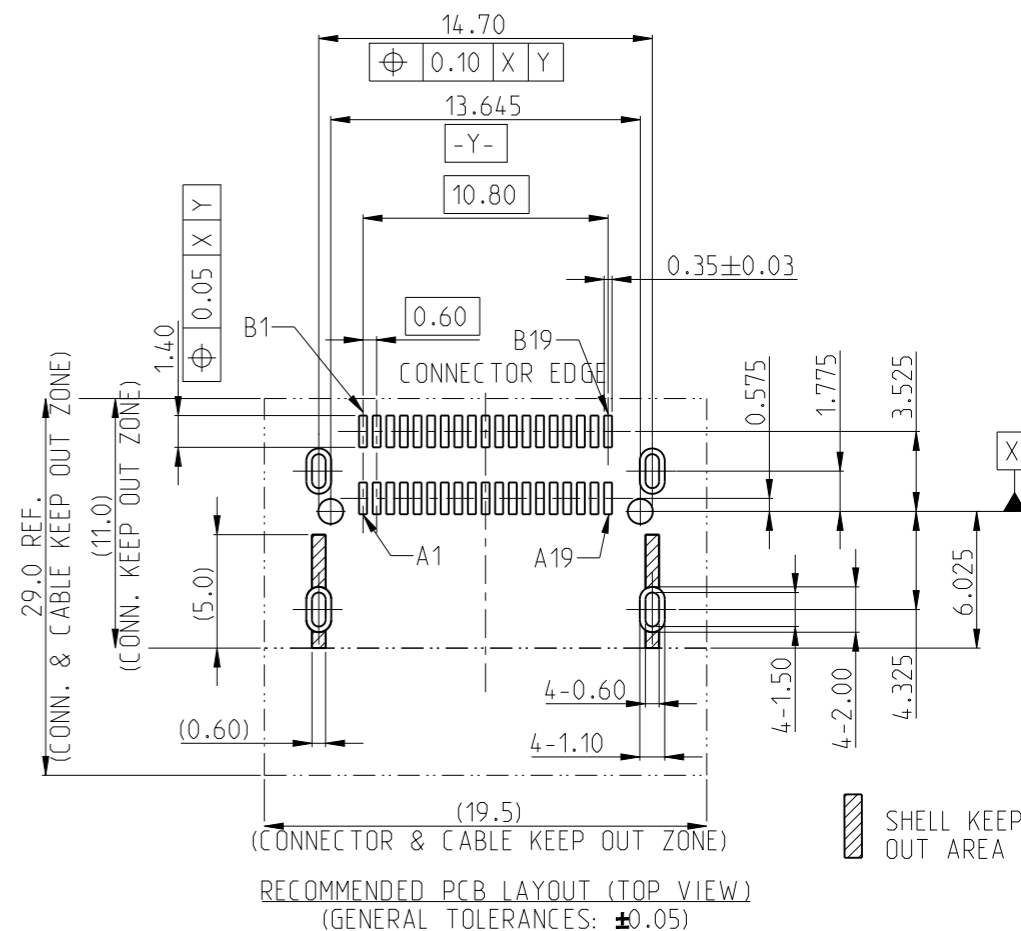
PART NUMBER
G97 R X X X X X HR

- MINI COOL EDGE IO INTEGRATED CONNECTOR
- RIGHT ANGLE TYPE
- CONNECTOR SPEED
2: PCIE GEN5
- PIN QTY/ CHANNEL
1: 38 PIN (4X+SB OR 6X)
2: 74 PIN (8X+SB OR 12X)
4: 124 PIN (16X+SB OR 20X)
6: 148 PIN (20X+SB OR 24X)
- *SB: SIDEBAND
- CONTACT FINISH
2: 15u" GOLD
3: 30u" GOLD
- COMPLIANT CODE
HR: HALOGEN FREE & RoHS
- VARIATION CODE
BLANK: STANDARD
- PACKING CODE
2: TAPE & REEL
5: TAPE & REEL FOR CUSTOMIZED
- SHELL TAIL LENGTH OPTIONS (DIM. A)
1: 1.50 mm
2: 2.20 mm
3: 3.00 mm
4: 4.20 mm
5: 1.20 mm
7: 2.60 mm



DATE CODE
YY W W X

- X: INTERNAL USE
- WEEK: 25 (25th WEEK)
- YEAR: 25 (2025)



- NOTES:
- HOUSING/ SPACER: LCP, UL 94V-0, COLOR-BLACK
 - TERMINAL: COPPER ALLOY, 0.20mm THICKNESS, SELECTED GOLD PLATING ON CONTACT AREA, 100u" MIN. MATTE TIN ON SOLDERING TAIL, 50u" MIN. NICKEL UNDER-PLATING OVERALL
 - METAL SHELL: STAINLESS STEEL, 0.30mm THICKNESS, 50u" MIN. SOLDERABLE NICKEL PLATING ON SOLDERING TAIL
 - PRODUCT SPECIFICATION REFERS TO PS-7755
 - THIS PRODUCT DOESN'T CONTAIN ENVIRONMENTAL HAZARDOUS MATERIALS PER DIRECTIVE 2011/65/EU AND 2015/863/EU FOR RoHS AND PER IEC 61249-2-21 FOR HALOGEN FREE COMPLIANT.

38 PIN

| TOLERANCE | DRAWN | APPROVALS | DATE | TITLE | UNIT | SIZE | PART No. |
|--|----------|-------------|--------------|--|------|--------|--------------|
| X. X.X ±0.30 X.XX ±0.20 X.XXX ±0.10 | DESIGNED | Sondra Sang | 2025-05-26 | MINI COOL EDGE IO INTEGRATED CONNECTOR 0.6 PITCH, 85 OHM RIGHT ANGLE FOR PCIE TYPE | mm | A3 | G97RXXXXXXHR |
| | CHECKED | Joan Lu | 2025-05-26 | | | | |
| ANGULAR ±2° | APPROVED | Hank Hsu | 2025-05-26 | | NA | 1 OF 6 | G97RXXXXXXHR |
| UNLESS OTHERWISE SPECIFIED | DWG TYPE | CUST DWG | PROJECT CODE | | | | |

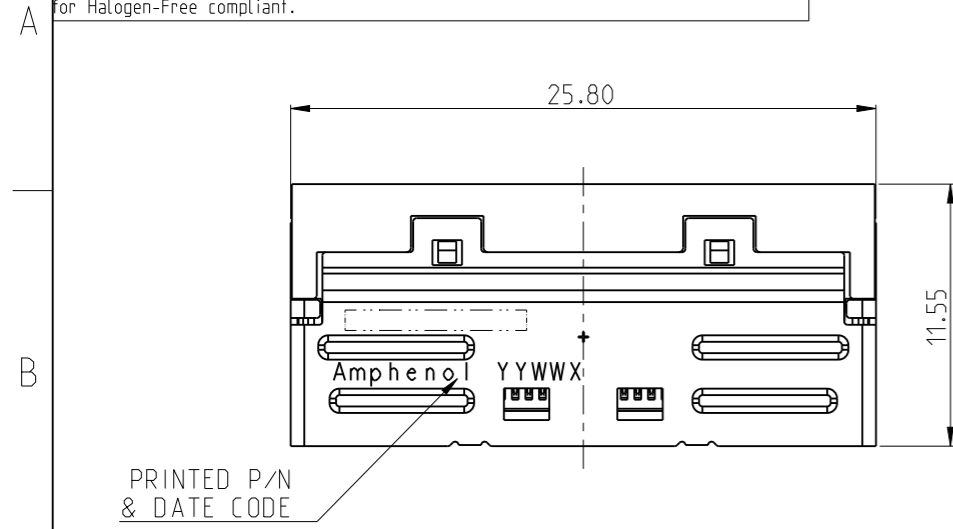
Amphenol®
Amphenol Corporation
Amphenol Taiwan Corporation

This document is the property of Amphenol Corporation and is delivered on the express condition that it is not to be disclosed, reproduced or used, in whole or in part, for manufacture or sale by anyone other than Amphenol Corporation without its prior consent, and that no right is granted to disclose or to use any information in this document.

The marking on this product doesn't contain environmental hazardous materials per directive 2011/65/EU & 2015/863/EU for RoHS compliant & per IEC 61249-2-21 for Halogen-Free compliant.

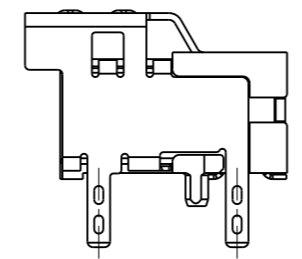
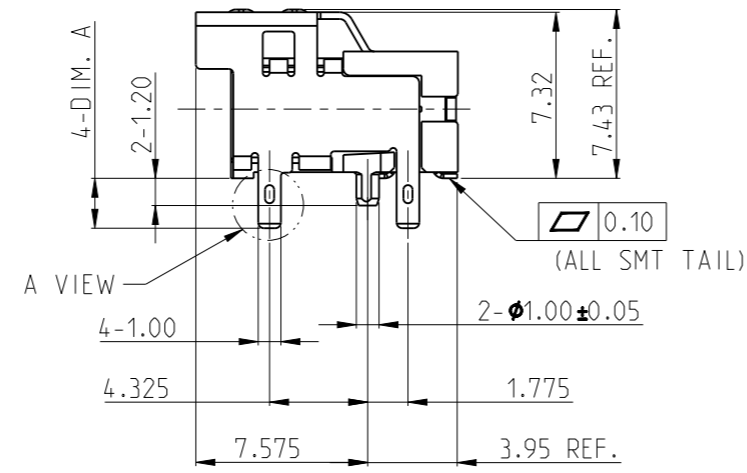
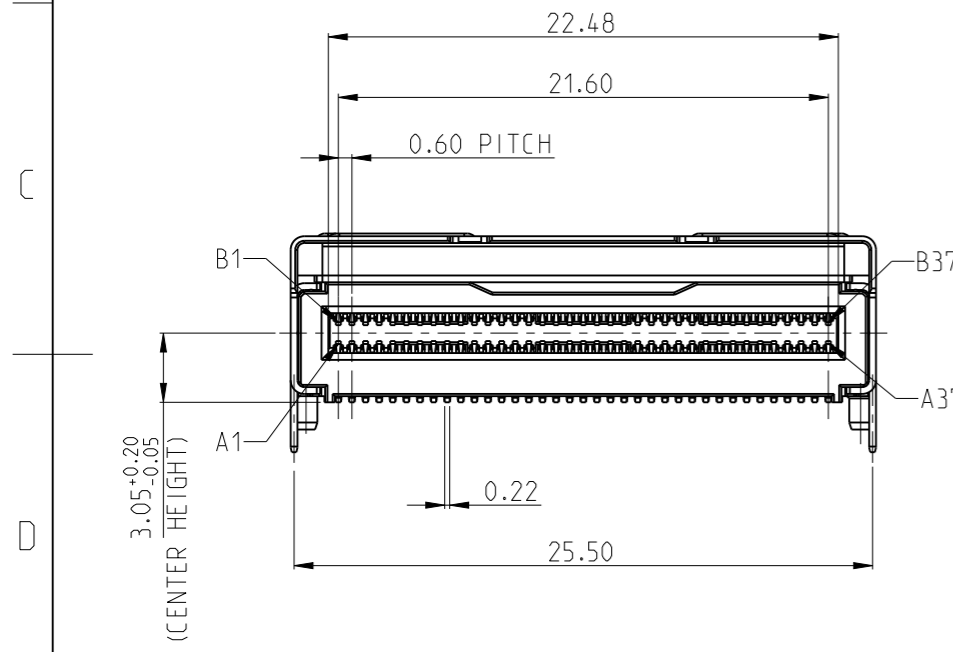
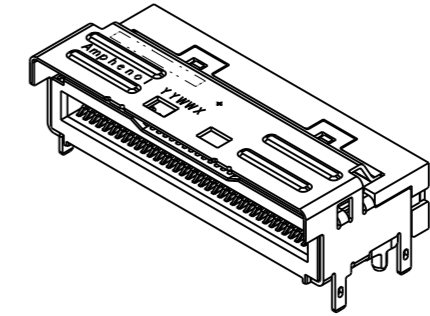


| REVISIONS | | | | |
|-----------|----------|--|------------|-------------|
| SYM | ECN No. | DESCRIPTION | DATE | BY |
| A | NE-22202 | RELEASE TO PRODUCTION | 2022-10-13 | Sondra Sang |
| B | NE-23037 | CHANGED 3.05 TOL. FROM +/-0.20 TO BE +0.20/-0.05 | 2023-02-13 | Sondra Sang |
| C | NE-23084 | CORRECT POST OD TOLERANCE TO BE 1.00+/-0.05 MODIFIED SHELL ON BOTTOM VIEW | 2023-05-11 | Sondra Sang |
| D | NE-25123 | CHANGED DATE CODE FROM YYWW TO BE YYW WX | 2025-05-26 | Sondra Sang |



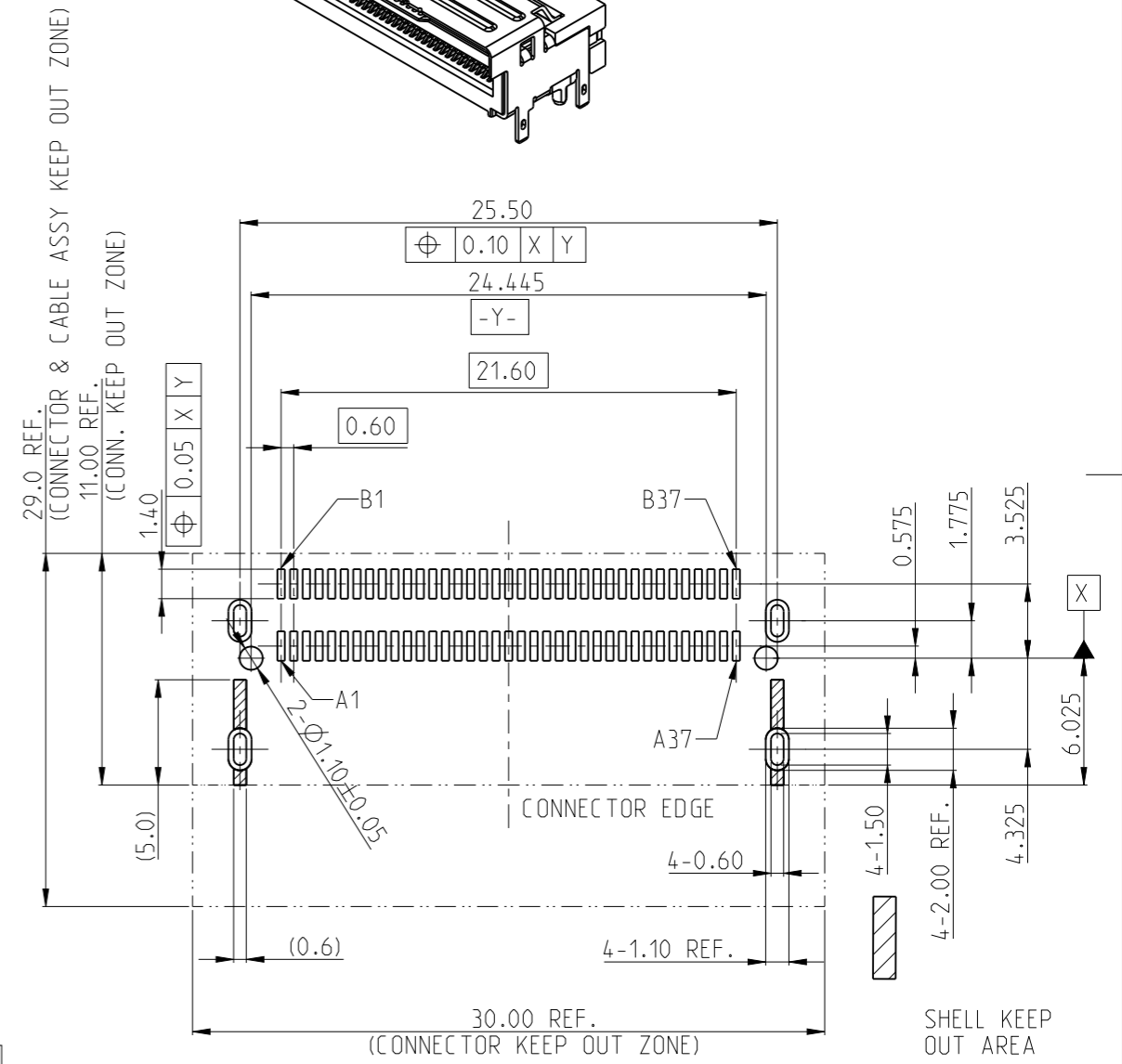
DATE CODE
YY W W X

X: INTERNAL USE
WEEK: 25 (25th WEEK)
YEAR: 25 (2025)

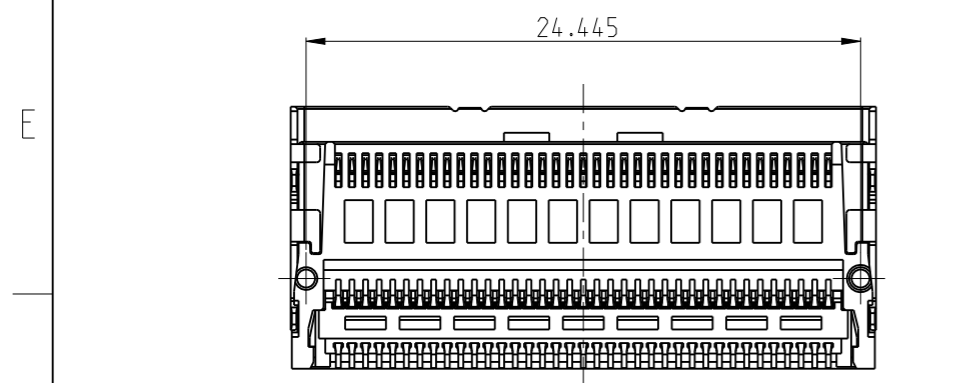


A VIEW
(SHELL TAIL LENGTH IS 3.0 & 4.2)

74 PIN



RECOMMENDED PCB LAYOUT (TOP VIEW)
(GENERAL TOLERANCES: ±0.05)



| TOLERANCE | DESIGNED | CHECKED | APPROVED | DWG TYPE | DATE | PROJECT CODE | TITLE |
|----------------------------|-------------|---------|----------|----------|------------|--------------|--|
| X. ±0.30 | Sondra Sang | Joan Lu | Hank Hsu | CUST DWG | 2025-05-26 | T687 | MINI COOL EDGE IO INTEGRATED CONNECTOR 0.6 PITCH, 85 OHM RIGHT ANGLE FOR PCIE TYPE |
| X.XX ±0.20 | | | | | | | |
| X.XXX ±0.10 | | | | | | | |
| ANGULAR ±2° | | | | | | | |
| UNLESS OTHERWISE SPECIFIED | | | | | | | |

| UNIT | SIZE | SHEET |
|----------|------|--------|
| mm | A3 | 2 OF 6 |
| SCALE NA | | |

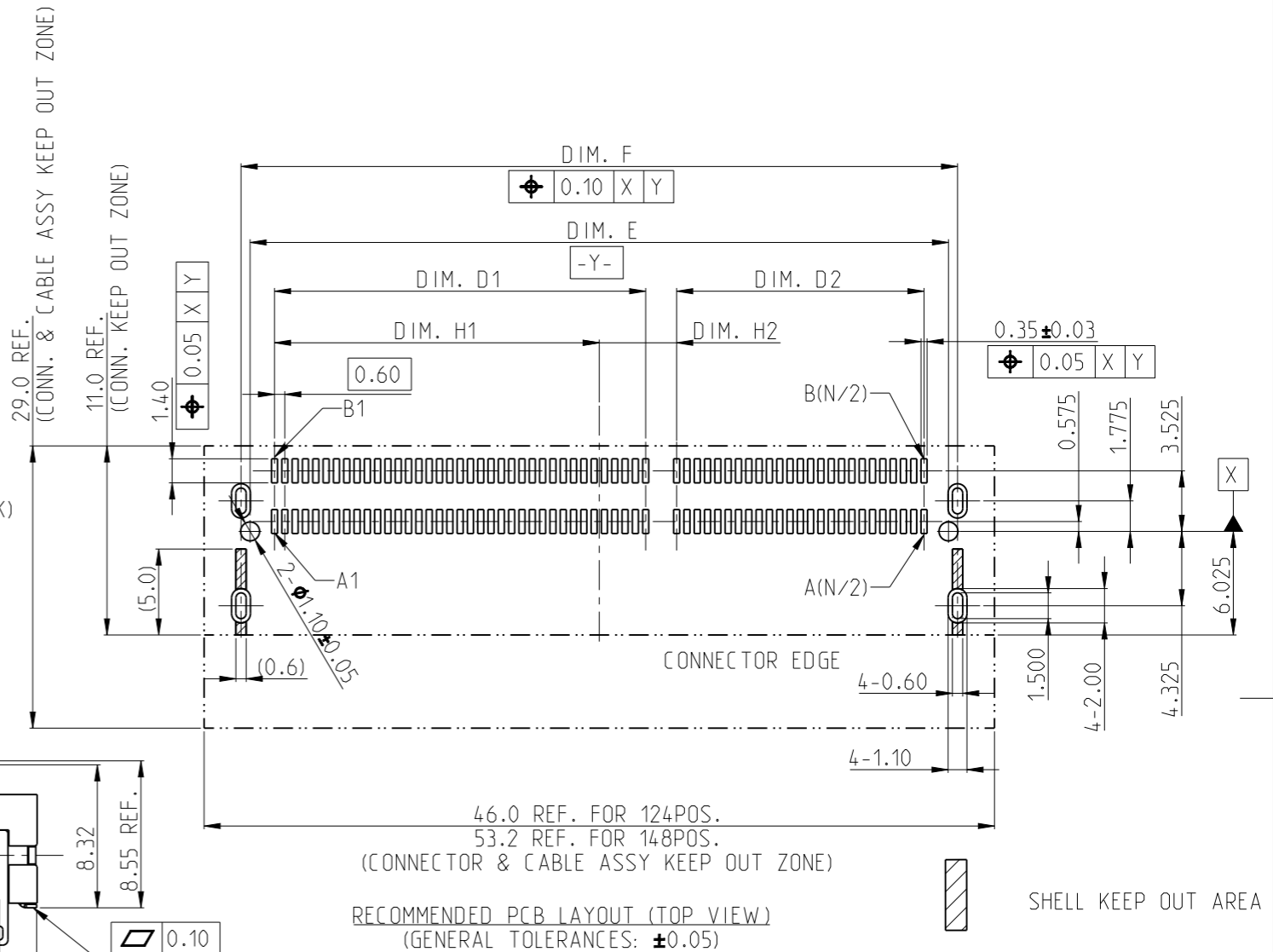
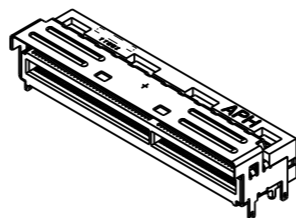
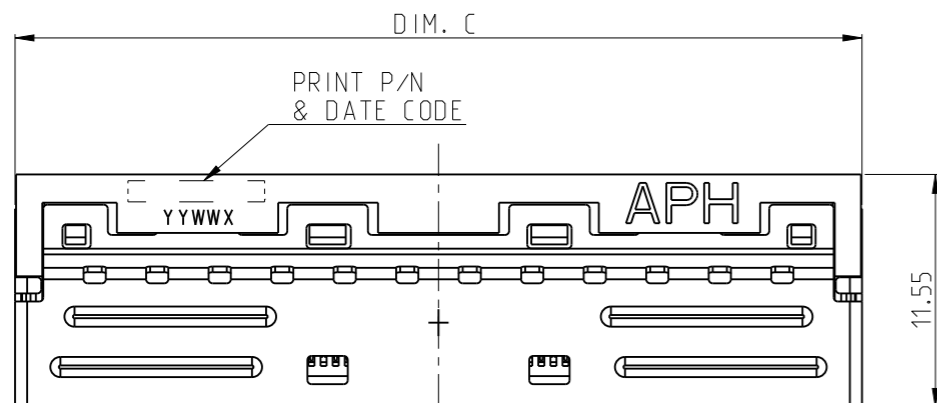
| | | | |
|---|--|----------|--------------|
| <p>Amphenol Corporation Amphenol Taiwan Corporation</p> | | PART No. | G97RXXXXXXHR |
| | | DWG No. | G97RXXXXXXHR |
| <p>REVISIONS</p> | | REV. | D |

This document is the property of Amphenol Corporation and is delivered on the express condition that it is not to be disclosed, reproduced or used, in whole or in part, for manufacture or sale by anyone other than Amphenol Corporation without its prior consent, and that no right is granted to disclose or to use any information in this document.

The marking on this product doesn't contain environmental hazardous materials per directive 2011/65/EU & 2015/863/EU for RoHS compliant & per IEC 61249-2-21 for Halogen-Free compliant.



| REVISIONS | | | | |
|-----------|----------|--|------------|-------------|
| SYM | ECN No. | DESCRIPTION | DATE | BY |
| A | NE-22202 | RELEASE TO PRODUCTION | 2022-10-13 | Sondra Sang |
| B | NE-23037 | CHANGED 3.05 TOL. FROM +/-0.20 TO BE +0.20/-0.05 | 2023-02-13 | Sondra Sang |
| C | NE-23084 | CORRECT POST OD TOLERANCE TO BE 1.00 +/-0.05 MODIFIED SHELL ON BOTTOM VIEW | 2023-05-11 | Sondra Sang |
| D | NE-25123 | CHANGED DATE CODE FROM YYWW TO BE YYWWX | 2025-05-26 | Sondra Sang |



DATE CODE
YY WW X
X: INTERNAL USE
WEEK: 25 (25th WEEK)
YEAR: 25 (2025)

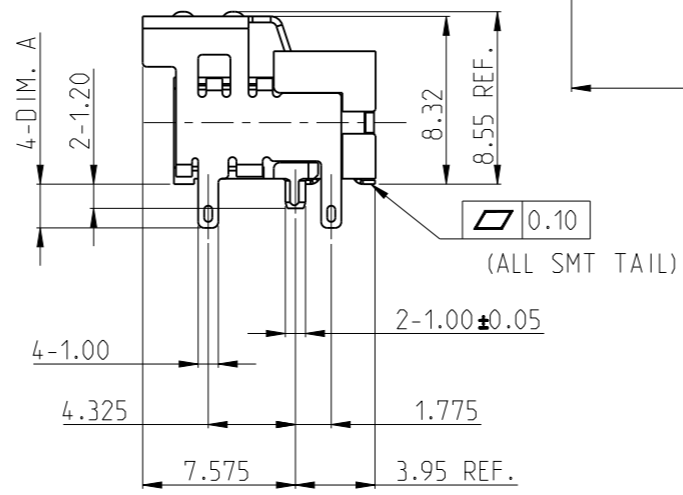
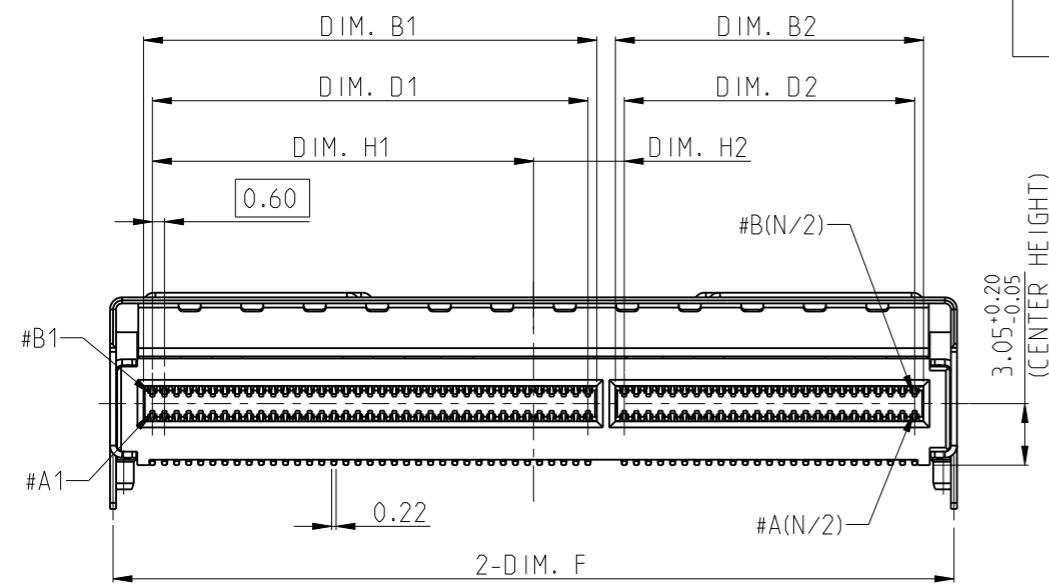
29.0 REF.
(CONN. & CABLE ASSY KEEP OUT ZONE)

11.0 REF.
(CONN. KEEP OUT ZONE)

46.0 REF. FOR 124POS.
53.2 REF. FOR 148POS.
(CONNECTOR & CABLE ASSY KEEP OUT ZONE)

RECOMMENDED PCB LAYOUT (TOP VIEW)
(GENERAL TOLERANCES: ±0.05)

SHELL KEEP OUT AREA

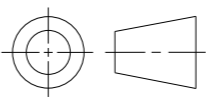


124 PIN & 148 PIN

| PART NUMBER | POS. (N) | DIM. B1 | DIM. B2 | DIM. C | DIM. D1 | DIM. D2 | DIM. E | DIM. F | DIM. H1 | DIM. H2 |
|--------------|----------|---------|---------|--------|---------|---------|--------|--------|---------|---------|
| G97RX4XXXXHR | 124 | 22.48 | 15.28 | 42.00 | 21.60 | 14.40 | 40.645 | 41.70 | 18.90 | 4.50 |
| G97RX6XXXXHR | 148 | 22.48 | 22.48 | 49.20 | 21.60 | 21.60 | 47.845 | 48.90 | 22.50 | 0.90 |

| TOLERANCE | DESIGNED | DATE | TITLE | UNIT | | SIZE | | PART No. | |
|-------------|-------------|------------|--|---------|--------|--------------|--------------|----------|--|
| X. ±0.30 | Sondra Sang | 2025-05-26 | MINI COOL EDGE IO INTEGRATED CONNECTOR 0.6 PITCH, 85 OHM RIGHT ANGLE FOR PCIE TYPE | mm | A3 | | G97RXXXXXXHR | | |
| X.XX ±0.20 | Joan Lu | 2025-05-26 | | SCALE | SHEET | | REV. | | |
| X.XXX ±0.10 | Hank Hsu | 2025-05-26 | UNLESS OTHERWISE SPECIFIED | NA | 3 OF 6 | | D | | |
| ANGULAR ±2° | CUST DWG | T687 | | DWG No. | | G97RXXXXXXHR | | | |

Amphenol®
Amphenol Corporation
Amphenol Taiwan Corporation

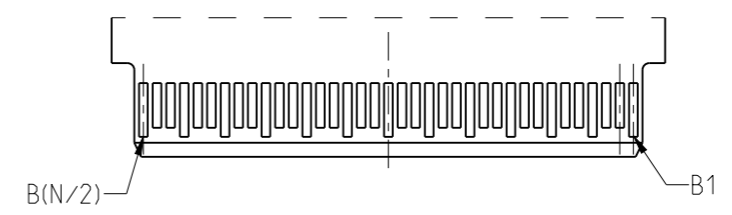
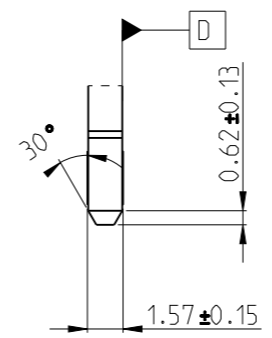
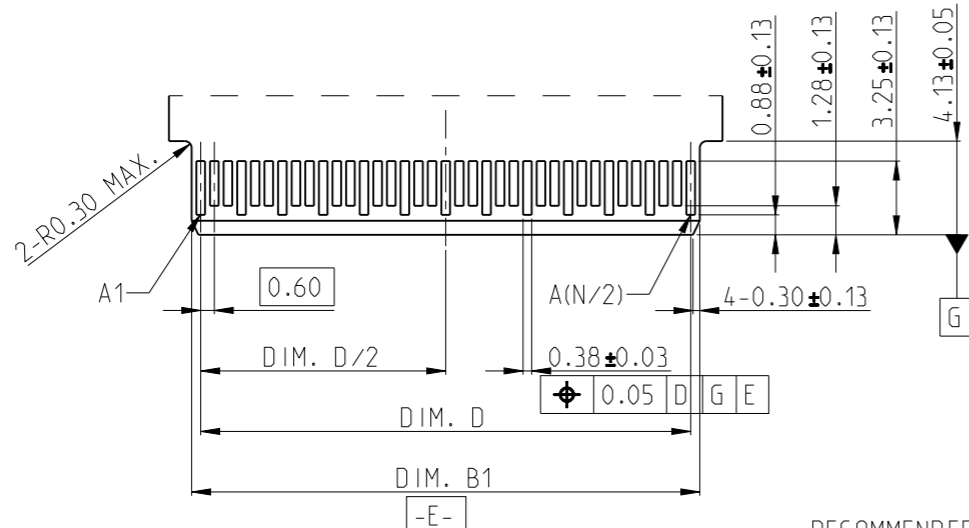


This document is the property of Amphenol Corporation and is delivered on the express condition that is not to be disclosed, reproduced or used, in whole or in part, for manufacture or sale by anyone other than Amphenol Corporation without its prior consent, and that no right is granted to disclose or to use any information in this document.

The marking on this product doesn't contain environmental hazardous materials per directive 2011/65/EU & 2015/863/EU for RoHS compliant & per IEC 61249-2-21 for Halogen-Free compliant.

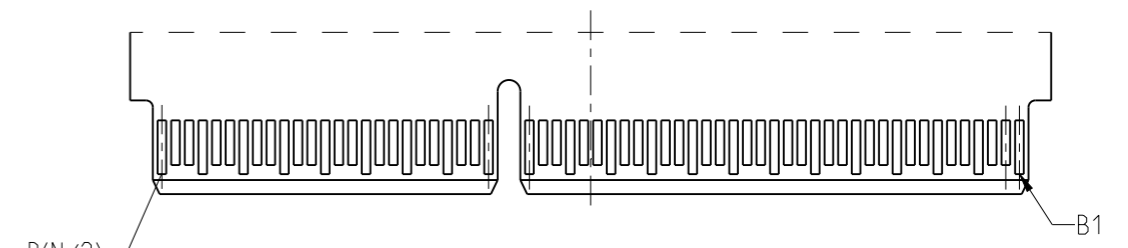
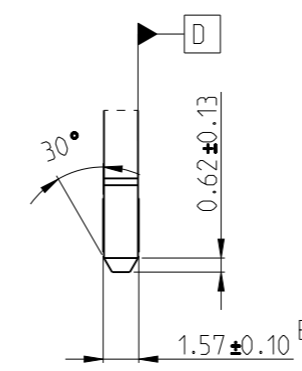
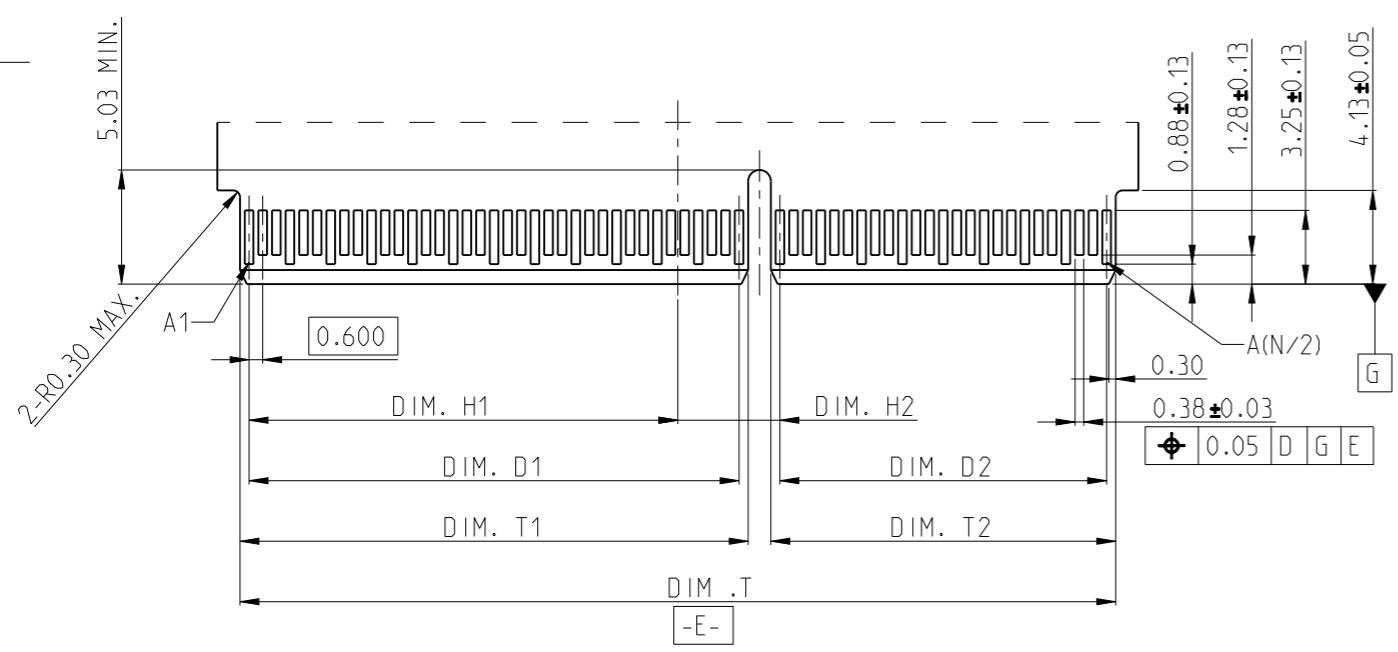


| REVISIONS | | | | |
|-----------|----------|---|------------|-------------|
| SYM | ECN No. | DESCRIPTION | DATE | BY |
| A | NE-22202 | RELEASE TO PRODUCTION | 2022-10-13 | Sondra Sang |
| B | NE-23037 | CHANGED 3.05 TOL. FROM +/-0.20 TO BE +0.20/-0.05 | 2023-02-13 | Sondra Sang |
| C | NE-23084 | CORRECT POST OD TOLERANCE TO BE 1.00+/-0.05 MODIFIED SHELL ON BOTTOM VIEW | 2023-05-11 | Sondra Sang |
| D | NE-25123 | CHANGED DATE CODE FROM YYWW TO BE YYW WX | 2025-05-26 | Sondra Sang |



RECOMMENDED MATING CARD (38PIN & 74PIN)
(GENERAL TOLERANCES: ±0.05)

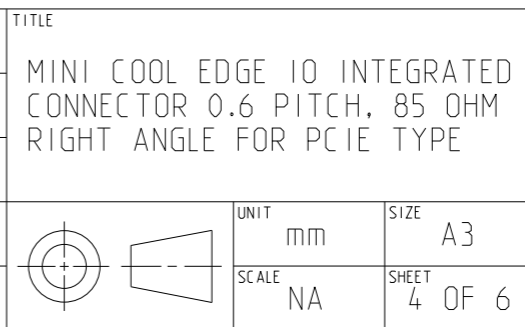
| PART NUMBER | POS. (N) | DIM. B1 | DIM. D |
|--------------|----------|---------|--------|
| G97RX1XXXXHR | 38 | 11.60 | 10.80 |
| G97RX2XXXXHR | 74 | 22.40 | 21.60 |



RECOMMENDED MATING CARD (124PIN & 148PIN)
(GENERAL TOLERANCES: ±0.05)

| PART NUMBER | POS. (N) | DIM. D1 | DIM. D2 | DIM. H1 | DIM. H2 | DIM. T | DIM. T1 | DIM. T2 |
|--------------|----------|---------|---------|---------|---------|--------|---------|---------|
| G97RX4XXXXHR | 124 | 21.60 | 14.40 | 18.90 | 4.50 | 38.60 | 22.40 | 15.20 |
| G97RX6XXXXHR | 148 | 21.60 | 21.60 | 22.50 | 0.90 | 45.80 | 22.40 | 22.40 |

| TOLERANCE | DRAWN | APPROVALS | DATE | TITLE |
|--|----------|-------------|--------------|--|
| X. X.X ±0.30 X.XX ±0.20 X.XXX ±0.10 | DESIGNED | Sondra Sang | 2025-05-26 | MINI COOL EDGE IO INTEGRATED CONNECTOR 0.6 PITCH, 85 OHM RIGHT ANGLE FOR PCIE TYPE |
| | CHECKED | Joan Lu | 2025-05-26 | |
| | APPROVED | Hank Hsu | 2025-05-26 | |
| ANGULAR ±2° | DWG TYPE | CUST DWG | PROJECT CODE | T687 |
| UNLESS OTHERWISE SPECIFIED | | | | |



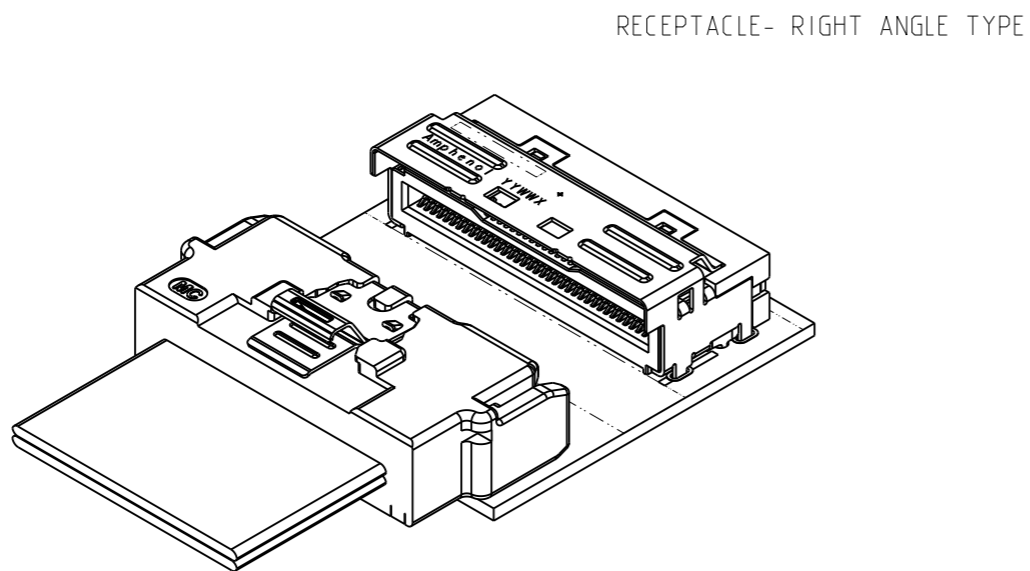
| | | | | | | | | |
|--|--|-------|----|-------|--------|----------|--------------|--------|
| | | UNIT | mm | SIZE | A3 | PART No. | G97RXXXXXXHR | |
| | | SCALE | NA | SHEET | 4 OF 6 | DWG No. | G97RXXXXXXHR | REV. D |

This document is the property of Amphenol Corporation and is delivered on the express condition that is not to be disclosed, reproduced or used, in whole or in part, for manufacture or sale by anyone other than Amphenol Corporation without its prior consent, and that no right is granted to disclose or to use any information in this document.

The marking on this product doesn't contain environmental hazardous materials per directive 2011/65/EU & 2015/863/EU for RoHS compliant & per IEC 61249-2-21 for Halogen-Free compliant.

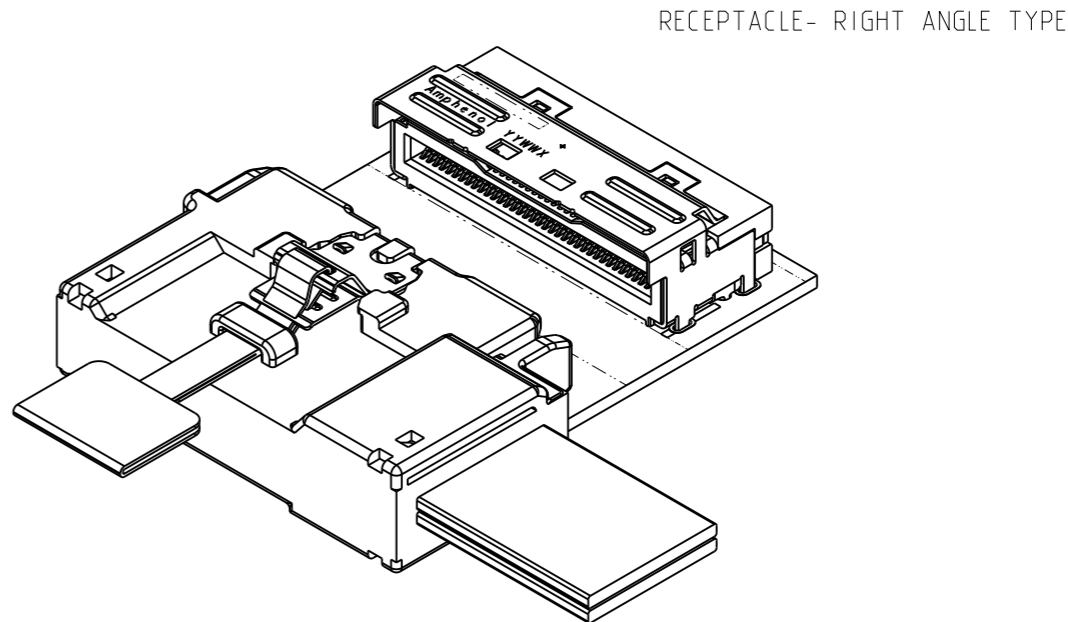


| REVISIONS | | | | |
|-----------|----------|--|------------|-------------|
| SYM | ECN No. | DESCRIPTION | DATE | BY |
| A | NE-22202 | RELEASE TO PRODUCTION | 2022-10-13 | Sondra Sang |
| B | NE-23037 | CHANGED 3.05 TOL. FROM +/-0.20 TO BE +0.20/-0.05 | 2023-02-13 | Sondra Sang |
| C | NE-23084 | CORRECT POST OD TOLERANCE TO BE 1.00+/-0.05 MODIFIED SHELL ON BOTTOM VIEW | 2023-05-11 | Sondra Sang |
| D | NE-25123 | CHANGED DATE CODE FROM YYWW TO BE YYW WX | 2025-05-26 | Sondra Sang |



RECEPTACLE- RIGHT ANGLE TYPE

PLUG- STRAIGHT TYPE



RECEPTACLE- RIGHT ANGLE TYPE

PLUG- SIDE ENTRY TYPE

RECOMMENDED MATING STYLE

| | | | | | | | |
|--|------------------------------------|---------------------------------|--|---|----------------------------|------------------------------------|-------------------------------------|
| <p>TOLERANCE</p> <p>X. ±0.30</p> <p>X.X ±0.20</p> <p>X.XX ±0.10</p> <p>ANGULAR ±2°</p> <p>UNLESS OTHERWISE SPECIFIED</p> | <p>DRAWN</p> <p>APPROVALS</p> | <p>DATE</p> <p>2025-05-26</p> | <p>TITLE</p> <p>MINI COOL EDGE IO INTEGRATED CONNECTOR 0.6 PITCH, 85 OHM RIGHT ANGLE FOR PCIE TYPE</p> | <p>Amphenol®</p> <p>Amphenol Corporation Amphenol Taiwan Corporation</p> | | | |
| | <p>DESIGNED</p> <p>Sondra Sang</p> | <p>CHECKED</p> <p>Joan Lu</p> | <p>2025-05-26</p> | | <p>UNIT</p> <p>mm</p> | <p>SIZE</p> <p>A3</p> | <p>PART No.</p> <p>G97RXXXXXXHR</p> |
| | <p>APPROVED</p> <p>Hank Hsu</p> | <p>2025-05-26</p> | <p>SCALE</p> <p>NA</p> | | <p>SHEET</p> <p>5 OF 6</p> | <p>DWG No.</p> <p>G97RXXXXXXHR</p> | <p>REV.</p> <p>D</p> |
| | | <p>DWG TYPE</p> <p>CUST DWG</p> | <p>PROJECT CODE</p> <p>T687</p> | | | | |

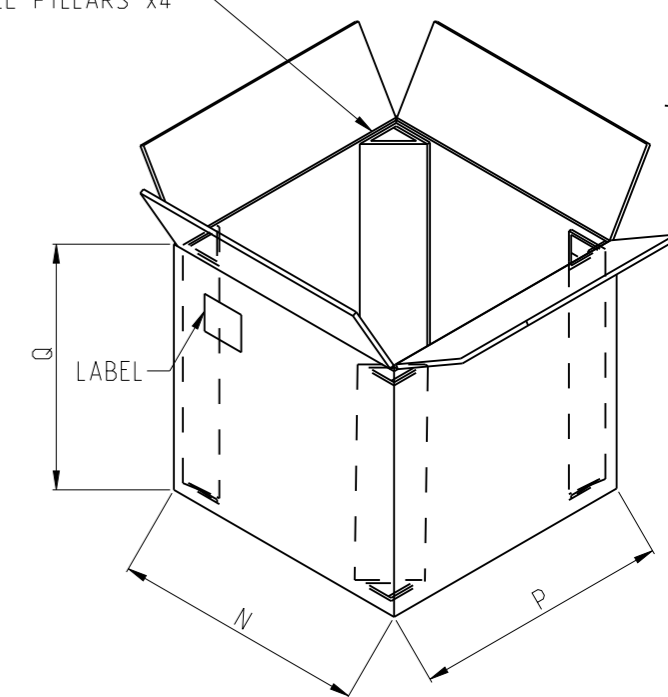
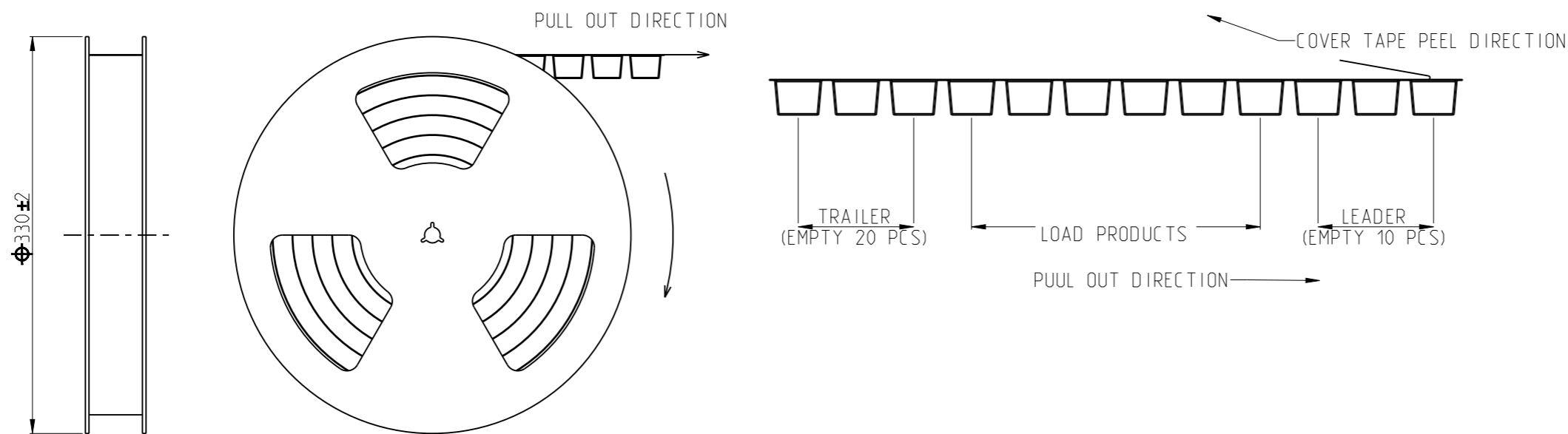
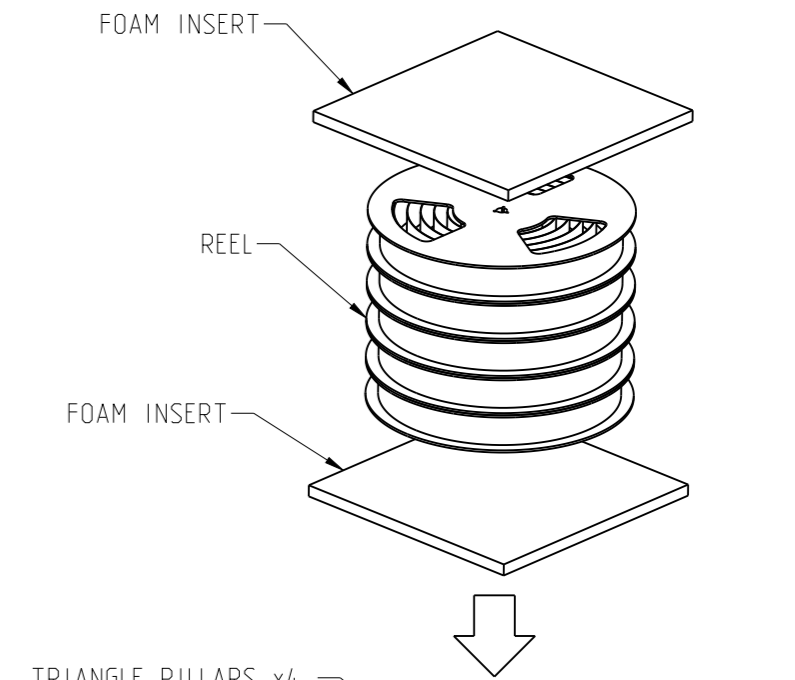
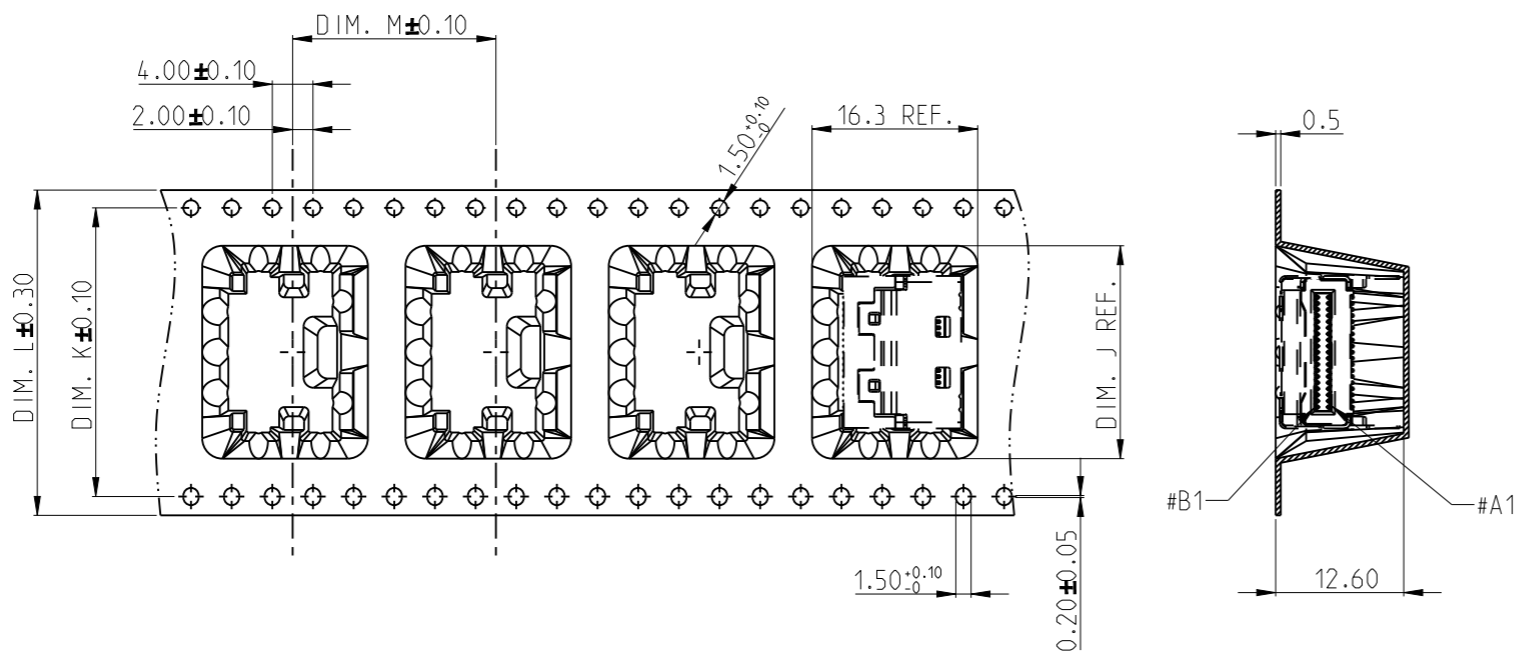
This document is the property of Amphenol Corporation and is delivered on the express condition that it is not to be disclosed, reproduced or used, in whole or in part, for manufacture or sale by anyone other than Amphenol Corporation without its prior consent, and that no right is granted to disclose or to use any information in this document.

The marking on this product doesn't contain environmental hazardous materials per directive 2011/65/EU & 2015/863/EU for RoHS compliant & per IEC 61249-2-21 for Halogen-Free compliant.



| REVISIONS | | | | |
|-----------|----------|--|------------|-------------|
| SYM | ECN No. | DESCRIPTION | DATE | BY |
| A | NE-22202 | RELEASE TO PRODUCTION | 2022-10-13 | Sondra Sang |
| B | NE-23037 | CHANGED 3.05 TOL. FROM +/-0.20 TO BE +0.20/-0.05 | 2023-02-13 | Sondra Sang |
| C | NE-23084 | CORRECT POST OD TOLERANCE TO BE 1.00+/-0.05 MODIFIED SHELL ON BOTTOM VIEW | 2023-05-11 | Sondra Sang |
| D | NE-25123 | CHANGED DATE CODE FROM YYWW TO BE YYW WX | 2023-05-26 | Sondra Sang |

| PART NUMBER | POS. (N) | DIM. J | DIM. K | DIM. L | DIM. M | REEL (PCS) | CARTON (PCS) | N x P x Q (mm) |
|--------------|----------|--------|--------|--------|--------|------------|--------------|----------------|
| G97RX1XXXXHR | 38 | (20.9) | 28.40 | 32.00 | 20.00 | 225 | 1350 | 355x355x265 |
| G97RX2XXXXHR | 74 | (32.5) | 40.40 | 44.00 | 20.00 | 250 | 1250 | 355x355x290 |
| G97RX4XXXXHR | 124 | (39.5) | 68.40 | 72.00 | 20.00 | 220 | 660 | 355x355x290 |
| G97RX6XXXXHR | 148 | (49.4) | 68.40 | 72.00 | 20.00 | 220 | 660 | 355x355x290 |



NOTE :

- MATERIAL:
CARRIER TAPE: POLYSTYRENE, BLACK
COVER TAPE: TRANSPARENT POLYSTYRENE
REEL: POLYSTYRENE, BLACK
- ALL TAPE AND REEL SPECIFICATION FOLLOW EIA-481 STANDARD.
- THIS PRODUCT DOESN'T CONTAIN ENVIRONMENTAL HAZRODUS DIRECTIVE 2011/65/EU AND 2015/863/EU FOR RoHS AND PER IEC 61249-2-21 FOR HALOGEN FREE COMPLIANT.

| TOLERANCE | DRAWN | APPROVALS | DATE | TITLE | | | | | | |
|--|----------|-------------|--------------|--|---|----|-------|--------|----------|--------------|
| X. X.X ±0.30 X.XX ±0.20 X.XXX ±0.10 | DESIGNED | Sondra Sang | 2025-05-26 | MINI COOL EDGE IO INTEGRATED CONNECTOR 0.6 PITCH, 85 OHM RIGHT ANGLE FOR PCIE TYPE | Amphenol Corporation Amphenol Taiwan Corporation | | | | | |
| | CHECKED | Joan Lu | 2025-05-26 | | | | | | | |
| | APPROVED | Hank Hsu | 2025-05-26 | | | | | | | |
| ANGULAR ±2° | DWG TYPE | CUST DWG | PROJECT CODE | T687 | UNIT | mm | SIZE | A3 | PART No. | G97RXXXXXXHR |
| UNLESS OTHERWISE SPECIFIED | | | | | SCALE | NA | SHEET | 6 OF 6 | DWG No. | G97RXXXXXXHR |
| | | | | | | | | | REV. | D |