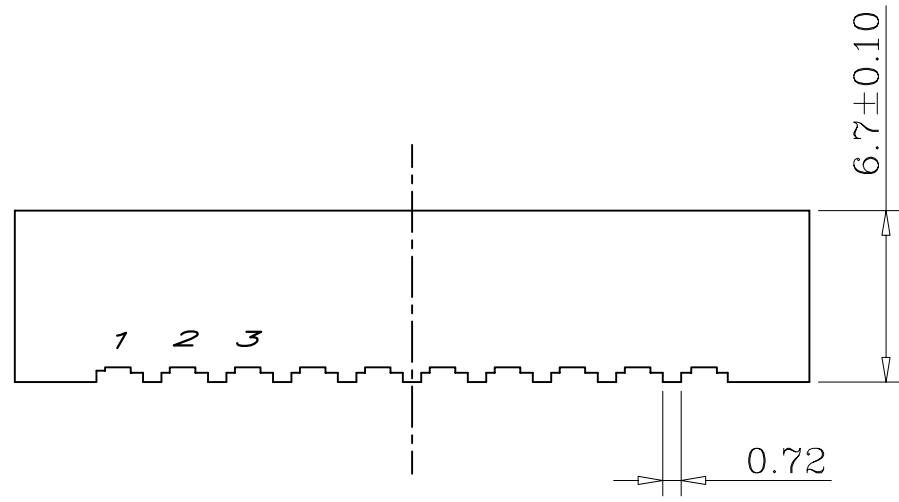
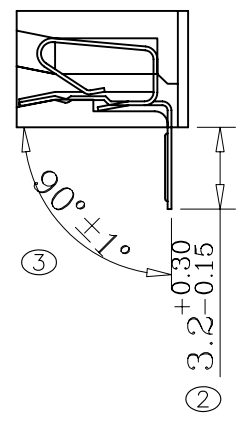
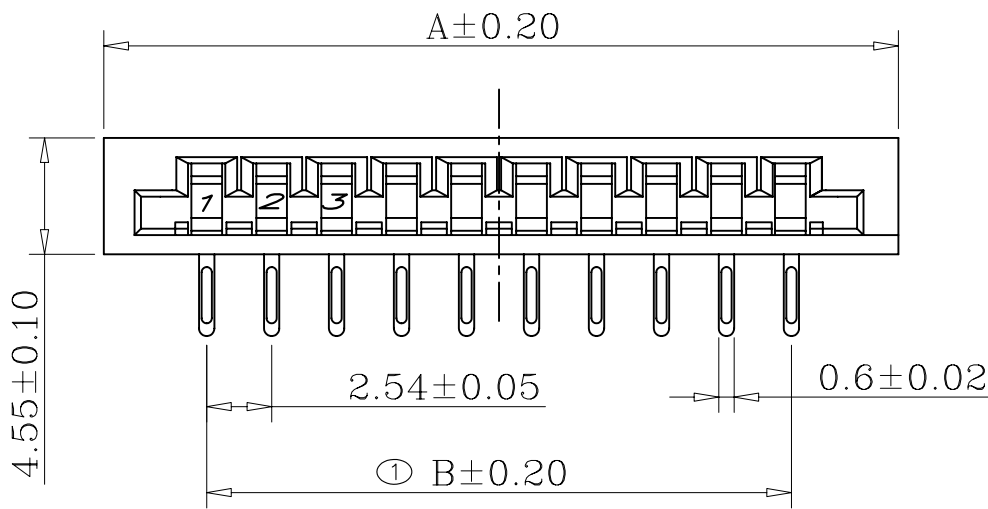


REV.	ECN NO.	LOCAS.	DESCRIPTION	DATE	DESIGN
A			NEW DRAWING		



PIN	A	B	P/N
2	10.74	2.54	11115-021002
3	13.28	5.08	11115-031002
4	15.82	7.62	11115-041002
5	18.36	10.16	11115-051002
6	20.90	12.70	11115-061002
7	23.44	15.24	11115-071002
8	25.98	17.78	11115-081002
9	28.52	20.32	11115-091002
10	31.06	22.86	11115-101002
11	33.60	25.40	11115-111002
12	36.14	27.94	11115-121002
13	38.68	30.48	11115-131002
14	41.22	33.02	11115-141002
15	43.76	35.56	11115-151002
16	46.30	38.10	11115-161002
17	48.84	40.64	
18	51.38	43.18	11115-181002
19	53.92	45.72	11115-191002
20	56.46	48.26	11115-201002
21	59.00	50.80	
22	61.54	53.34	
23	64.08	55.88	
24	66.62	58.42	
25	69.16	60.96	
26	71.70	63.50	
27	74.24	66.04	

备注:
 塑胶: PBT+25%GF (UL 94V-0)
 端子: 磷铜
 电镀: 镍底15U" Min, 镀锡30-50U"
 性能:
 额定电流: 1A, AC/DC
 额定电压: 200V
 接触阻抗: 30mΩ Max.
 绝缘阻抗: 1000MΩ MIN.
 耐电压值: 500V RMS
 工作温度: -55°C to +85°C.

DESIGN:	Xiping Huang		
CHECK:	Ke Tian		
APPROVED:	Youquan Xu		
DIM	TOL	DIM	TOL
X.	±0.25	X°	±3.0°
X.X	±0.20	X.X°	
X.XX	±0.15	X.XX°	
X.XXX		X.XXX°	

 **广东国连电子有限公司**
 GUANGDONG GUOLIAN ELECTRONICS CO., LTD

TITLE: 2.54弯插薄膜插座			
PART NO. 2.54-A-NPW-BLL			
REV. A	SCALE: N/A	UNIT: mm	SHEET: 1/1