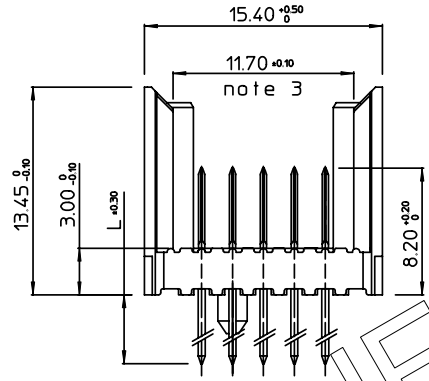
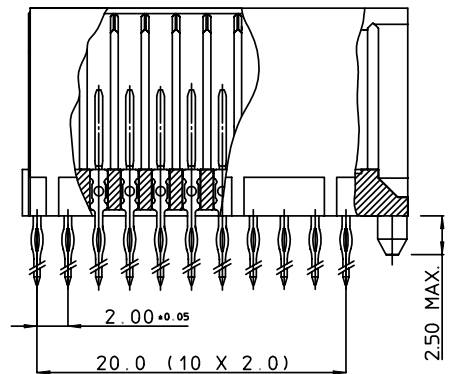


BS,C ,201632,003

D

GEN. ST.	01	02	03	04	05	06	07	08	0D	50	60	70	80	90															
INT. ST.	10	11	12	13	14	18	20	31	32	33	34	38	39	40	42	43	44	45	46	48	56	70	72	73	76	81	83	84	88

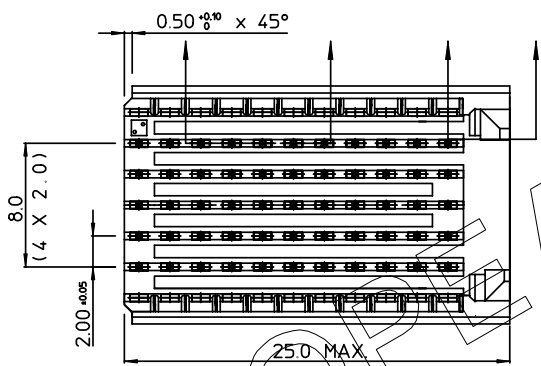
REV.	DATE	DESCRIPTION	BY	C'K'D'
B	2004-01-28	104-0005	BKP	BKP
C	2005-10-22	105-0196	ALEX B	BKP
D	2006-07-04	106-0096	VIVEK	BKP
05	2001-05-31	BEC 9_3525	R.M.	



PERFORMANCE CHARACTERISTICS

CURRENT RATING : 1.5 A AT 20°C (FULLY LOADED)
 1 A AT 70°C (FULLY LOADED)
 RATED VOLTAGE : 500 V AC (CONT / CONT)
 OPERATING TEMPERATURE : -55°C TO 125°C
 CONTACT RESISTANCE : 20 mΩ MAX
 INSERTION FORCE : 0.75 N MAX / CONT
 EXTRACTION FORCE : 0.15 N MIN / CONT
 INSULATION RESISTANCE : 10⁴ MΩ MIN

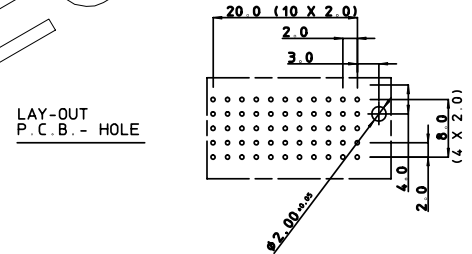
CAT. NR.	L ±0.3	DESCRIPTION
HM2P09PD5110----	3.7	SHORT PRESS-FIT
HM2P09PC5110----	4.5	SHORT PRESS-FIT
HM2P09PK5110----	13	REAR PLUG-UP: LEVEL 1
HM2P09PM5110----	14.5	REAR PLUG-UP: LEVEL 2
HM2P09PN5110----	16	REAR PLUG-UP: LEVEL 3
HM2P09PT5110----	13	WIRE WRAP



NOTES

- *HM2P09P#5110---*
 PERFORMANCE LEVEL INDICATOR (REFER DWG No. BS,C ,201844,003)
 LEAD FREE INDICATOR : LF=LEAD FREE (DIGIT 15&16)
- THIS PRODUCT IS CSA APPROVED.
 THIS PRODUCT IS UL RECOGNIZED.
- MEASURED AT THE BOTTOM.
- FOR RECOMMENDED PTH DIMENSIONS REFER DRAWING : BS,A ,201572,001
- THE PRODUCT (LF) MEETS EUROPEAN UNION DIRECTIVES AND OTHER COUNTRY REGULATIONS AS DESCRIBED IN GS-22-008

EUROPEAN PROJECT



THIS IS OUR EXCLUSIVE PROPERTY. IT IS NOT TO BE COPIED, REPRINTED OR DISCLOSED TO A THIRD PARTY, NOR USED FOR MANUFACTURING WITHOUT OUR WRITTEN CONSENT, AND HAS TO BE RETURNED TO US IN CASE OF NO USAGE

DIT IS ONZE EIGENDOM EN MAG NOCH NAGEMAAKT, HERDRUKT, OVERGEHAAKT AAN DERDEN, NOCH VOOR FABRIKATIE GEBRUIKT WORDEN, ZONDER ONZE SCHRIFTELIJKE TOELATING. BIJ NIET GEBRUIK IS TERUGZENDING VERPLICHT.

MALE SIGNAL STRAIGHT PRESS-FIT-TO-BOARD CONNECTOR				
EXTENSION MODULE (WIDE BODY)				
1DEC ±0,2 2DEC ±0,1 ANGLES ±1°	APPR. DRAFT CHECKED	DATE 1993-06-08	SIGN. W.Panis	MILLIPACS 2 / TYPE C / NO SHIELDING CAT. No. HM2P09P#5110----
WE RESERVE THE RIGHT TO CHANGE DIMENSIONS OR REQUIREMENTS WITHOUT PRIOR NOTICE.	PROD. MGR. PR. ENG. MGR. PR. MGT. MGR.			SCALE 3/1
ALL DIMENSIONS IN MM	REFERENCES			BS,C ,201632,003 DRAWING No. CUSTOMER DRAWING
				D REVISION