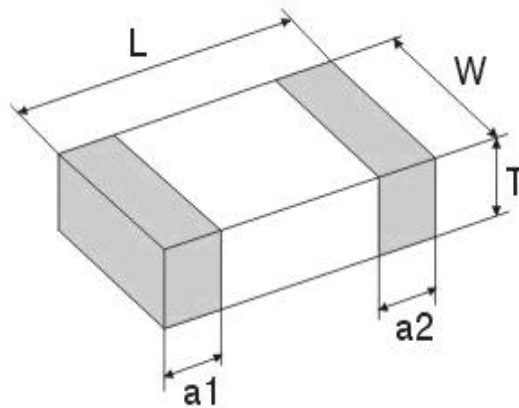


## 1 Product Identification

GDPZ   3216   M   260   6A0   T   F  
 ①   ②   ③   ④   ⑤   ⑥   ⑦

- ① Product Symbol
- ② Dimensions
- ③ Material Code
- ④ Impedance (260: 26Ω)
- ⑤ IR\* (6A0: 6.0A)
- ⑥ Packaging Style (B: Bulk; T: Tape & Reel)
- ⑦ Lead Free

## 2 Appearance, Dimensions



Type	Dimensions (mm) [inch]			
	L	W	T	a1, a2
3216 (1206)	3.2±0.20	1.6±0.20	0.8±0.20	0.50±0.30

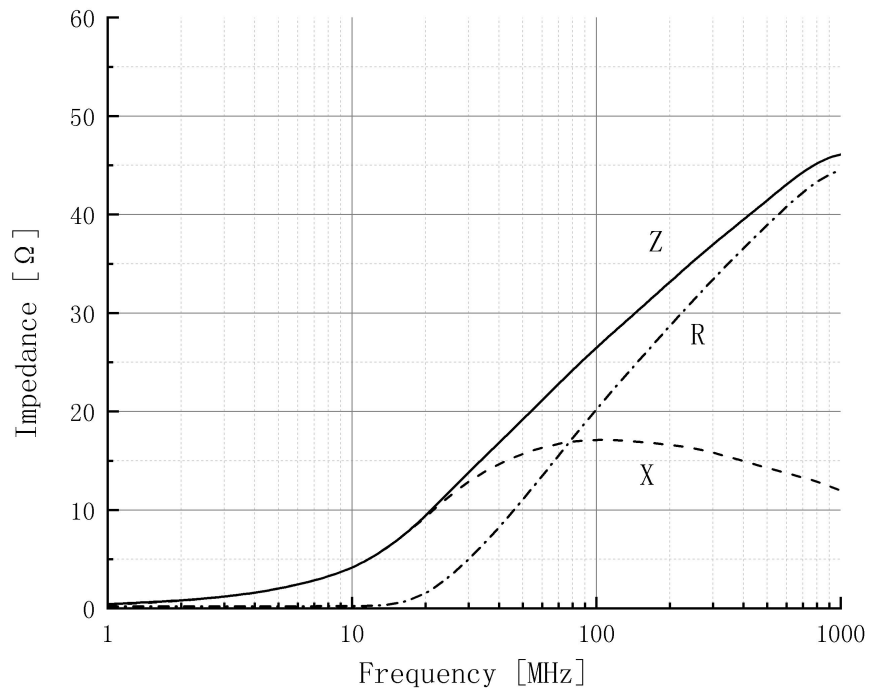


### 3 Rating

Operating Temperature Range : -55 to +125°C

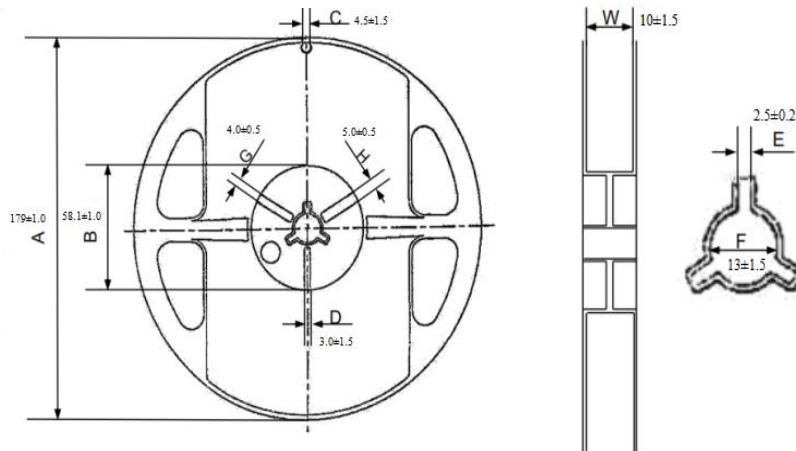
Part No.	Impedance( $\Omega$ )	Test Freq. (MHz)	RDC ( $\Omega$ ) max	IR*(mA) max
GDPZ3216M260-6A0TF	26 $\pm$ 25%	100	0.012	6000

### 4 Curve

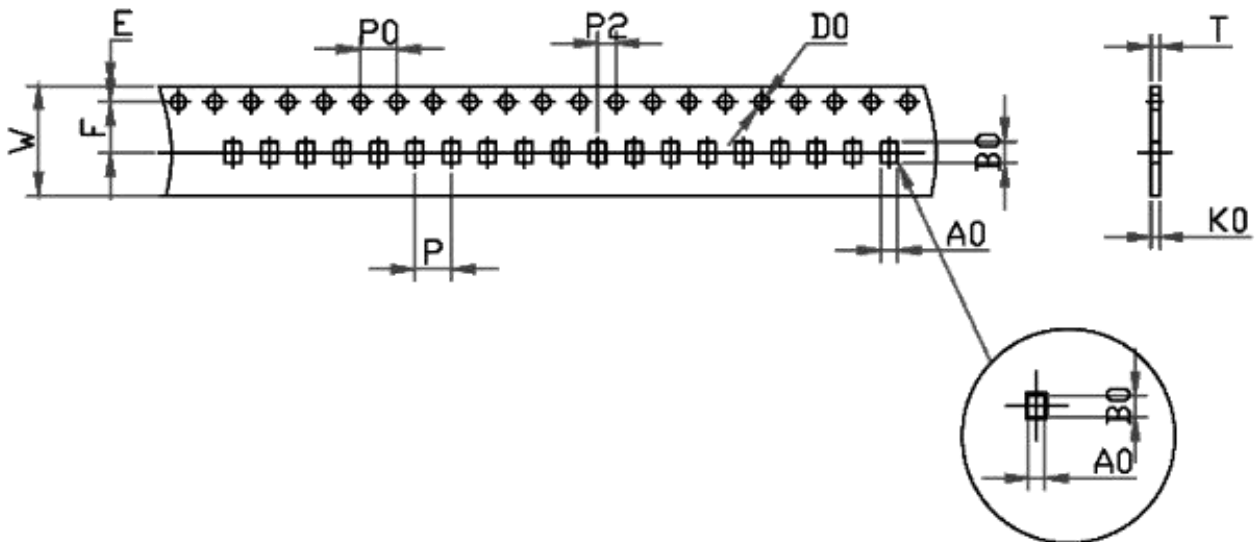


## 5 Packaging

### (1) Dimensions of Reel (mm)



### (2) Dimensions of Tape (mm):



W	A0	B0	K0	P	F	E	D	P0	P2	t	Packaging quantity
8.0 ±0.3	1.9 ±0.03	3.45 ±0.03	0.95 ±0.1	4.0 ±0.05	3.5 ±0.1	1.75 ±0.1	1.5+ 0.1/-0.0	4.0 ±0.1	2.0 ±0.1	0.95 ±0.03	4000PCS/REEL