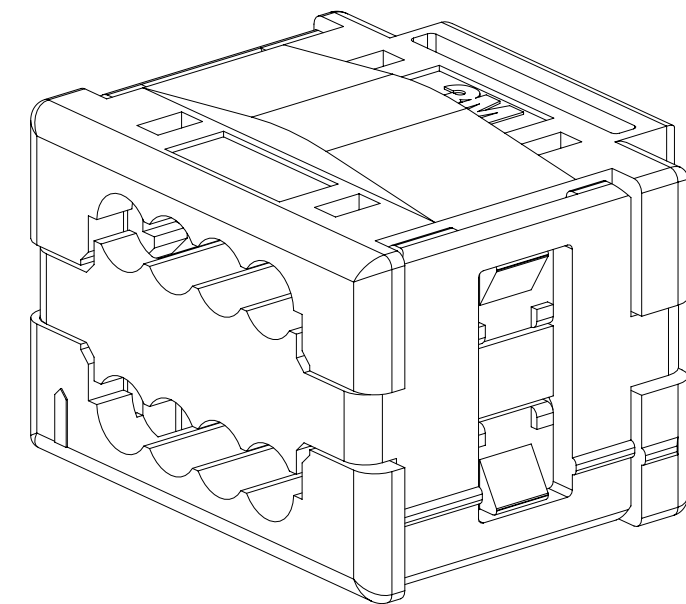


3M™ ONE PIECE BRANCH LINK WIREMOUNT CONNECTOR, 387 SERIES

NOTES

- REGULATORY INFORMATION:
VISIT 3M.com/regs
- IN THE EVENT OF CONFLICT BETWEEN THIS DATA AND THAT CONTAINED IN THE PRODUCT SPECIFICATION, THE PRODUCT SPECIFICATION TAKES PRECEDENT.

- * ONE PIECE BRANCH LINK CONNECTOR, 387 SERIES ENABLES BRANCHING INTO THE MAIN NETWORK WIRE (20 TO 16 AWG) WITH A ONE PIECE CONNECTOR THAT IS FIELD-TERMINABLE AND REQUIRES NO SPECIAL EQUIPMENT.
- * THE FIELD-TERMINABILITY PROVIDES THE ABILITY TO OPTIMIZE THE SYSTEM ROUTING.
- * THE ONE PIECE CONNECTOR DESIGN REDUCES INSTALLED SYSTEM SPACE AND REQUIRES LESS PARTS TO MANAGE DURING THE INSTALLATION.



-FF880

2 PHYSICAL :

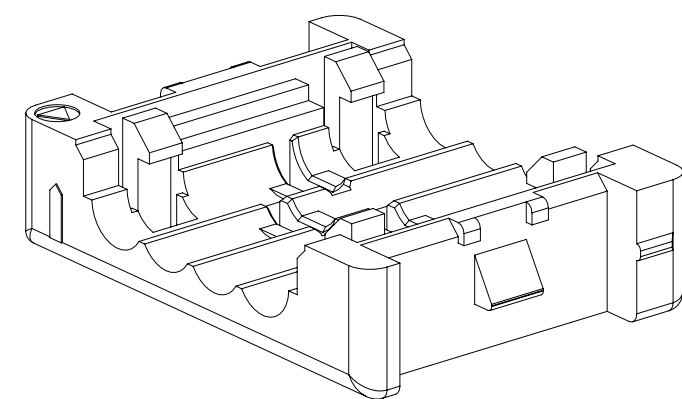
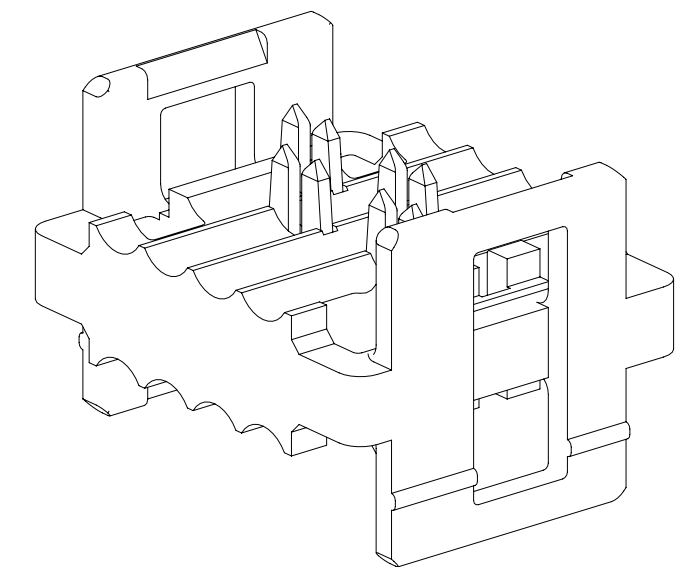
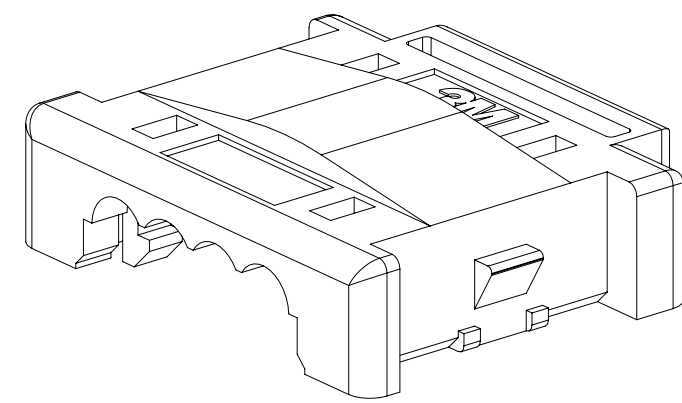
INSULATION:
 BODY: PBT/PBT PLASTIC
 COVER: PBT/PBT PLASTIC
 FLAMMABILITY: UL94V-0
 COLOR: SEE ORDERING INFO.
 CONTACT:
 MATERIAL: COPPER ALLOY
 PLATING:
 UNDER PLATING: 4.0µm AVG. NICKEL-OVERALL
 MARKINGS: 3M LOGO, POSITION INDICATOR, WIRE GAUGE AND INSULATOR MATERIAL

2 ELECTRICAL :

CURRENT RATING: 3.0 AMPS
 INSULATION RESISTANCE: >1 X 10⁹Ω AT 500 V_{DC}
 WITHSTANDING VOLTAGE: 1,000V_{RMS} AT SEA LEVEL
 VOLTAGE RATING: 32 VOLTS

2 ENVIRONMENTAL :

TEMPERATURE RATING: 20°C TO +85°C AMBIENT (1.0A MAX.)
 -20°C TO +75°C AMBIENT (2.0A MAX.)
 -20°C TO +60°C AMBIENT (3.0A MAX.)



PRE-ASSEMBLY

ORDERING INFORMATION

38704-FF880

SERIES No.

BODY AND COVER COLOR
 BODY (BLACK), CONTACTS (TYPE 3)
 BRANCH COVER (GRAY), MAIN COVER (BLACK)

3M ELECTRONICS MATERIALS SOLUTIONS DIVISION
 INTERCONNECT SOLUTIONS
<http://www.3M.com/interconnect>

3M IS A TRADEMARK OF 3M COMPANY.
 FOR TECHNICAL, SALES OR ORDERING
 INFORMATION CALL 800-225-5373

MM		
TOLERANCE - UNLESS NOTED		
	X.X	X.XX
MM	±0.3	±0.10

DESIGN REFERENCE	NEXT ASSEMBLY	REV	ECO	ISSUE DATE AND DESCRIPTION	DRFT	CHKD
				DEC 16, 2020 RELEASE FOR PRODUCTION	JNC	FJR
APPROVED	DATE	APPROVED	DATE	© 3M COPYRIGHT 2020 This document and the information it contains are 3M property and may not be reproduced or further distributed without 3M permission, or used or disclosed other than for 3M authorized purposes. All rights reserved.		
APPROVED	DATE	APPROVED	DATE	ONE PIECE BRANCH LINK WIREMOUNT CONNECTOR, 387 SERIES		
APPROVED	DATE	APPROVED	DATE	CAGE NUMBER	SIZE	DRAWING NO.
				D		78-5100-2698-8
				MODEL		REV.
				387		A
				DET. <input type="checkbox"/> YES <input checked="" type="checkbox"/> NO SHT 1 OF 3		

A REVISION
 78-5100-2698-B DRAWING NUMBER
 B
 UTC
 6
 387
 1 OF 3

