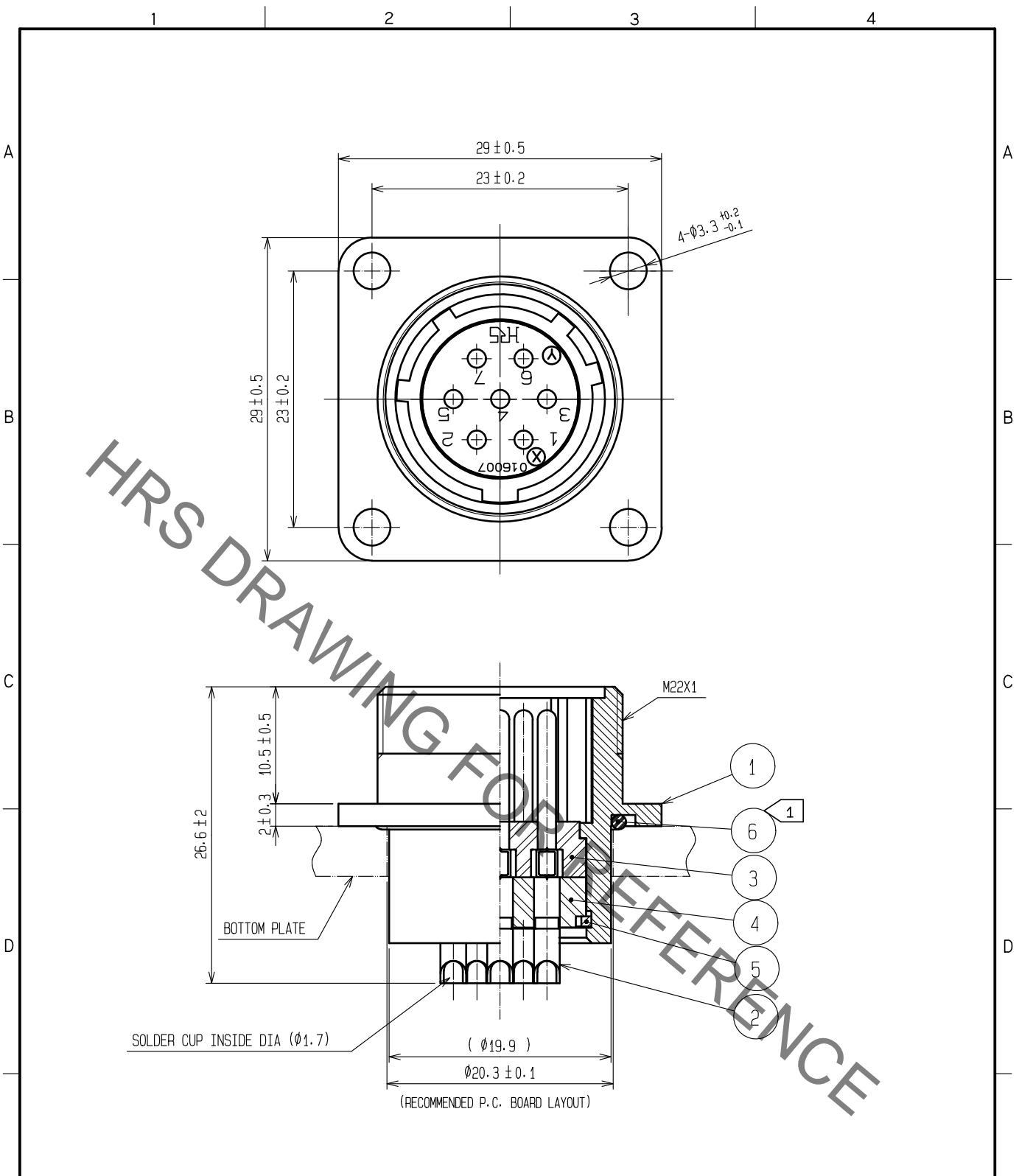


Jan.1.2022 Copyright 2022 HIROSE ELECTRIC CO., LTD. All Rights Reserved.
In case of consideration for using Automotive equipment / device which demand high reliability, kindly contact our sales window correspondents.



NOTE ① When mounted on chassis, be careful that reference no. ⑥ is fitted into the indicated groove without any biting.

3	PHENOL-FORMAL DEHYDE (BLACK)	UL94V-0	6	NBR (BLACK)			
2	COPPER ALLOY	SILVER PLATING 2μm min	5	PHOSPHOR BRONZE NICKEL PLATING			
1	ALMINUM ALLOY	BLACK CHROME PLATING	4	PHENOL-FORMAL DEHYDE (BLACK) UL94V-0			
NO.	MATERIAL	FINISH .	REMARKS	NO.	MATERIAL	FINISH .	REMARKS

UNITS mm		SCALE 2 : 1	COUNT 	DESCRIPTION OF REVISIONS	DESIGNED	CHECKED	DATE
-------------	--	----------------	-----------	--------------------------	----------	---------	------

HIROSE ELECTRIC CO., LTD.	APPROVED :HY. KOBAYASHI	18. 03. 12	DRAWING NO.	EDC-110579-31-00
	CHECKED :HY. KOBAYASHI	18. 03. 12	PART NO.	JR16WR-7P(31)
	DESIGNED :TH. KAMEYA	18. 03. 09	CODE NO.	CL114-2025-3-31
	DRAWN :TH. KAMEYA	18. 03. 09		