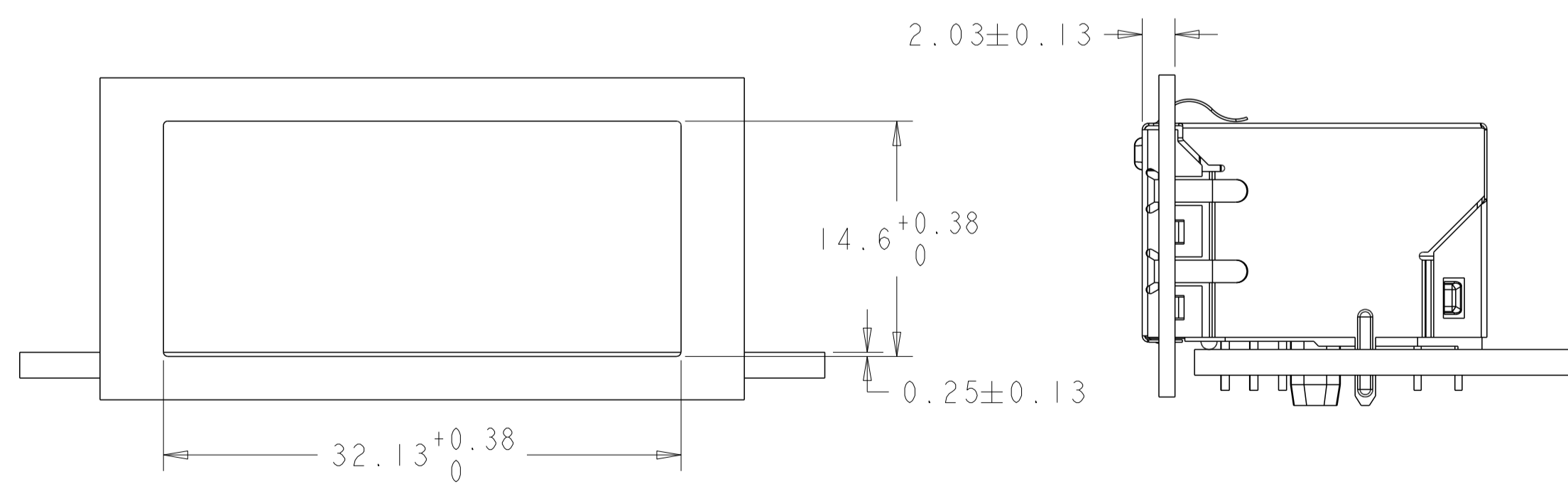
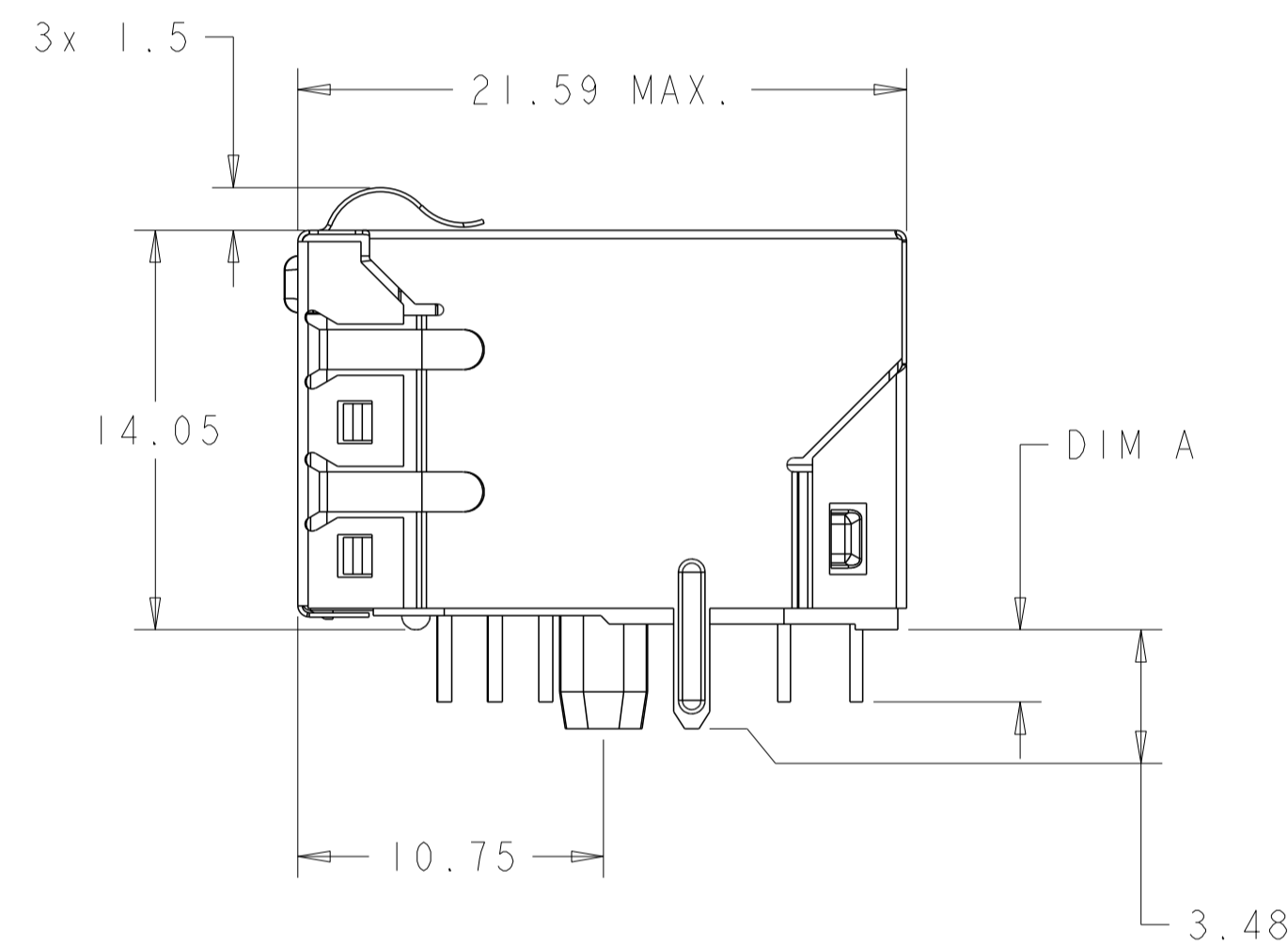
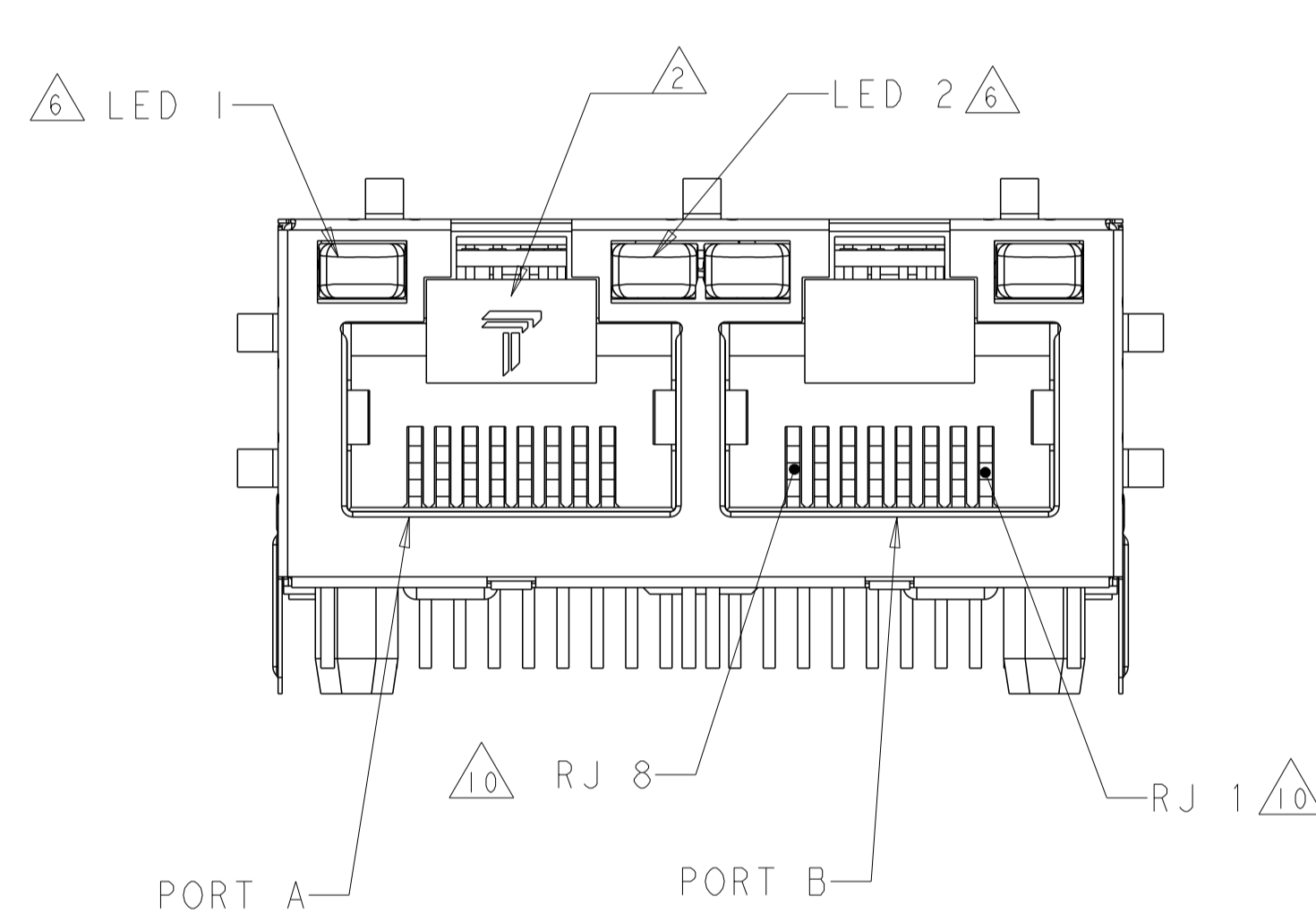
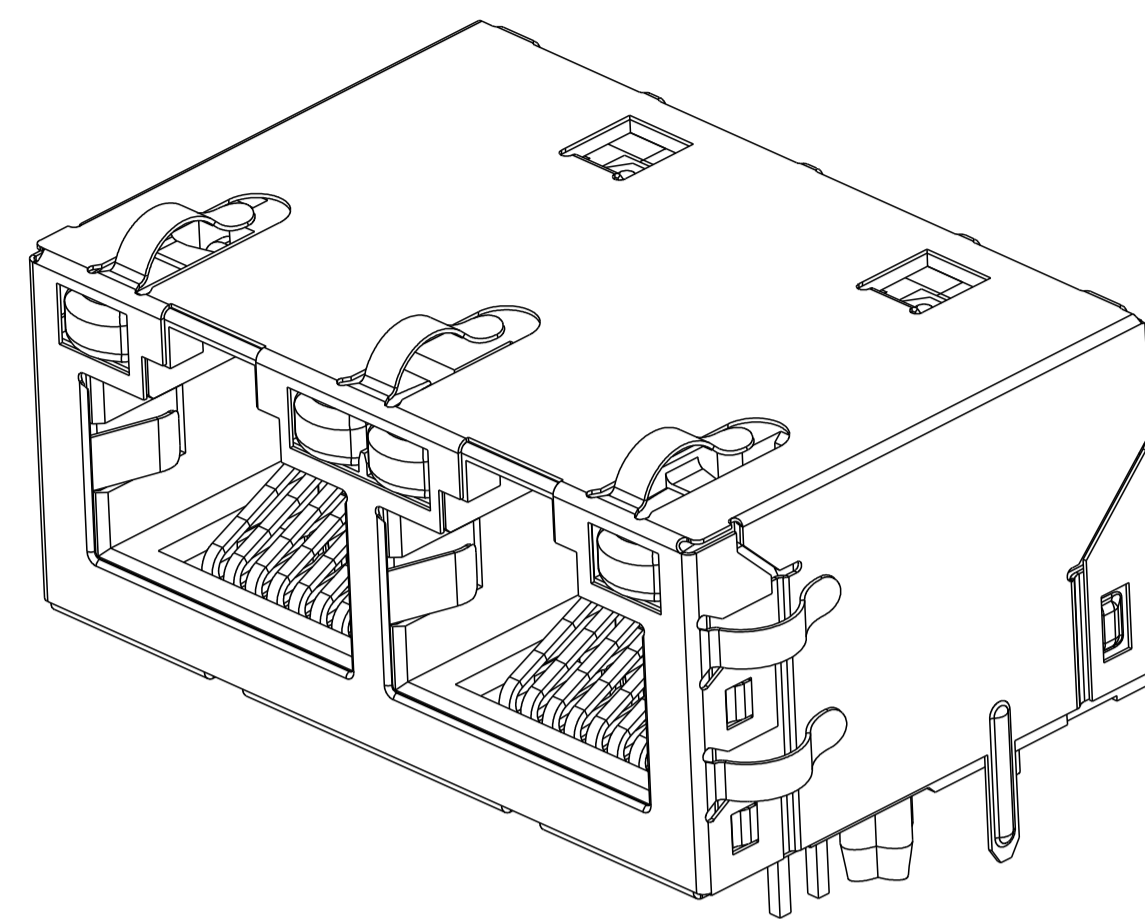
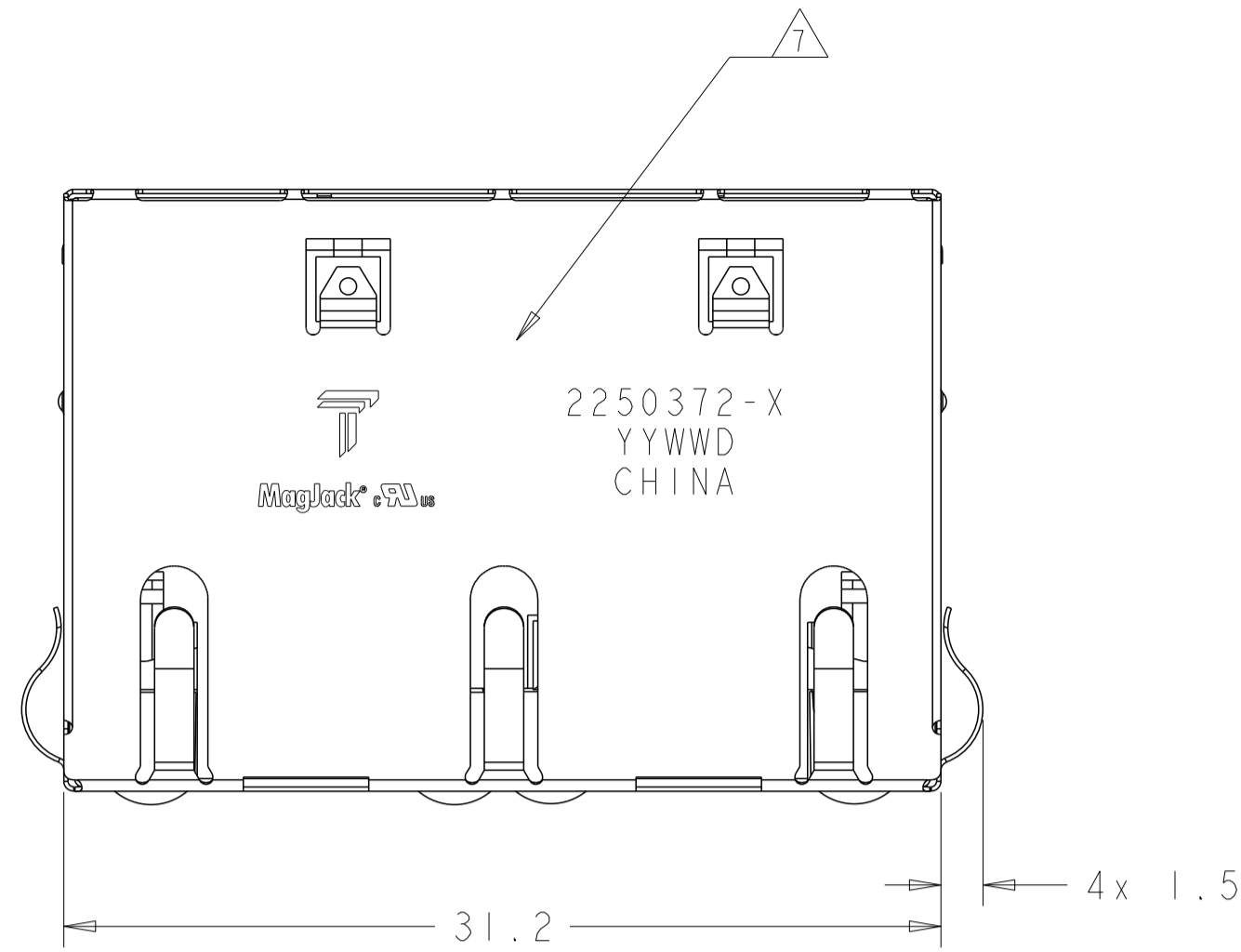


THIS DRAWING AND THE SUBJECT MATTER SHOWN THEREON ARE CONFIDENTIAL AND THE PROPERTY OF BEL/STEWART/TRP CONNECTOR AND SHALL NOT BE REPRODUCED, COPIED, OR USED IN ANY MANNER WITHOUT THE WRITTEN CONSENT OF TRP CONNECTOR.

PRODUCT MAY BE PROTECTED BY ONE OR MORE OF THE FOLLOWING US PATENTS:  
 5736910 5939955 6425781 6428361 6554638 6840817 7123117  
 7429195 7717749 7808751 6217391 6149050 7924130

| REVISIONS |            |             |           |        |
|-----------|------------|-------------|-----------|--------|
| P         | LTN        | DESCRIPTION | DATE      | APPD   |
| A         | EC-1710013 |             | 17OCT2017 | TRY TY |
| B         | EC-1903022 |             | 15MAR2019 | TRY TY |



SUGGESTED PANEL CUTOUT

1. MATERIALS

- HOUSING: THERMOPLASTIC, FLAMMABILITY RATING UL 94V-0.
- SHIELD: STAINLESS STEEL 0.15mm THICK, PREPLATED WITH 0.76 um MIN SEMI-BRIGHT NICKEL; SOLDER TABS POST PREPLATED WITH 3um TIN.
- CONTACTS: PHOSPHOR BRONZE 0.46mm X 0.30mm, PHOSPHOR BRONZE, 1.27um MIN NICKEL UNDERPLATE, WITH 1.27um MIN GOLD PLATING AT MATING INTERFACE AND 2.54um MIN MATTE TIN ON SOLDER TAILS,
- LIGHT EMITTING DIODE (LED): DIFFUSED EPOXY LENS, 0.5mm X 0.5mm CARBON STEEL WIREFRAME LEADS PREPLATED WITH 2.03um MIN. SILVER PLATE OVER 1.02um MIN. NICKEL OVER 1.02um MIN. COPPER UNDERPLATE; LEADS POST-PLATED WITH 3.05um MIN. MATTE TIN AND/OR SAC SOLDER DIP OR PURE TIN SOLDER DIP

△ RJ45 JACK CAVITY CONFORMS TO FCC RULES AND REGULATIONS PART 68 SUB PART F.

3. MAGNETICS

- APPLICATION: 10/100/1000 BASE-T
- IMPEDANCE: 100 OHMS
- TURNS RATIO (CHIP:CABLE): 1:1 ALL FOUR PAIRS
- OPEN CIRCUIT INDUCTANCE (OCL): 350uH MIN. @100kHz, 0.1VRMS, 8mADC BIAS FROM 0°C TO 70°C, ALL FOUR PAIRS
- ALL FOUR PAIRS BI-DIRECTIONAL
- PERFORMANCE @ 25°C:  
 INSERTION LOSS (IL): 1.1dB MAX. FROM 0.5MHz TO 100MHz  
 RETURN LOSS (RL): 18dB MIN FROM 0.5MHz TO 40MHz  
 12-20LOG(f/80)dB MIN. FROM 40.1MHz TO 100MHz  
 CROSSTALK ATTENUATION: 35dB MIN. FROM 0.5MHz TO 40MHz  
 33-20LOG(f/50)dB MIN. FROM 40.1MHz TO 100MHz  
 COMMON MODE REJECTION RATIO (CMRR): 30dB MIN. FROM 0.5MHz TO 100MHz
- ISOLATION VOLTAGE: 2250VDC FOR 60 SECONDS WITH A RISE TIME OF 500 V/SEC

4. OPERATING TEMPERATURE: FROM 0°C TO +70°C.

△ INDICATED MAGNETIC CONNECTIONS ARE SYMMETRICAL TO SUPPORT AUTO-MDI/MDIX.

△ THE 250 OHM RESISTOR IS OPTIONAL, PLEASE SEE CHART FOR PRESENCE OF LED RESISTORS  
 IF LEDS WITHOUT 250 OHM RESISTOR, LEDS ARE DRIVEN WITH CONSTANT CURRENT AT APPROX 20mA  
 LED COLOR: DOMINATE WAVELENGTH (λD): GREEN 568 nm TYP @ IF=20mA  
 FORWARD VOLTAGE (VF): GREEN 2.2V TYP @ IF 20mA  
 DOMINATE WAVELENGTH (λD): YELLOW 588 nm TYP @ IF=20mA  
 FORWARD VOLTAGE (VF): YELLOW 2.1V TYP @ IF 20mA  
 IF LEDS WITH BUILT-IN 250 OHM RESISTOR, LEDS ARE DRIVEN WITH 5V VOLTAGE AND THE MAX OPERATING CURRENT IS 20mA  
 LED COLOR: DOMINATE WAVELENGTH (λD): GREEN 568 nm TYP @ VF=5V  
 FORWARD CURRENT (IF): GREEN 12mA TYP @ VF=5V  
 DOMINATE WAVELENGTH (λD): YELLOW 588 nm TYP @ VF=5V  
 FORWARD CURRENT (IF): GREEN 13mA TYP @ VF=5V

△ TRP CONNECTOR LOGO, PART NUMBER, DATE CODE, COUNTRY OF ORIGIN AND AGENCY APPROVAL MARKING IN APPROXIMATE LOCATION SHOWN.

△ THE PART COMPLIANTS TO WAVE SOLDERING PROCESS, PREHEAT TEMPERATURE IS 120°C TO 160°C, 120 SECONDS TO 180 SECONDS, PEAK SOLDERING TEMPERATURE IS 260°C MAX, 10 SECONDS MAX.

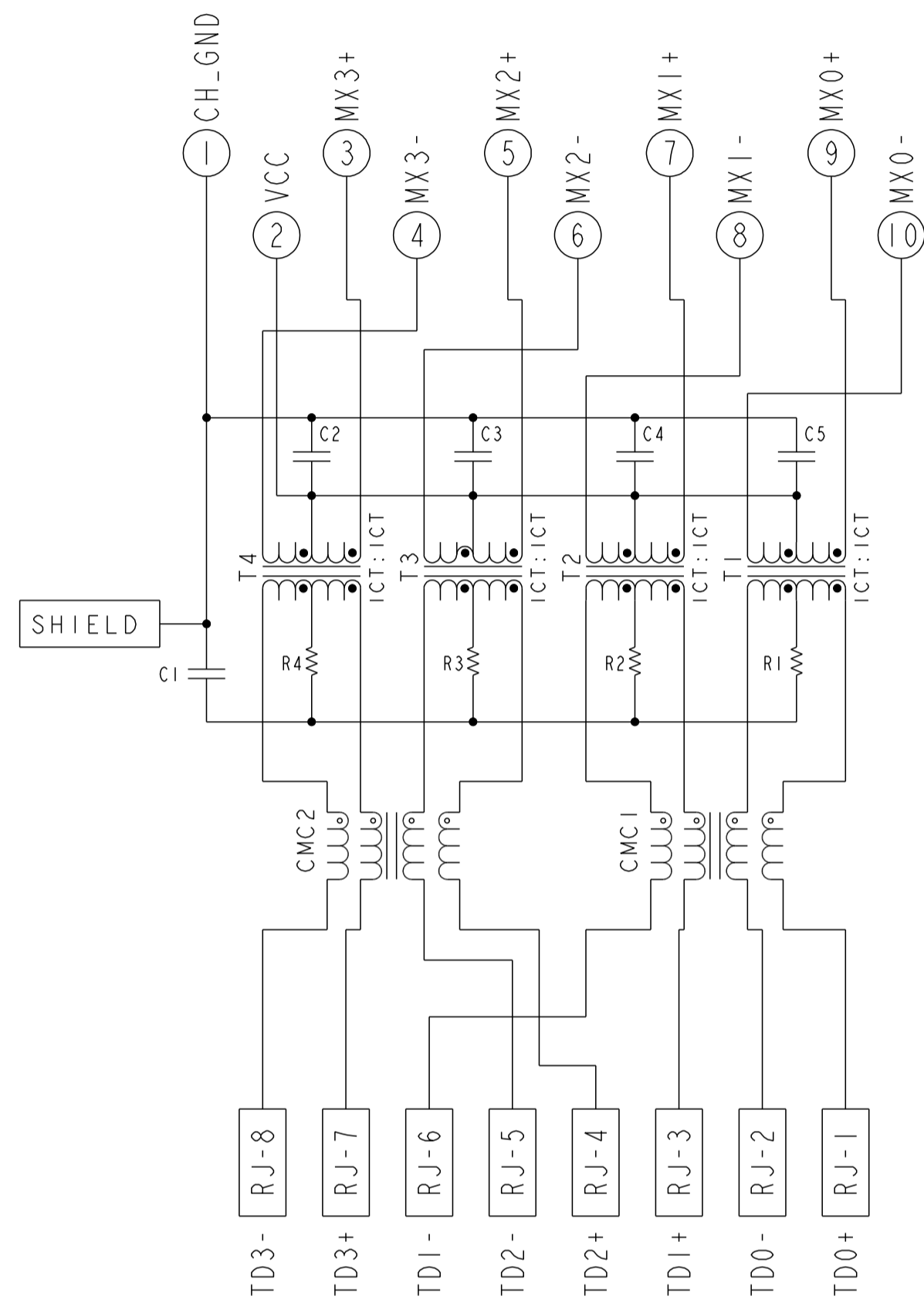
△ THE PART COMPLIANTS TO IR REFLOW SOLDERING PROESS, PEAK SOLDERING TEMPERATURE 260°C MAX. DURATION TIME 10 SECONDS MAX., OVER 230 °C WITHIN 40 TO 60 SECONDS.

△ CONTACT LUBRICANT IN MATING AREA. FOR 2250372-8 ONLY

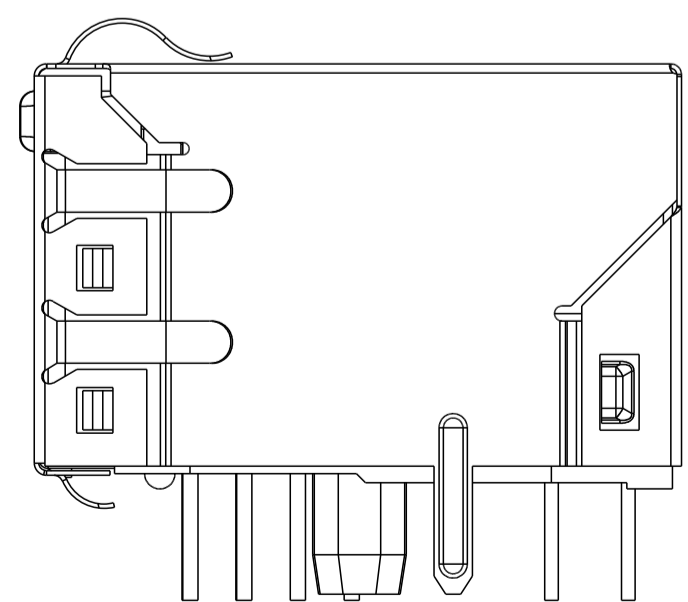
|      |                   |               |                  |       |   |        |                         |  |        |             |           |
|------|-------------------|---------------|------------------|-------|---|--------|-------------------------|--|--------|-------------|-----------|
| △10  | WAVE △8           | TOP AND SIDES | PBT              | 3.68  | YELLOW                                  | GREEN  | NO                      | YELLOW                                     | GREEN  | NO          | 2250372-8 |
| NONE | WAVE △8           | TOP AND SIDES | PBT              | 3.68  | -                                       | GREEN  | NO                      | -  | GREEN  | NO          | 2250372-7 |
| NONE | REFLOW △9         | TOP AND SIDES | HTN              | 3.68  | -                                       | YELLOW | NO                      | -  | GREEN  | NO          | 2250372-6 |
| NONE | REFLOW △9         | TOP AND SIDES | HTN              | 3.68  | -                                       | YELLOW | YES                     | -  | GREEN  | YES         | 2250372-5 |
| NONE | WAVE △8           | ALL           | PBT              | 3.68  | -                                       | GREEN  | YES                     | -  | YELLOW | YES         | 2250372-4 |
| NONE | WAVE △8           | TOP AND SIDES | PBT              | 2.54  | YELLOW                                  | GREEN  | NO                      | YELLOW                                     | GREEN  | NO          | 2250372-3 |
| NONE | WAVE △8           | TOP AND SIDES | PBT              | 3.68  | YELLOW                                  | GREEN  | NO                      | YELLOW                                     | GREEN  | NO          | 2250372-2 |
| NONE | WAVE △8           | TOP AND SIDES | HTN              | 2.54  | -                                       | GREEN  | YES                     | -  | GREEN  | YES         | 2250372-1 |
| LUBE | SOLDERING PROCESS | SHIELD TABS   | HOUSING MATERIAL | DIM A | D1 ← D2 D1 → D2<br>LED 1 △6<br>LED 2 △6 |        | LED 1 250 OHM RESISTORS | D3 ← D4 D3 → D4<br>LED 2 250 OHM RESISTORS |        | PART NUMBER |           |

|   |  |                                       |                                  |
|---|--|---------------------------------------|----------------------------------|
| THIS DRAWING IS A CONTROLLED DOCUMENT AND COMPLIANT TO ASME Y14.5M                                    |  | OWN: TOWER YU / YI LIU 18FEB2016      | DONGGUAN CHINA<br>a bel group    |
| DIMENSIONS: mm  |  | CHK: BILL LIU 18FEB2016               |                                  |
| TOLERANCES UNLESS OTHERWISE SPECIFIED:  |  | APPD: TONY YUAN 18FEB2016             | MODEL NAME: MAGJACK GANG NON-POE |
| 0 PLC ±0.25<br>1 PLC ±0.25<br>2 PLC ±0.25<br>3 PLC ±0.25<br>4 PLC ±<br>ANGLES ±<br>APPLICATION SPEC ± |  | DESC: 1X2 7G15I GIGABIT TAB UP W/ LED | SIZE: A1                         |
| PRODUCT SPEC: 108-104004  |  | SCALE: 4:1                            | SHEET 1 OF 2                     |
|   |  | CUSTOMER DRAWING                      | REV B                            |

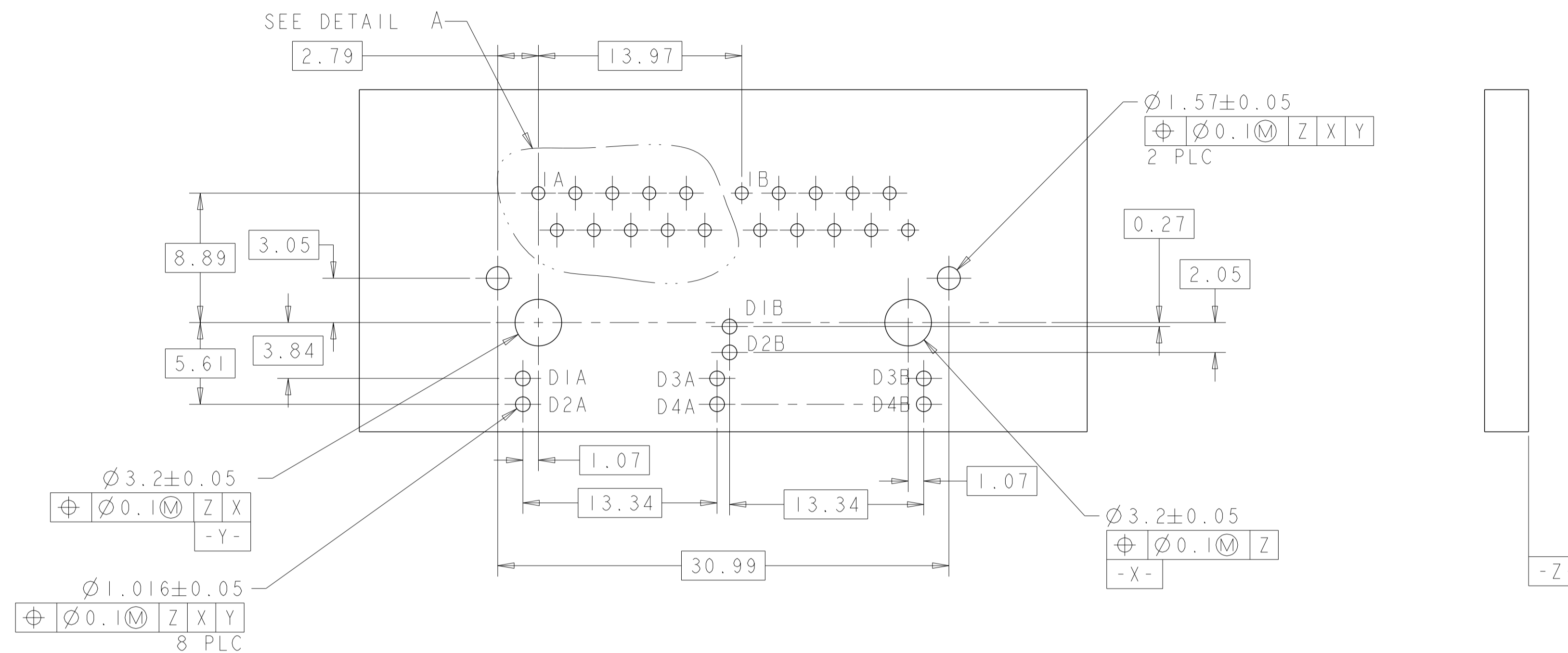
7G151 GIGABIT CIRCUIT



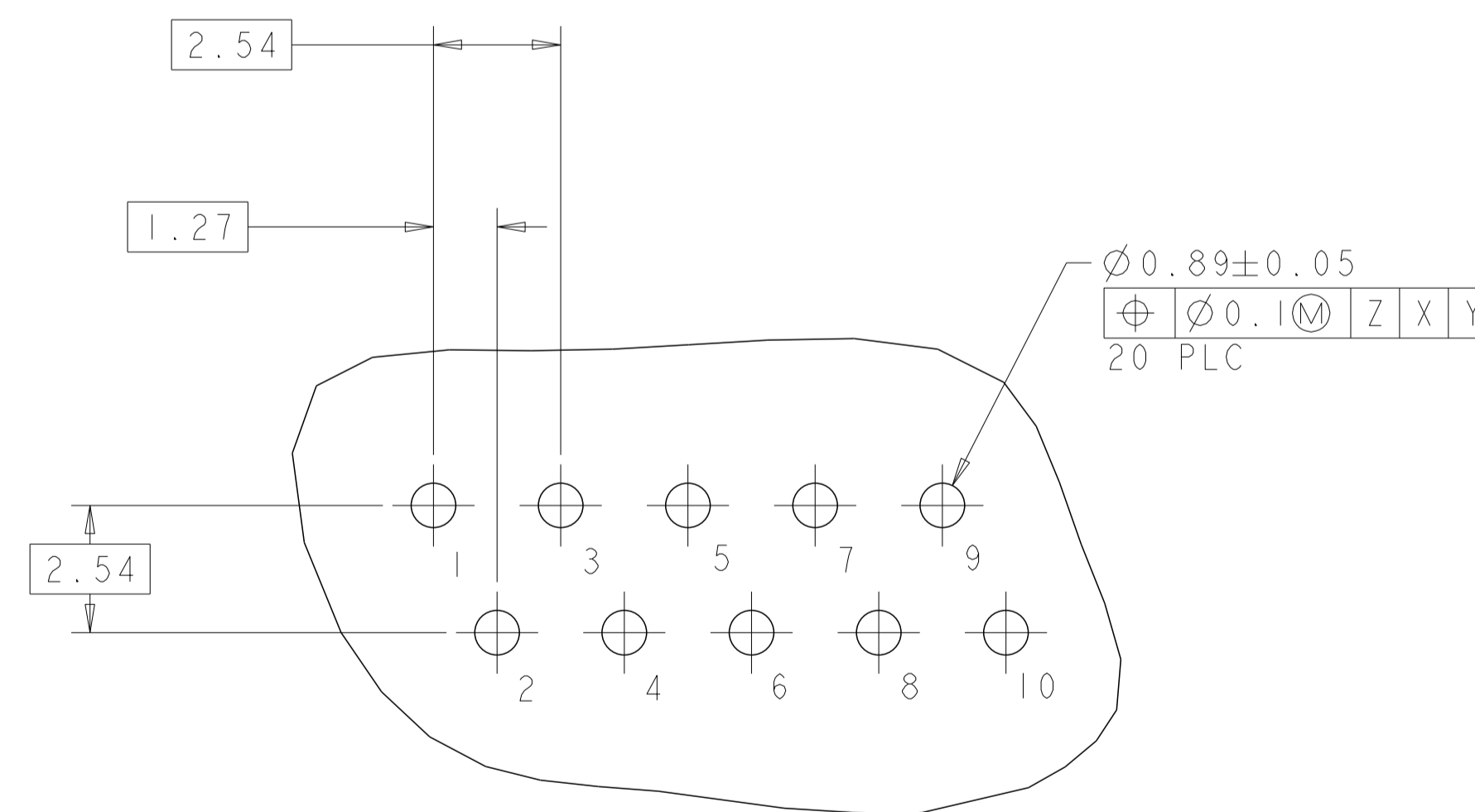
C1 = 1000pF, 2kV CAPACITOR  
 R1-R4 = 75 Ohms, RESISTORS  
 C2-C5 = 0.1μF, CAPACITORS



2250372-4



SUGGESTED CUSTOMER PCB  
(COMPONENT SIDE)



DETAIL A  
SCALE 8:1

|   |  |   |                |
|---|--|---|----------------|
| THIS DRAWING IS A CONTROLLED DOCUMENT.<br>AND COMPLIANT TO ASME Y14.5M  |  | DWG: TOWER YU / YI LIU 18FEB2016<br>CHK: BILL LIU 18FEB2016<br>APP'D: TONY YUAN 18FEB2016 | DONGGUAN CHINA |
| DIMENSIONS: mm<br>TOLERANCES UNLESS OTHERWISE SPECIFIED:<br>0 PLC ±0.25<br>1 PLC ±0.25<br>2 PLC ±0.25<br>3 PLC ±0.25<br>4 PLC ±0.25<br>ANGLES ±°<br>APPLICATION SPEC ±° | MODEL NAME: MAGJACK GANG NON-POE<br>DESC: 1X2 7G151 GIGABIT TAB UP W/ LED<br>SIZE: A1<br>CAGE CODE: 2250372<br>DRAWING NO: 2250372 | RESTRICTED TO: -<br>SCALE: 4:1<br>SHEET: 2 OF 2<br>REV: B                                 |                |
| PRODUCT SPEC: 108-104004  | CUSTOMER DRAWING   |   |                |