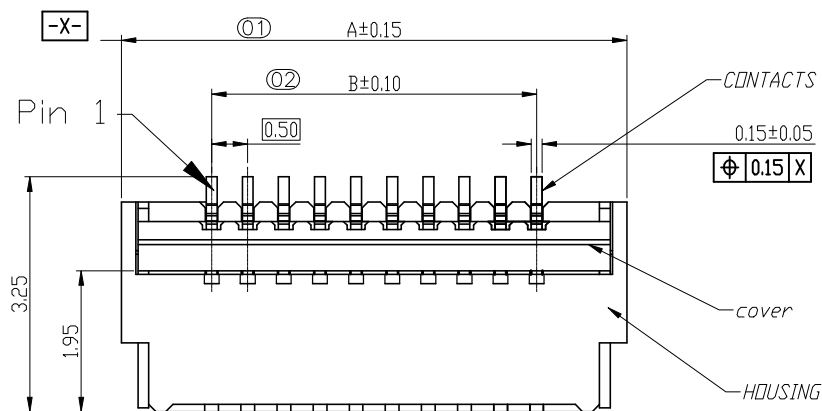
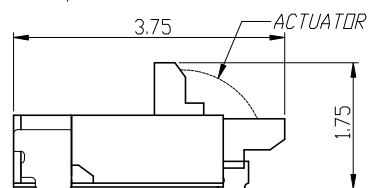
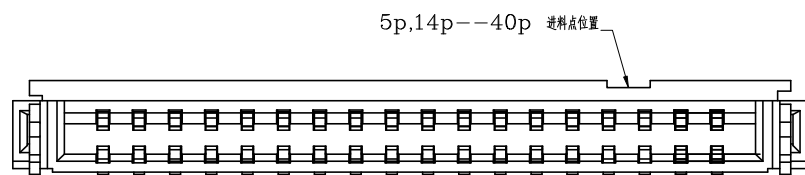
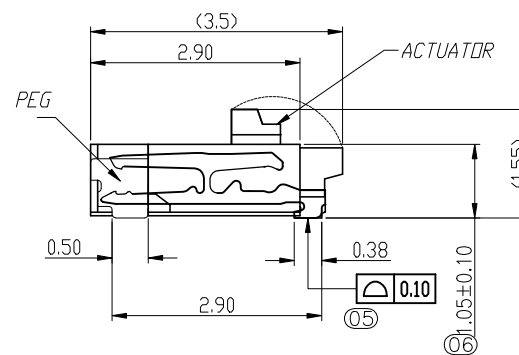
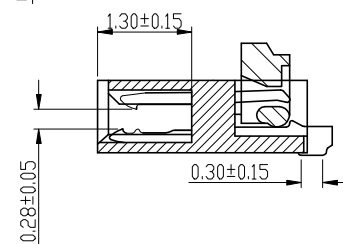
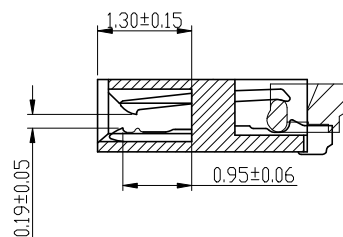
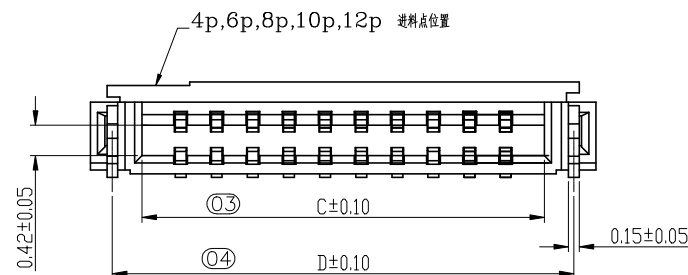


REV	ECN NO.	LOCAS.	DESCRIPTION	DATE	DESIGN
A			NEW DRAWING		



NOTE:
 1. MATERIAL:
 HOUSING: LCP (UL94-V0), COLOR: NATURAL.
 CONTACTS: COPPER ALLOY.
 PEG: COPPER ALLOY.
 ACTUATOR: LCP OR PA (UL94-V0). COLOR:BLACK
 2. RATING:
 OPERATING VOLTAGE: 50Vrms AC.
 CURRENT RATING: 0.5A.
 OPERATING TEMPERATURE: -55°C~+85°C.
 OPERATING HUMIDITY RANGE: RELATIVE HUMIDITY 90% MAX.(NO CONDENSATION)
 STORAGE TEMPERATURE RANGE: -10°C~+50°C.
 STORAGE HUMIDITY RANGE: RELATIVE HUMIDITY 90% MAX.(NO CONDENSATION)

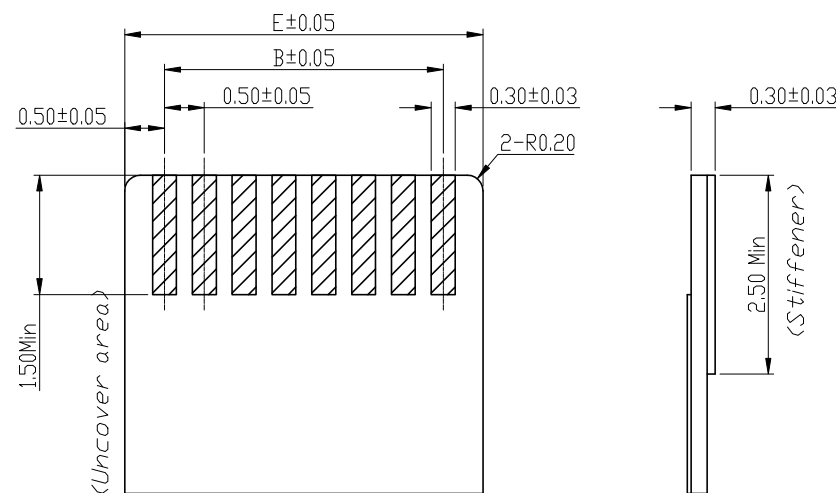
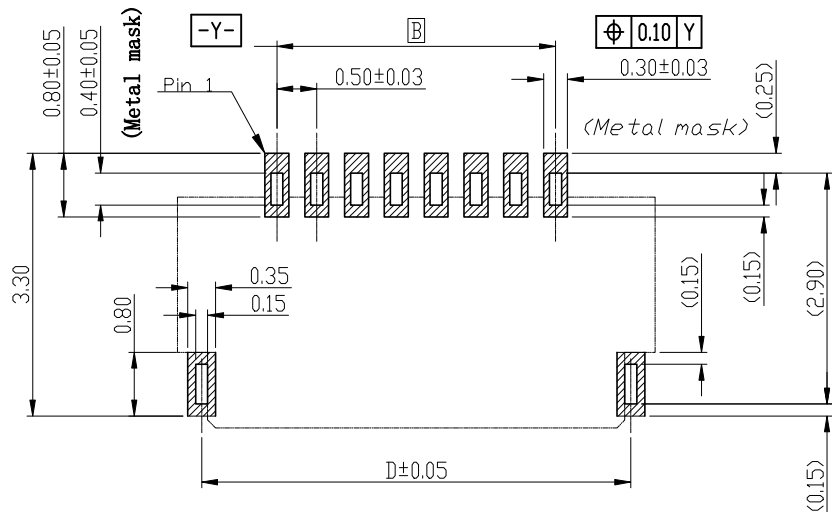


Log covre typ e

DESIGN:	Xiping Huang			
CHECK:	Ke Tian			
APPROVED:	Youquan Xu			
DIM	TOL	DIM	TOL	
X.	±0.25	X°	±3.0°	
X.X	±0.20	X.X°		
X.XX	±0.15	X.XX°		
X.XXX		X.XXX°		

 **广东国连电子有限公司**
 GUANGDONG GUOLIAN ELECTRONICS CO., LTD

TITLE:	0.5前插后拔H1.0			
PART NO.	0510-GX-NPWB-GF-**			
REV. A	SCALE: N/A	UNIT: mm	SHEET: 1/1	




Recommended PCB mounting pattern and metal mask dimensions

Recommended metal mask thickness: $t=0.1$

Recommended FPC/FFC Dimensions

Number of Contacts	DIM A	DIM B	DIM C	DIM D	DIM E
50	27.00	24.50	25.57	26.39	25.50
45	24.50	22.00	23.07	23.89	23.00
40	22.00	19.50	20.57	21.39	20.50
36	20.00	17.50	18.57	19.39	18.50
34	19.00	16.50	17.57	18.39	17.50
32	18.00	15.50	16.57	17.39	16.50
30	17.00	14.50	15.57	16.39	15.50
28	16.00	13.50	14.57	15.39	14.50
26	15.00	12.50	13.57	14.39	13.50
24	14.00	11.50	12.57	13.39	12.50
22	13.00	10.50	11.57	12.39	11.50
20	12.00	9.50	10.57	11.39	10.50
18	11.00	8.50	9.57	10.39	9.50
16	10.00	7.50	8.57	9.39	8.50
15	9.50	7.00	8.07	8.89	8.00
14	9.00	6.50	7.57	8.39	7.50
13	8.50	6.00	7.07	7.89	7.00
12	8.00	5.50	6.57	7.39	6.50
10	7.00	4.50	5.57	6.39	5.50
9	6.5	4.00	5.07	5.89	5.00
8	6.00	3.50	4.57	5.39	4.50
7	5.5	3.00	4.07	4.89	4.00
6	5.00	2.50	3.57	4.39	3.50
5	4.5	2.00	3.07	3.89	3.00
4	4.00	1.50	2.57	3.39	2.50

Long cover type

DESIGN:	Xiping Huang		 广东国连电子有限公司 GUANGDONG GUOLIAN ELECTRONICS CO., LTD
CHECK:	Ke Tian		
APPROVED:	Youquan Xu		
TITLE:	0.5前插后拔H1.0		
DIM	TOL	DIM	TOL
X.	±0.25	X°	±3.0°
X.X	±0.20	X.X°	
X.XX	±0.15	X.XX°	
X.XXX		X.XXX°	
REV.	A	SCALE:	N/A
UNIT:	mm	SHEET:	1/1