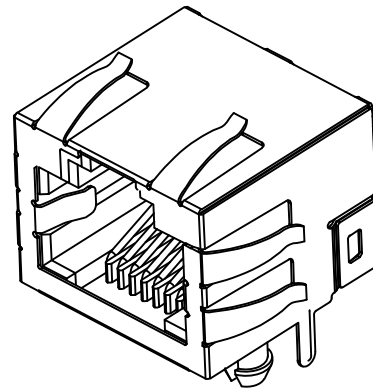
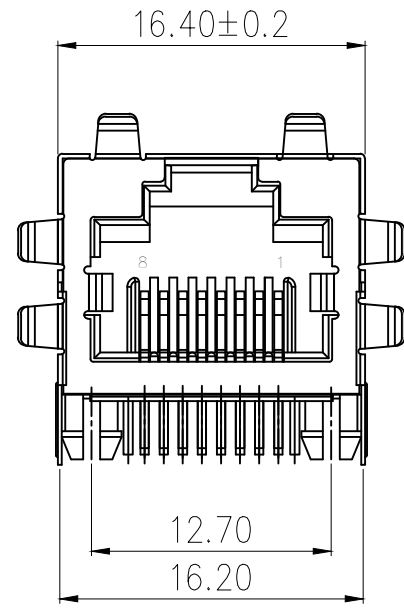
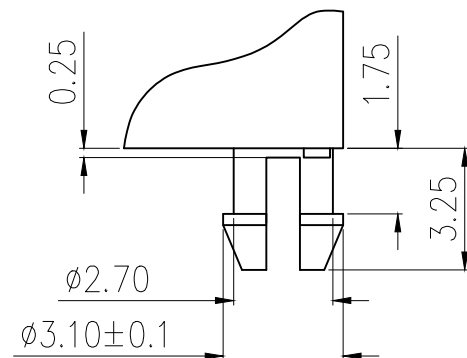
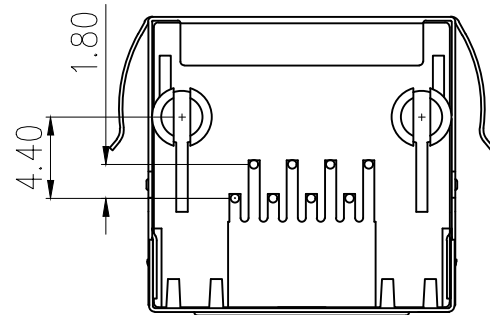
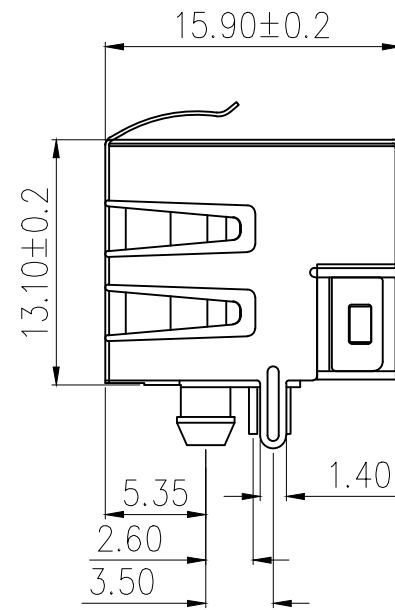


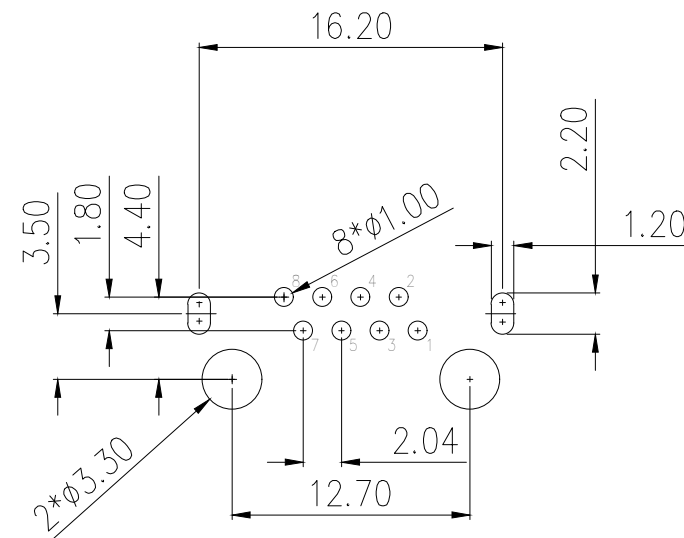
标记 MARK	ECN编号/变更内容 ECN NO/DEFINITION	修改 REVISE	日期 DATE	核准 APPROVE



3D VIEW



DETAIL "X"
SCALE 2:1





RECOMMENDER P. C. B. LAYOUT TOP VIEW
(COMPONENT SIDE TOLERANCE ±0.05)

NOTES:

- MATERIAL:
 - HOUSING: PBT ,COLOR IS BLACK;
 - CONTACT: PHOSPHOR BRONZE, $\phi 0.46 \pm 0.02 \text{mm}$;
 - SHELL: BRASS $T=0.2 \pm 0.02 \text{mm}$;
- FINISH:
 - CONTACT: PLATED GOLD OVER NI;
 - SHELL: NI OVER ALL;
- RECINNEBDED PCB THICKNESS: 1.60mm;
- ELECTRICAL:
 - VOLTAGE RATING: 125 VAC RMS;
 - CURRENT RATING: 1.5 AMP;
 - CONTACT RESISTANCE: 35MILLIOHMS MAX.;
 - WITHSTAND VOLTAGE: 1000 VAC RMS 50(60)Hz,1MIN.;
 - INSULATION RESISTANCE: 1000MEGOHMS MIN @500V DC;
- MECHANICAL:
 - MATING/UNMATING FORCE: 25N MAX.;
 - RETENTION STRENGTH: 50N MIN.;
 - OPERATING LIFE: 750 CYCLES MIN.;
- SALT SPRAY TEST: 12H(Excluding riveted bends);
- SOLDERABILITY: $245 \pm 5^\circ \text{C}, 5 \pm 0.5 \text{S}$;
- RESISTANCE TO SOLDER: $260 \pm 5^\circ \text{C}, 10 \pm 1 \text{S}$;
- ENVIRONMENTAL:
 - STORAGE TEMPERATURE RANGE: $-40^\circ \text{C} \sim +85^\circ \text{C}$;
 - OPERATION TEMPERATURE RANGE: $-25^\circ \text{C} \sim +70^\circ \text{C}$;
- MATES WITH: MODULAR PLUGS THAT CONFORM TO FCC REGULATION PART 68.500;

序号	品名	材质	电镀/颜色	备注
3	外壳	铜	镀镍	
2	接触	铜	镀金G/F	
1	基座	PBT	黑色	

 深圳市虹成电子有限公司 UNLESS OTHERWISE, GENERAL TOLERANCE: X. xxx ±0.10 X. xx ±0.20 X. x ±0.30 ANGULAR: X. xx° ±1° X. x° ±3° X. ° ±5°	品名 TITLE	网口		
	料号 PART NO	HC-WK88-H16-KT		
比列 SCALE	1:1	制图 DRAW	AhYe	
单位 UNIT	MM	审核 CHECKED	夏操云	
张数 PART NO	1 OF 1	批准 APPROVE	赵亮亮	
版本 REV	A			