

REV.	MODIFICATION.	DATE	DRN
01	CO2011186	16/08/11	SF
02	CO2011232	24/01/12	SF

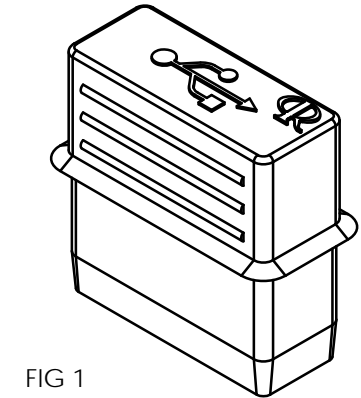
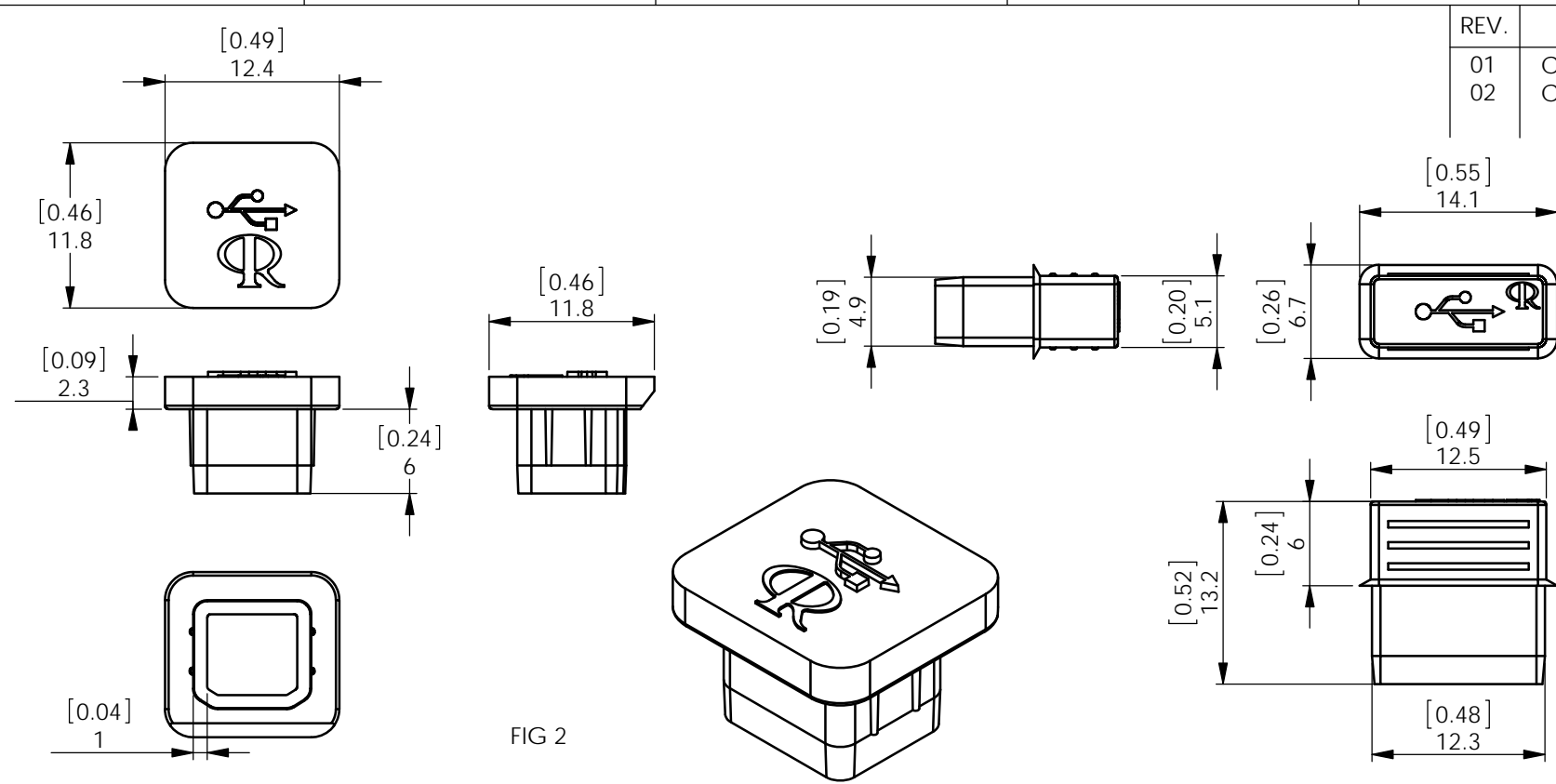


FIG 2

FIG 1

ALTERNATE UNITS FOR REFERENCE ONLY

PART NUMBER	MATERIAL	STYLE
CP-USB-A	SILICONE RUBBER 70 SHORE A (RMS-383)	FIG 1
CP-USB-A-429	EPDM RUBBER - 70 SHORE A(RMS-427)	FIG 1
CP-USB-B	SILICONE RUBBER 70 SHORE A (RMS-383)	FIG 2
CP-USB-B-429	EPDM RUBBER - 70 SHORE A(RMS-427)	FIG 2

INFORMATION CONTAINED IN THIS DOCUMENT IS CONFIDENTIAL TO RICHCO INTERNATIONAL Co. Ltd. AND MAY NOT BE DISCLOSED OR REPRODUCED IN WHOLE OR PART WITHOUT THEIR WRITTEN CONSENT.

<b>RICHCO, INC.</b> WWW.RICHCO-INC.COM	ALL DIMENSIONS IN mm GENERAL TOLERANCES $\pm 0.25$ UNLESS OTHERWISE STATED 1 DECIMAL PLACE $\pm$ 2 DECIMAL PLACES $\pm$ ANGULAR $\pm 1^\circ$	THIRD ANGLE 

MATERIAL: SEE TABLE		COLOUR: Black	
DESCRIPTION: USB Dust Cover		PART No: SEE TABLE	
DRG No: 011-083	NPR No: EU09-0006	SHEET SIZE A4	
DRN SF	DATE 16/08/11	CHKD TC	DATE 16/08/11
SCALE NTS	SHEET No. 1 OF 1		