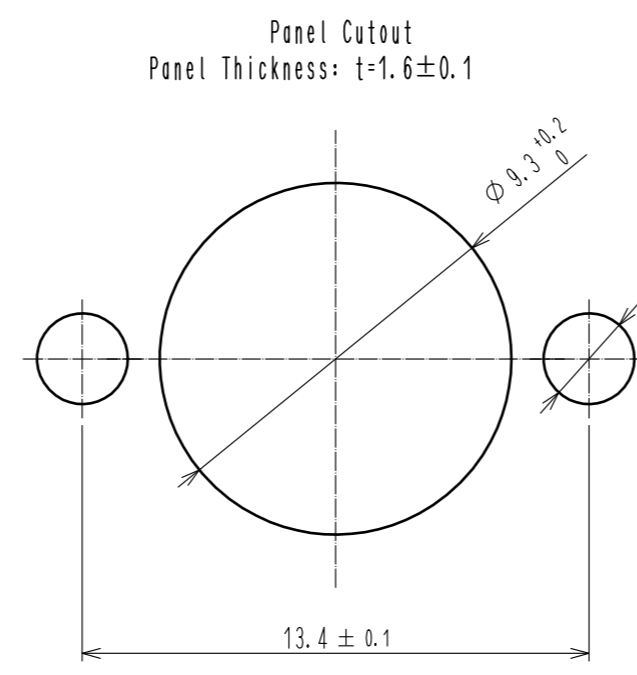
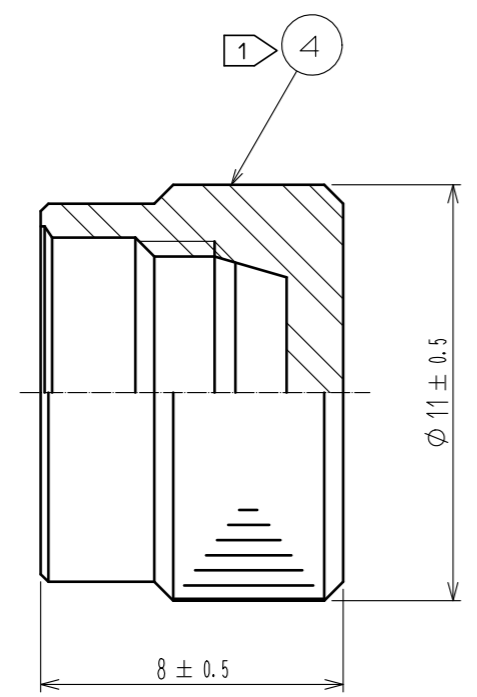
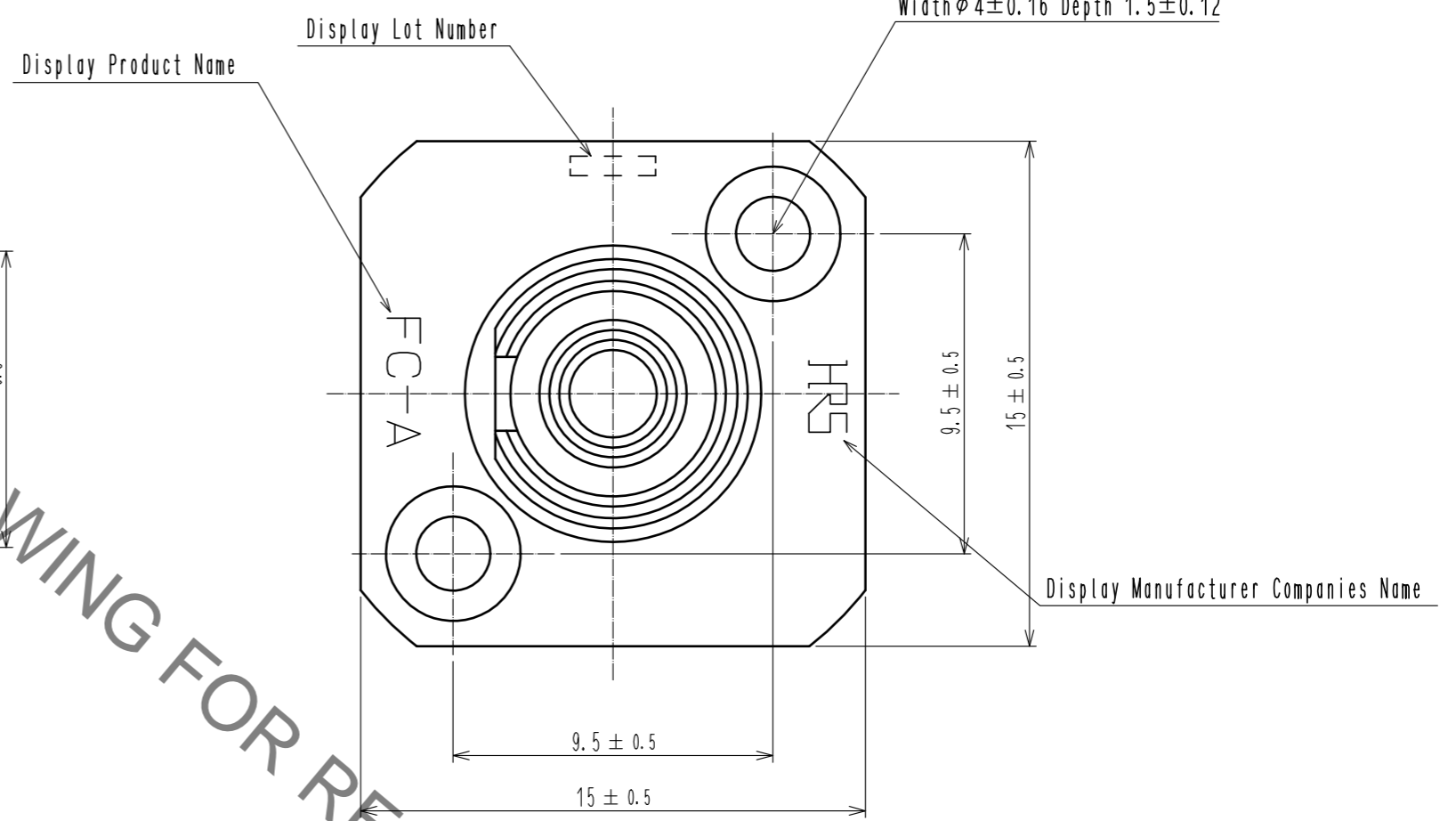
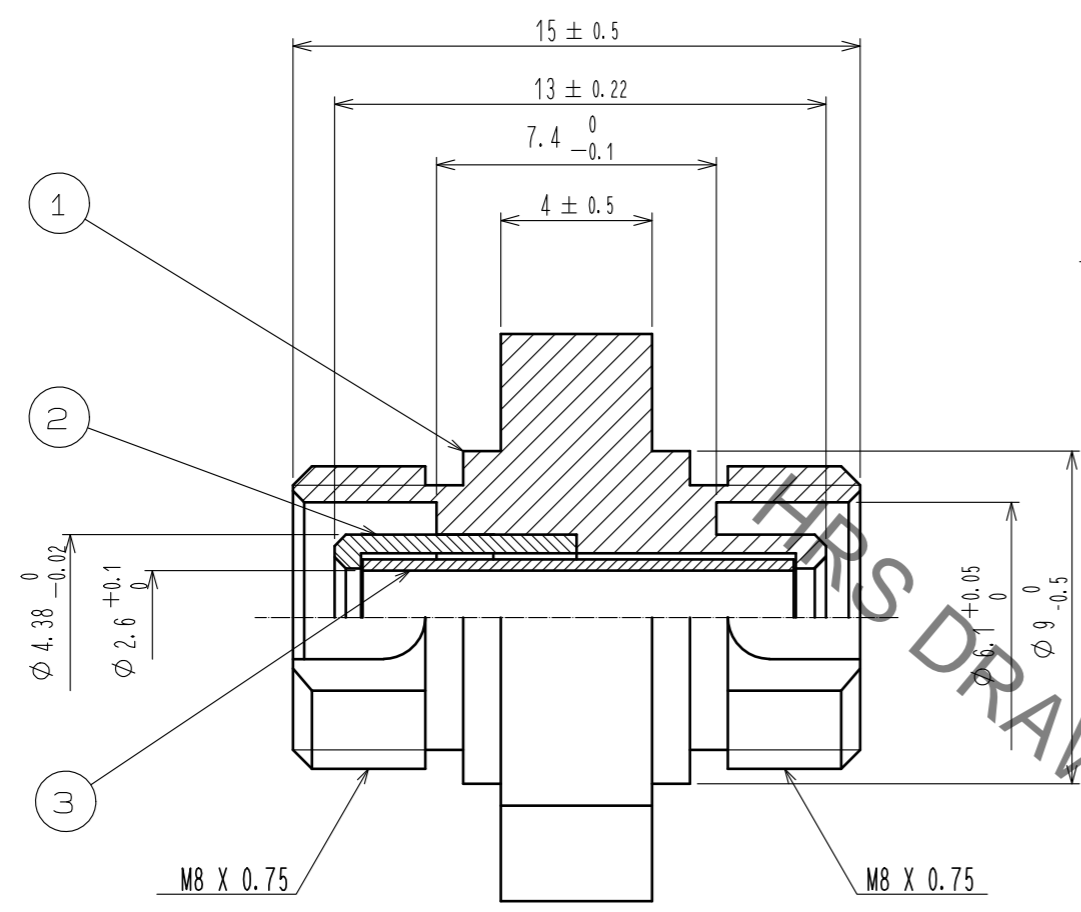


Jan.1.2022 Copyright 2022 HIROSE ELECTRIC CO., LTD. All Rights Reserved.
 In case of consideration for using Automotive equipment / device which demand high reliability, kindly contact our sales window correspondents.



Panel Cutout
 Panel Thickness: $t=1.6 \pm 0.1$

Note 1 Part Number 4(Cap). Will be Mounted to Both Sides of the Adapter.
 2 When the Plug is Mated, The act of Mating can cause the Zirconia Part(Split Sleeve) to break. Please Handle With Care

2	Brass	Nickel Plating	4	POM	White
1	Brass	Nickel Plating	3	Zirconia	
NO.	MATERIAL	FINISH . REMARKS	NO.	MATERIAL	FINISH . REMARKS
UNITS		SCALE	COUNT	DESCRIPTION OF REVISIONS	
mm		5 : 1		DESIGNED	CHECKED
HRS HIROSE ELECTRIC CO., LTD.		APPROVED : JN. INASAKA	20190204	DRAWING NO. EDC-171757-40-00	
		CHECKED : YY. HIYAMA	20190131	PART NO. HRFC-PA11-D1(40)	
		DESIGNED : BENJAMIN RILEY	20190130	CODE NO. CL701-0106-5-40	
		DRAWN : BENJAMIN RILEY	20190130		