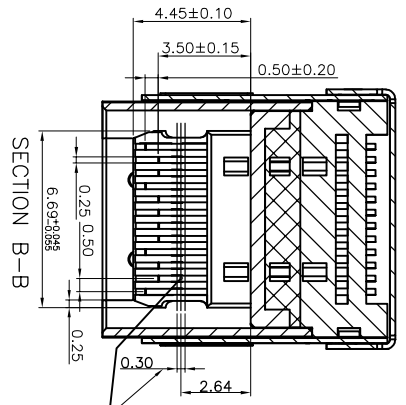
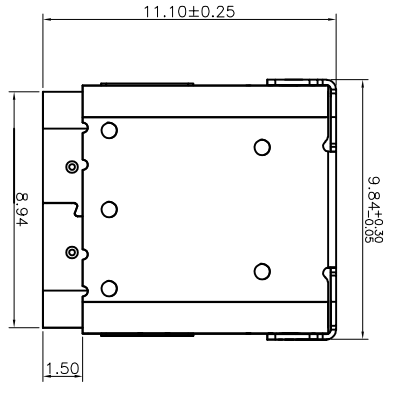
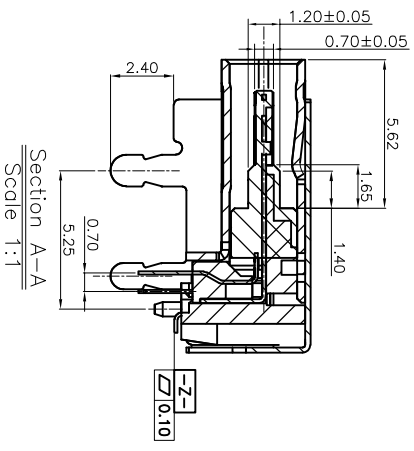
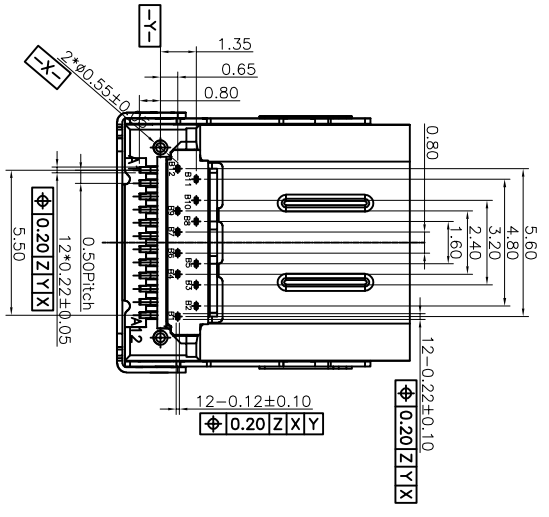
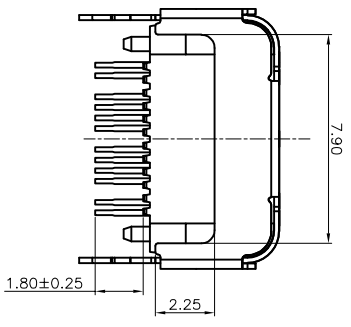
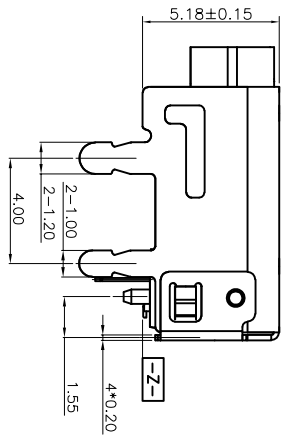
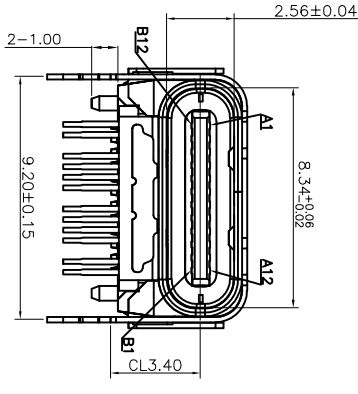


REV.	ECN NO.	DESCRIPTION	DATE	DESIGN



膜厚测试区域



TOLERANCE		NAME(INTENDED USE)	
X.X ±0.30	X: ±10'	CUSTOMER DRAWING	
.XX ±0.20	.X: ±8'	PART NO.	FY23-74TC242F7111-02
XXX ±0.10	.XX: ±5'	DESIGN:	ZXM
UNITS	mm	CHEG:	
MATERILA	---	APPD:	
FINISH	---		



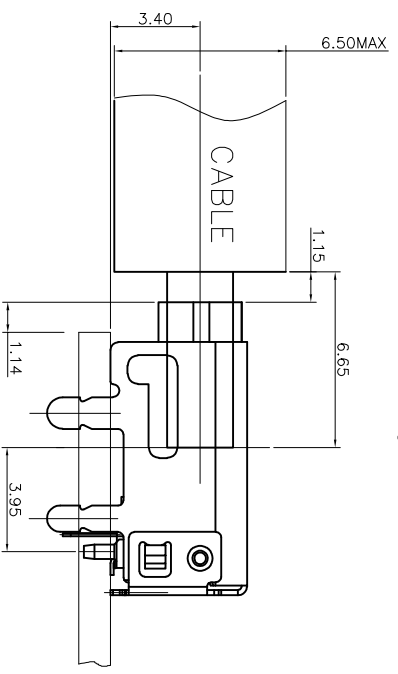
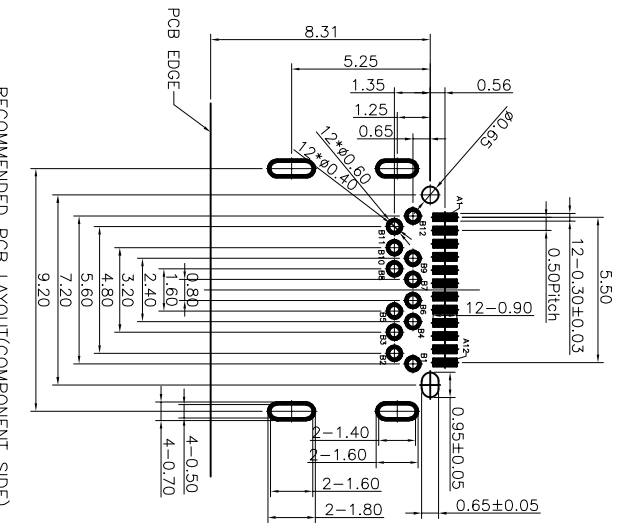
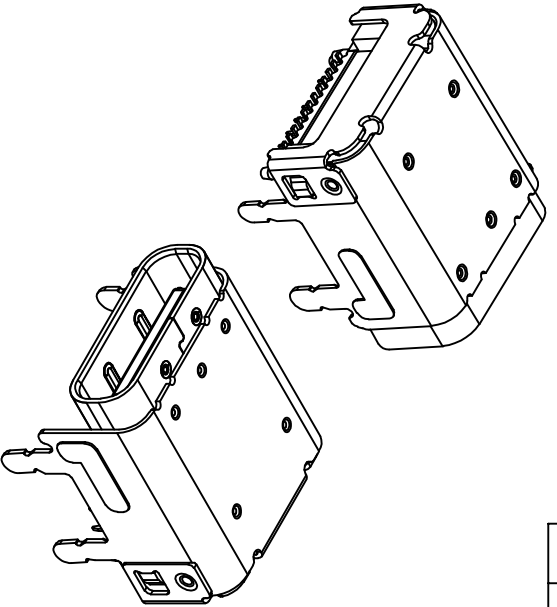
TITLE: CF 24P母座 高CH3, 4脚距4.0

DRAWG NO.	FY23-74TC242F7111-02
SCALE	1:1
SHEET	1/2
REV.	A

- NOTES:
- MATERIAL:
 - MOLDING: LCP UL94 V-0
 - CONTACT: COPPER ALLOY.
 - PLATED GOLD ON CONTACT AREA, G/F GOLD ON SOLDER AREA, 50u" NICKEL PLATING OVER ALL.
 - OUTER SHELL: SUS304, T=0.20±0.03mm
 - 50u" NICKEL PLATING OVER ALL.
 - AU PLATING AT SOLDER TAIL.
 - INNER SHELL: SUS304, T=0.30±0.03mm
 - 50u" NICKEL PLATING OVER ALL.
 - MECHANICAL:
 - LATCH: SUS301, T=0.15±0.03mm
 - INSERTION: 5~20N.
 - EXTRACTION: 8~20N.
 - DURABILITY: 10000 CYCLES
 - ELECTRICAL:
 - CURRENT: 5A MAX FOR VBUS; 1.25A FOR GND, 0.25A FOR OTHER OTHER.
 - VOLTAGE: 20VDC MAX
 - WITHSTANDING VOLTAGE: 100V AC.
 - CONTACT RESISTANCE: 40mΩ MAX.
 - INSULATION RESISTANCE: 100MΩ MIN.
 - ENVIRONMENTAL
 - TEMPERATURE RANGE -40°C ~ +85°C

CUSTOMER

REV.	ECN NO.	DESCRIPTION	DATE	DESIGN



USB TYPE-C FULL-FEATURED RECEIVER INTERFACE PIN ASSIGNMENTS

Pin	Signal Name	Description	Pin	Signal Name	Description
A1	GND	Ground return	B12	GND	Ground return
A2	SSTXo1	Positive half of first SuperSpeed TX differential pair	B11	SSRXo1	Positive half of first SuperSpeed RX differential pair
A3	SSTXn1	Negative half of first SuperSpeed TX differential pair	B10	SSRXn1	Negative half of first SuperSpeed RX differential pair
A4	Vbus	Bus Power	B9	Vbus	Bus Power
A5	CC1	Configuration Channel	B8	SRU1	Sideband Use (SRU) Channel
A6	Dp1	Positive half of the USB 2.0 differential pair-Position 1	B7	Dm2	Negative half of the USB 2.0 differential pair-Position 2
A7	Dn1	Negative half of the USB 2.0 differential pair-Position 1	B6	Dp2	Positive half of the USB 2.0 differential pair-Position 2
A8	SRU1	Sideband Use (SRU) Channel	B5	CC2	Configuration Channel
A9	Vbus	Bus Power	B4	Vbus	Bus Power
A10	SSRXn2	Negative half of second SuperSpeed RX differential pair	B3	SSTXn2	Negative half of second SuperSpeed TX differential pair
A11	SSRXo2	Positive half of second SuperSpeed RX differential pair	B2	SSTXo2	Positive half of second SuperSpeed TX differential pair
A12	GND	Ground return	B1	GND	Ground return

RECOMMENDED PCB LAYOUT(COMPONENT SIDE)

PCB THICKNESS: 1.60±0.05
DEFAULT TOLERANCE: ±0.05

8	UPPER CONTACT	12	COPPER ALLOY	PLATED GOLD ON CONTACT AREA, 3U" GOLD ON SOLDER AREA, 50U" NICKEL PLATING OVER ALL.
7	LOWER CONTACT	12		
6	LOWER IM	1	THERMOPLASTIC LCP UL94V-0	COLOR: BLACK
5	UPPER IM	1	THERMOPLASTIC LCP UL94V-0	COLOR: BLACK
4	OVERMOLD	1	THERMOPLASTIC LCP UL94V-0	COLOR: BLACK
3	LATCH PLATE	1	STAINLESS STEEL SUS301	CLEANLY
2	INNER SHELL	1	STAINLESS STEEL SUS304	50U" NICKEL PLATING OVER ALL.
1	OUTER SHELL	1	STAINLESS STEEL SUS304	50U" NICKEL PLATING OVER ALL, AU AT SOLDER TAIL
NO.	DESCRIPTION	QTY	MATERIAL	SPECIFICATION

TOLERANCE		NAME(INTENDED USE)	
X.X ±0.30	X: ±10'	CUSTOMER DRAWING	
.XX ±0.20	.X: ±8'	PART NO.	FY23-74TC242F7111-24
.XXX ±0.10	.XX: ±5'	DESIGN:	ZXM
UNITS	mm	CHED:	
MATERIAL		APPD:	
FINISH	----		

RUVU 广东富盈兴业精密科技实业有限公司
RUVU Precision Electronic Technology Co.,LTD.

TITLE: CF 24P母座 高CH3, 4脚距4.0

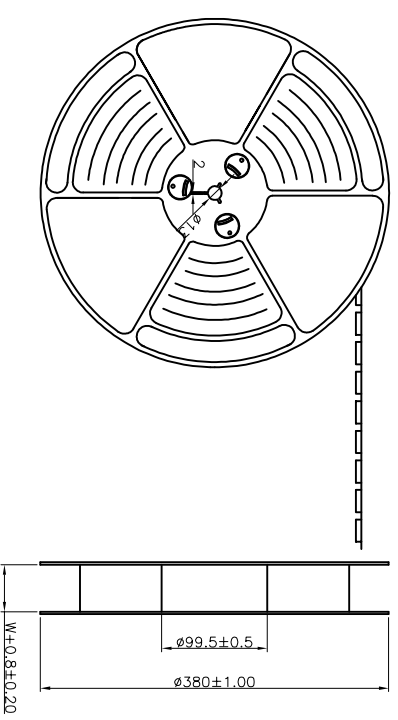
DRAWG NO. FY23-74TC242F7111-24

SCALE SHEET REV. 1:1 1/2 A

CUSTOMER

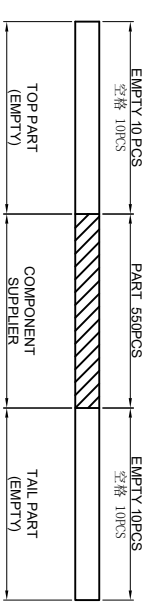
REV.	ECN NO.	DESCRIPTION	DATE	DESIGN

出料方向
PULL OUT DIRECTION



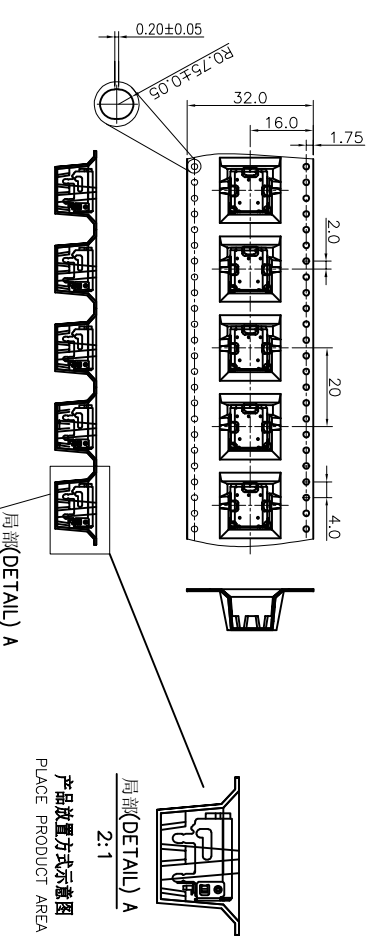
NOTES

- 1. 带子引导长度
LEAD TAPE LENGTH
出料方向
PULL OUT DIRECTION



2. 出货运输过程中一定注意:
THIS REQUIREMENT SHOULD BE APPLIED AT SHIPMENT:
卷带在运输过程中不能拆开
PEELING OFF SHOULD NOT BE ALLOWED DURING TRANSPORTATION

拉出方向
PULL OUT DIRECTION

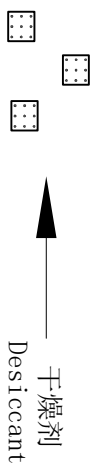


TOLERANCE		NAME (INTENDED USE) CUSTOMER DRAWING		DRAWG NO.	
X.X	± 0.30 X.X'	$\pm 10^\circ$	PART NO.	FY23-74TC242F7111-24	
.XX	± 0.20 .X'	$\pm 8^\circ$	DESIGN:	ZXM	
.XXX	± 0.10 .XX'	$\pm 5^\circ$	CHED:		
UNITS	mm		APPD:		
MATERILA	----				
FINISH	-----				
TITLE:		FY23-74TC242F7111-24 CF 24P母座垫高CH3, 4脚距4.0			
SCALE		1:1			
SHEET		1/2			
REV.		A			

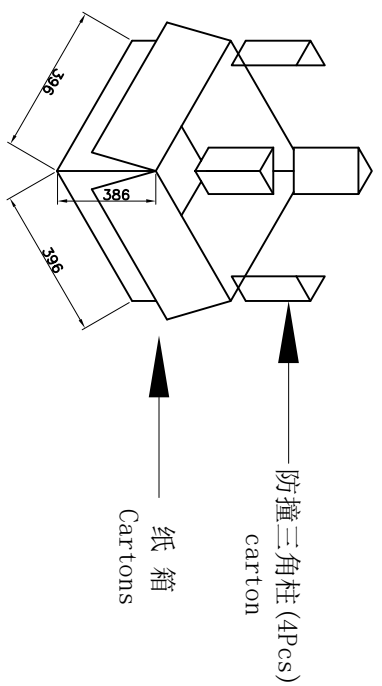
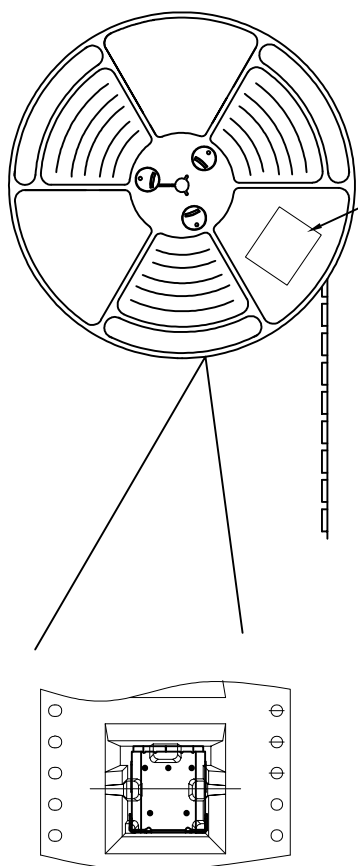
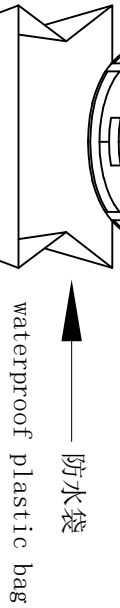
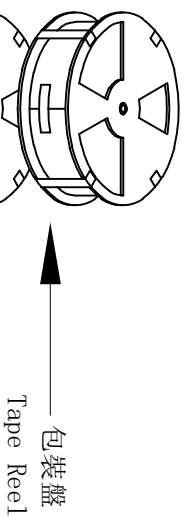
FUYOU 广东富盈兴业精密科技实业有限公司
Shenzhen FUYOU Precision Electronic Technology Co., Ltd.

CUSTOMER

REV.	ECON NO.	DESCRIPTION	DATE	DESIGN



Label pasting location (facing the back of the circular hole on the roll)
 标签粘贴处 (朝卷带圆孔反面)
 Location of label sticking (label)



NOTE:
 1. 每捲包裝數量及每箱裝箱數量如左下表格。
 Packing q'ty of each reel & carton as below table shown.
 2. 以上膠帶覆蓋下包裝帶經包裝冷封方式封口
 The above tape under the cover of the package by the package of cold-sealed way sealed.
 3. 將裝滿產品的卷盤放入紙箱並以膠帶封口
 Put reels in the carton and use adhesive tape to seal up.

产品料号 (PRODUCT No.)	包装数量 (PACKING CAPACITY)		重量 WEIGHT (Kg)		
	PCS/REEL	REELS/CARTON	PCS/CARTON	N.W./PCS	N.W./BOX
550	10	5500	0.824	11.0	12.0

TOLERANCE		NAME/(INTENDED USE) CUSTOMER DRAWING		DRAWG NO. FY23-74TC242F7111-24	
X.X	±0.30	X.*	±10'	PART NO.	CF 24P母座垫高CH3. 4脚距4.0
.XX	±0.20	X.*	±8'	DESIGN:	ZXM
.XXX	±0.10	.XX'	±5'	CHEP:	
UNITS	mm		DESIGN:	APPD:	
MATERILA	---				
FINISH	----				

FUTOU 广东富盈兴精密科技实业有限公司
 Dongying FUTOU Precision Electronic Technology Co.,LTD.

