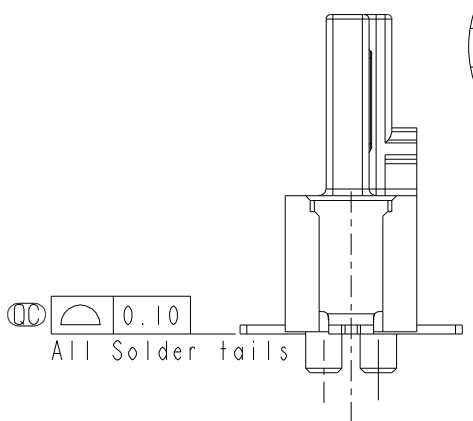
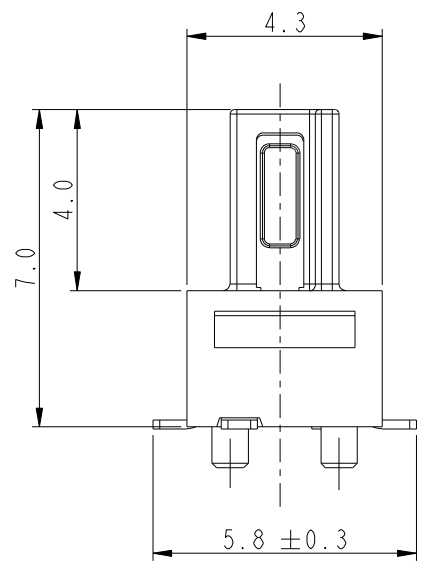
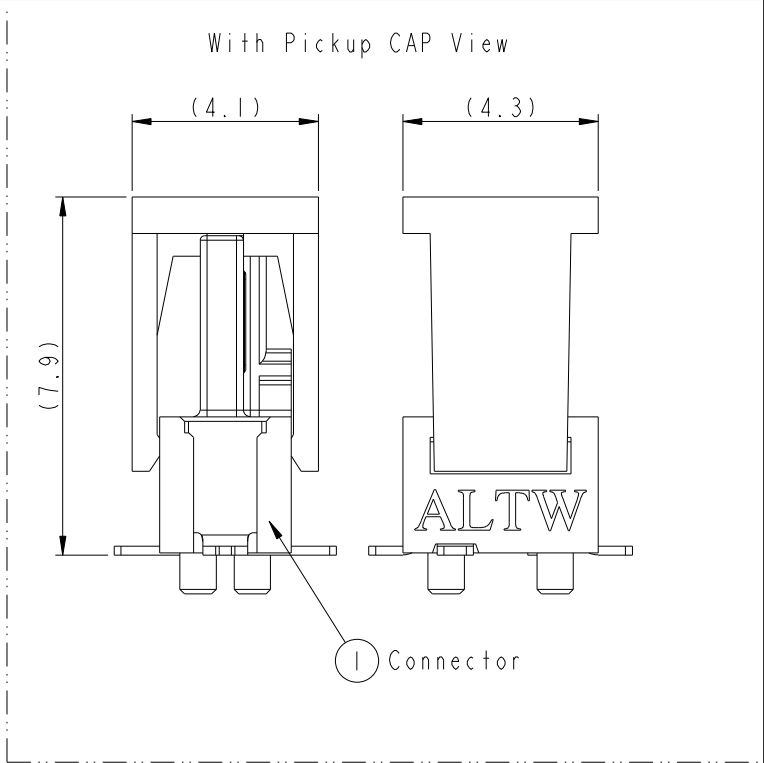
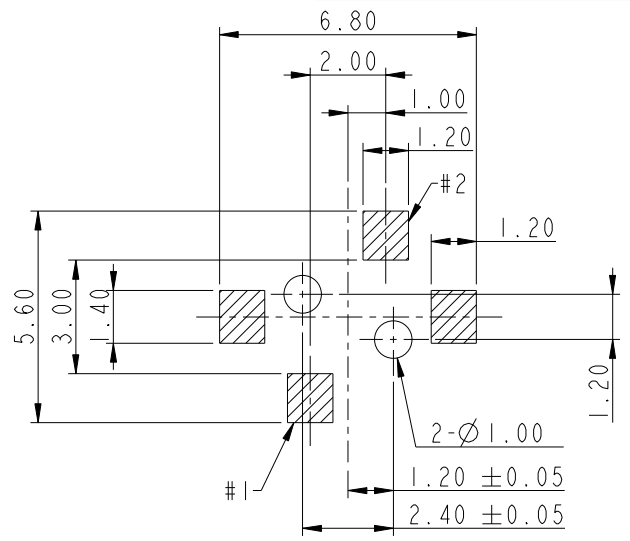
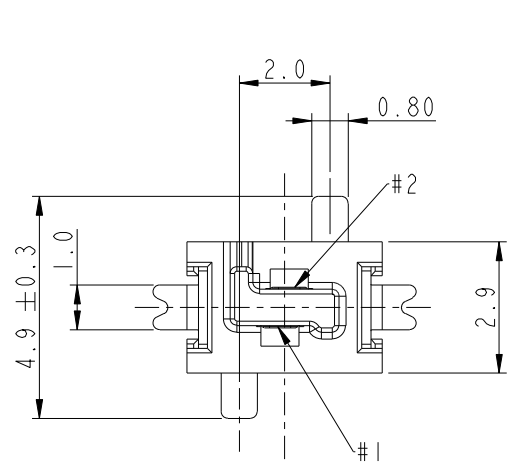


REV.	ECN NO.	DATE	SIGN	DESCRIPTION
B	CI91496	2019-08-29	NianPing Yu	Add UL Label
C	CI92063	2019-12-03	NianPing Yu	△XI



ALTW
CONFIDENTIAL
2019-12-03
R&D DEPT.

- Notes:
- * (⊙) Important Dimension To Check.
 - * Housing: High temperature thermoplastic. UL94V-0, color is Natural white.
 - * Pickup Cap: High temperature thermoplastic. UL94V-0, color is Black.
 - * Terminal: Copper Alloy, Gold Plated on contact area. Tin plated on solder tails.
 - * Solder Peg: Copper Alloy, Tin plated over Nickel.

UNIT: mm		
TOLERANCE	.X ±0.25	
.XX	±0.1	
.XXX	±0.05	
ANGLES	±1°	

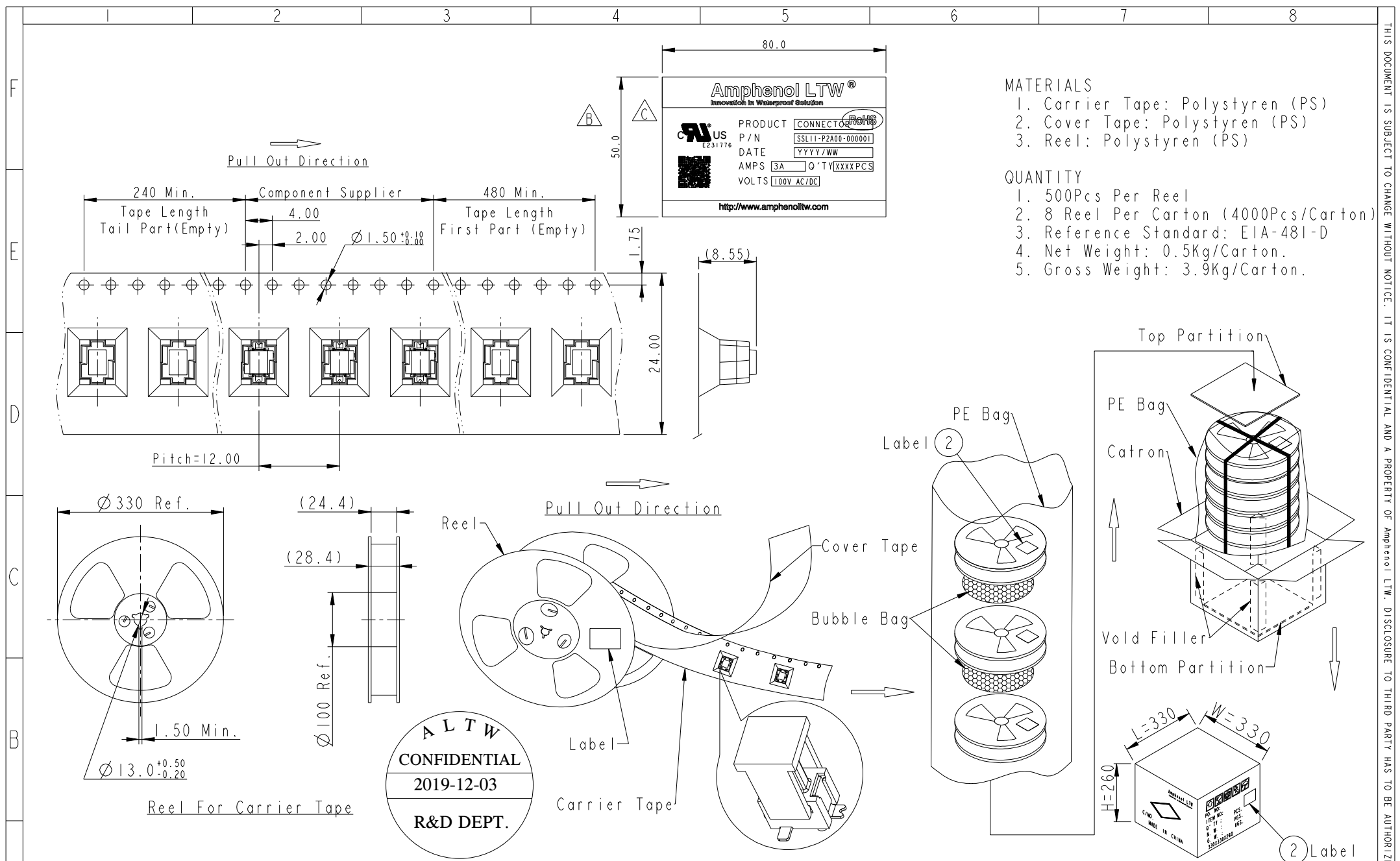
TITLE SSL1.1 DC 2P PLUG CONN, WITH POST, S/T, SMT TYPE		
SCALE 6:1	SIZE A4	SHEET 1 OF 2
REV. C	WC-REV. A.10	QC: Inspection item

Amphenol LTW
安費諾亮泰企業股份有限公司

ITEM NO. SSL11-P2A00-000001	DRAWN BY NianPing Yu	DATE 2019-08-29
DWG NO. SSL11-P2A00-000001	CHECKED BY Fisher Wang	DATE 2019-08-29
CUSTOMER ALTW	APPROVED BY Max Yang	DATE 2019-08-29

THIS DOCUMENT IS SUBJECT TO CHANGE WITHOUT NOTICE. IT IS CONFIDENTIAL AND A PROPERTY OF AMPHENOL LTW. DISCLOSURE TO THIRD PARTY HAS TO BE AUTHORIZED BY AMPHENOL LTW.

THIS DOCUMENT IS SUBJECT TO CHANGE WITHOUT NOTICE. IT IS CONFIDENTIAL AND A PROPERTY OF Amphenol LTW. DISCLOSURE TO THIRD PARTY HAS TO BE AUTHORIZED BY Amphenol LTW.



- MATERIALS**
1. Carrier Tape: Polystyren (PS)
 2. Cover Tape: Polystyren (PS)
 3. Reel: Polystyren (PS)
- QUANTITY**
1. 500Pcs Per Reel
 2. 8 Reel Per Carton (4000Pcs/Carton)
 3. Reference Standard: EIA-481-D
 4. Net Weight: 0.5Kg/Carton.
 5. Gross Weight: 3.9Kg/Carton.

ALTW
 CONFIDENTIAL
 2019-12-03
 R&D DEPT.

UNIT:mm		TITLE	SSL-1.1 DC 2P PLUG CONN, WITH POST,S/T,SMT TYPE		
TOLERANCE		SCALE	1:1	SIZE	A4
.X	±0.25	REV.	C	WC-REV.	A.10
.XX	±0.1	SHEET 2 OF 2			
.XXX	±0.05	QC: Inspection item			
ANGLES	±1°				

Amphenol LTW
 安費諾亮泰企業股份有限公司

ITEM NO	SSL11-P2A00-000001	DRAWN BY	NianPing Yu	DATE	2019-08-29
DWG NO	SSL11-P2A00-000001	CHECKED BY	Fisher Wang	DATE	2019-08-29
CUSTOMER	ALTW	APPROVED BY	Max Yang	DATE	2019-08-29