

**EM2796 Series**  
**EuroMag Terminal Blocks**  
 Screwless; 7.62 Centers

**SPECIFICATIONS**

- Rating:** 10A, 300V
- Center Spacing:** 0.30" (7.62mm)
- Wire Range:** #14-24 AWG
- Housing Material:** UL rated 94V0 Thermoplastic
- Contact Material:** Tin-Plated Brass
- Operating Temperature:** 105°C (221°F) max., -40°C (-40°F) min.
- Recommended PCB Hole Diameters:** 0.051" (1.30mm)
- Construction:** Mold-to-Length
- Agency Information:** File E62622; CE Certified



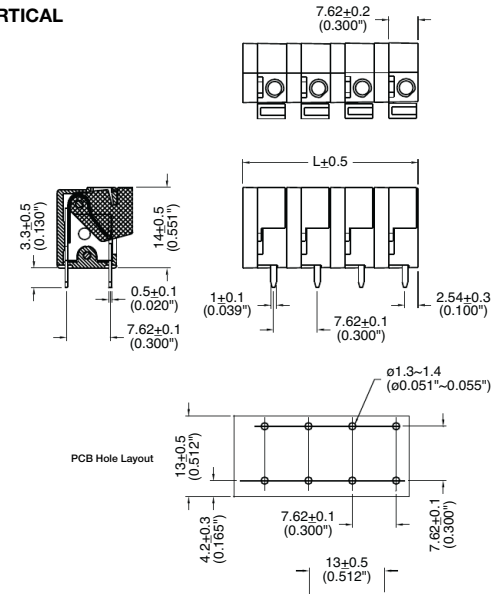
EM279606V



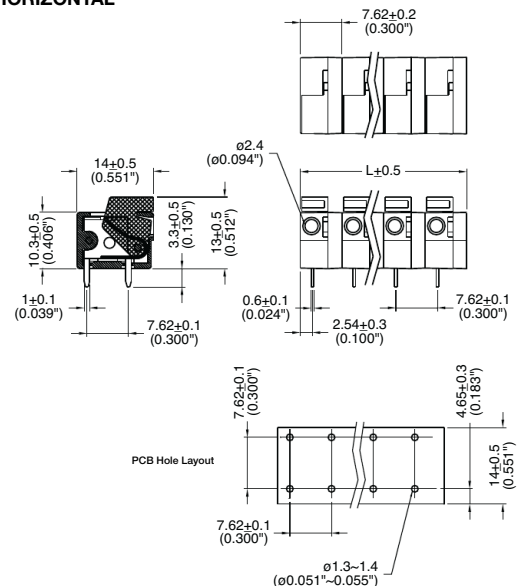
EM279603H

**Dimensions - mm (in)**

**VERTICAL**



**HORIZONTAL**



Poles	L (mm)	Poles	L (mm)
2	15.24	10	76.20
3	22.56	11	83.82
4	30.48	12	91.44
5	37.19	13	99.07
6	45.72	14	106.69
7	53.34	15	114.31
8	60.96	16	121.93
9	68.58		

To convert to inches, divide by 25.4

**Part Numbering System**

<b>Series</b>	<b># of Poles</b>	<b>Orientation</b>
<b>EM2796</b>	<input type="checkbox"/> <input type="checkbox"/>	<input type="checkbox"/>
	<b>02 to 16</b>	<b>H</b> - horizontal <b>V</b> - vertical

Terminal Blocks:  
Single Row

EuroMag Series  
Screwless

Edge Connectors,  
One-Sided Boards

Compliance  
References