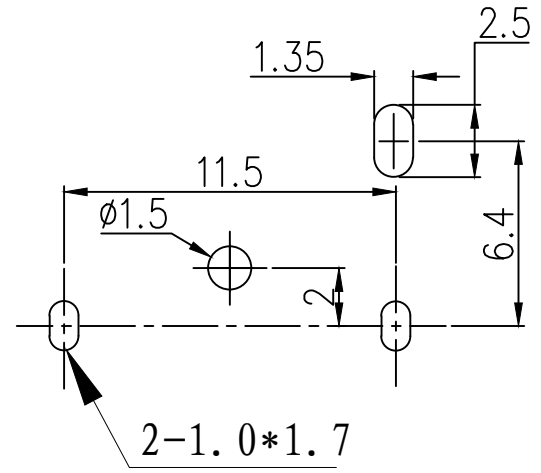
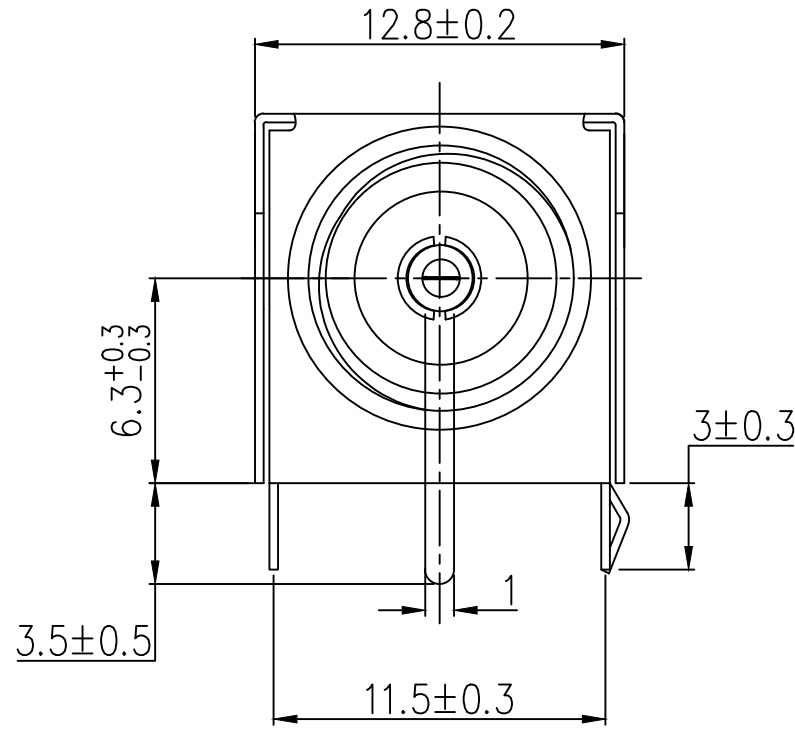
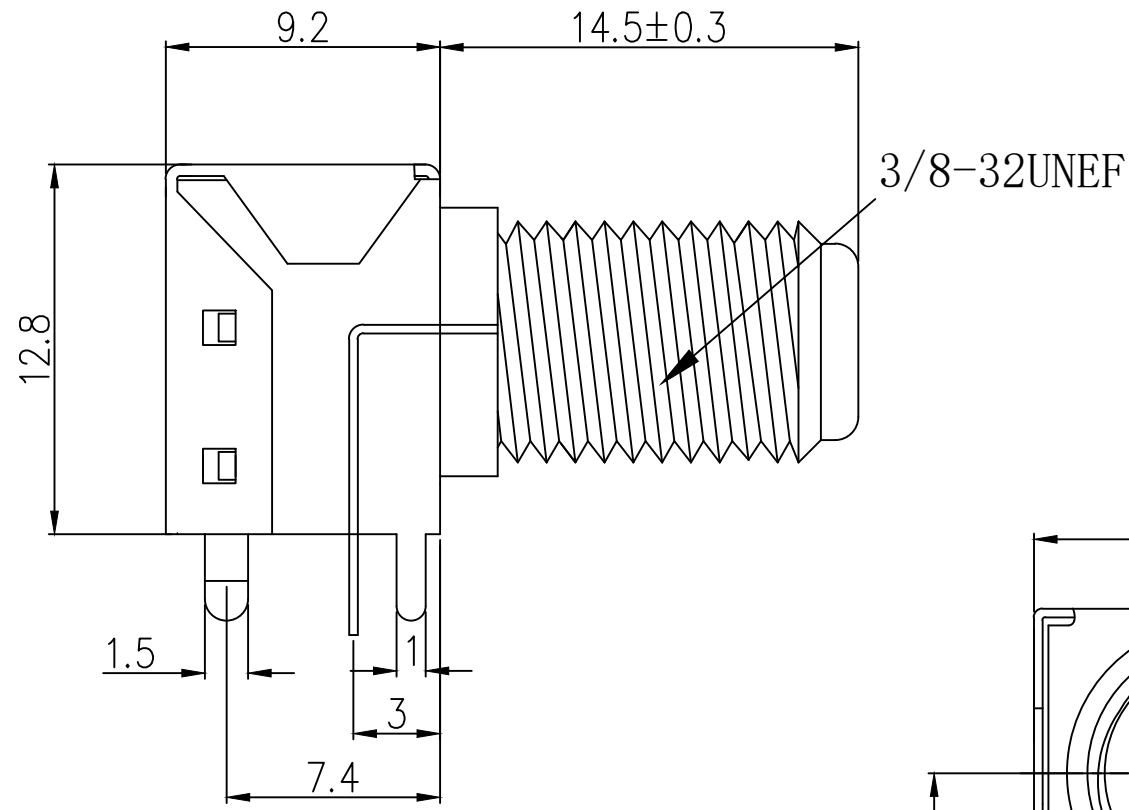


| | | | | |
|------------|---------------------------------|--------------|------------|---------------|
| 标记 MARK | ECN编号/变更内容 ECN NO/DEFINITION | 修改 REVISE | 日期 DATE | 核准 APPROVE |
| | | | | |
| | | | | |



PCB LAYOUT
(TOP VIEW)
P. C. B开孔示意图

SPECIFICATION (技术要求)

1. Operating Temperature (环境温度): -25°C ~ 85°C
2. Voltage Rating (额定电压): 50V AC/DC
3. Current Rating (额定电流): 0.5A
4. Contact Resistance (接触抗阻): 30mΩ
5. Insulation Resistance (绝缘抗阻): 100MΩ
6. Dielectric Withstanding Voltage (耐电压): 500V AC Min
7. Insertion/Withdrawal Force (插拔力): 3-50N
8. Life Time (mating cycles) 寿命: >1000 Cycles
9. SIGNAL LOSS < 1dB IN BOTH VHF, UHF BAND.
10. NOMINAL IMPEDANCE : 75 OHMS.
11. OPERATING FREQUENCY : 0-2 GHZ.

| | | | | |
|----|-----|------|-------|----|
| 3 | F头 | 锌合金 | 镀镍 | |
| 2 | 支架 | SPCC | 镀镍 | |
| 1 | 绝缘体 | PPS | 棕色 | |
| 序号 | 品名 | 材质 | 电镀/颜色 | 备注 |

| | | | | | |
|--|--------------|---------------|---------------|---------------|------|
| | 深圳市虹成电子有限公司 | | 品名 TITLE | 屏蔽罩 | |
| | | | 料号 PART NO | HC-PBZ-R08 | |
| GENERAL TOLERANCES (UNLESS SPECIFIED) | | 比列 SCALE | 1:1 | | |
| 0-10: ±0.2 | 26-50: ±0.4 | 单位 UNIT | MM | 制图 DRAW | AhYe |
| 11-25: ±0.3 | ANGULAR: ±2° | 张数 PART NO | 1 OF 1 | 审核 CHECKED | 夏操云 |
| | | 版本 REV | A | 批准 APPROVE | 赵亮亮 |

