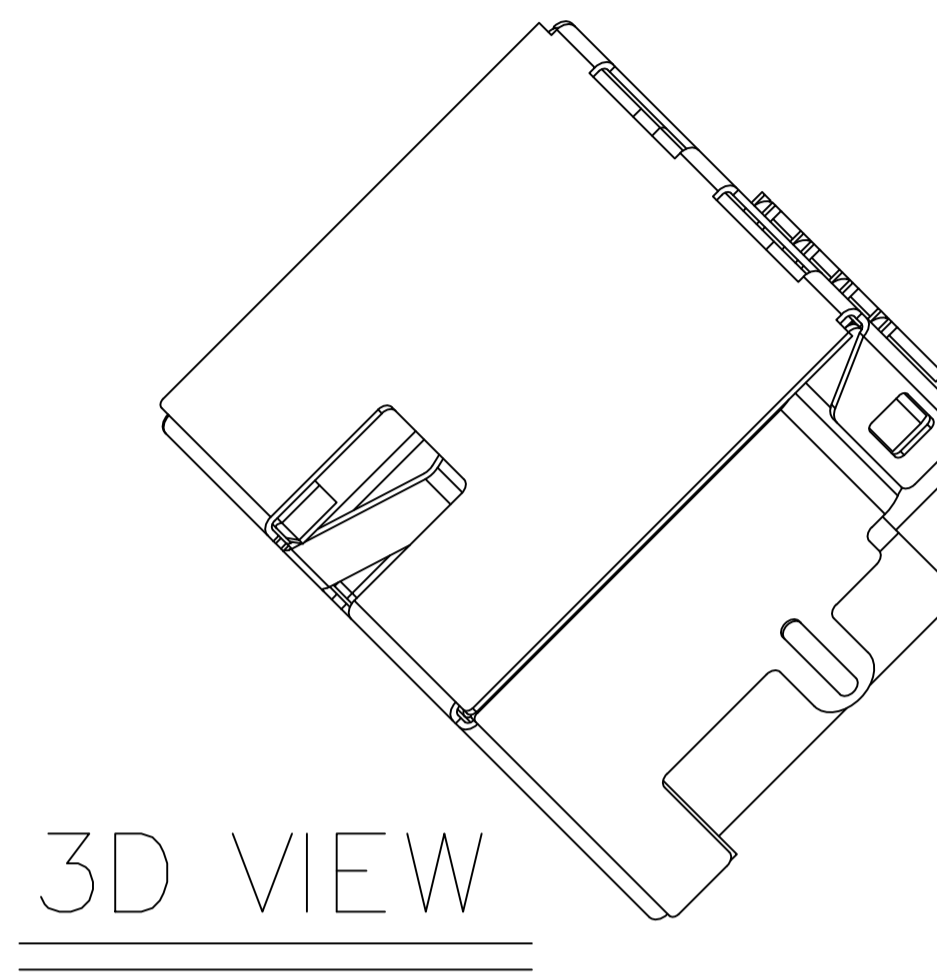
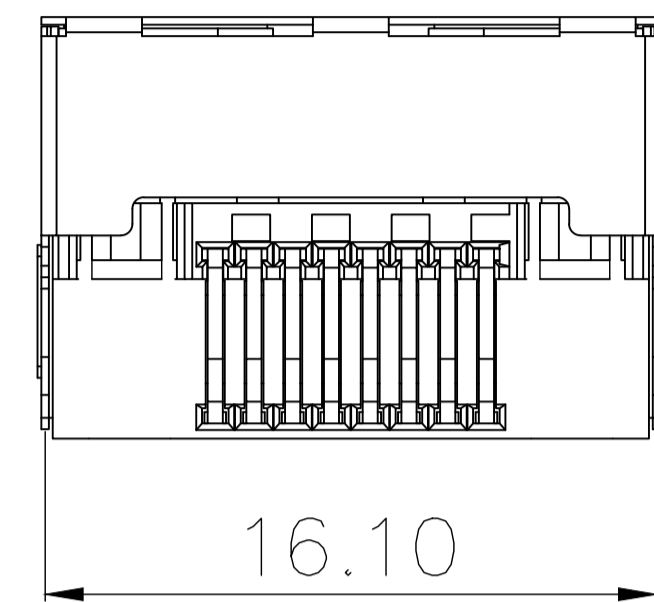
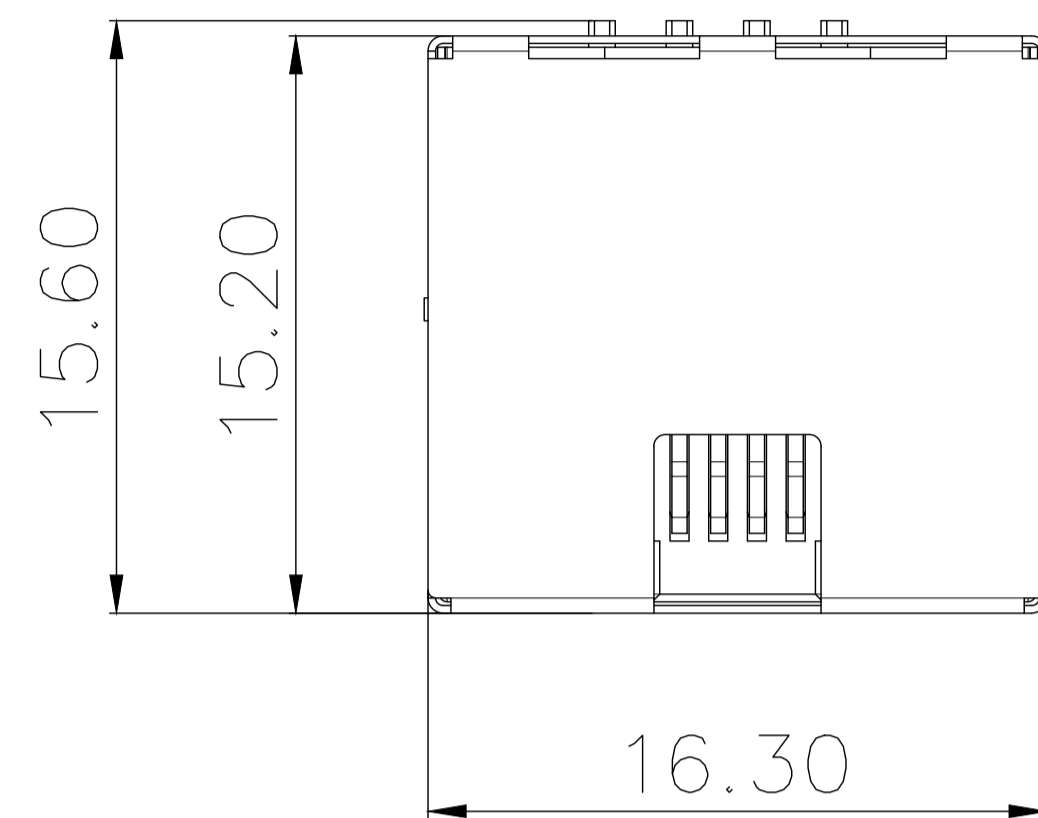


7	8	9
标记 MARK	ECN编号/变更内容 ECN NO/DEFINITION	修改 REVISE
		日期 DATE
		核准 APPROVE

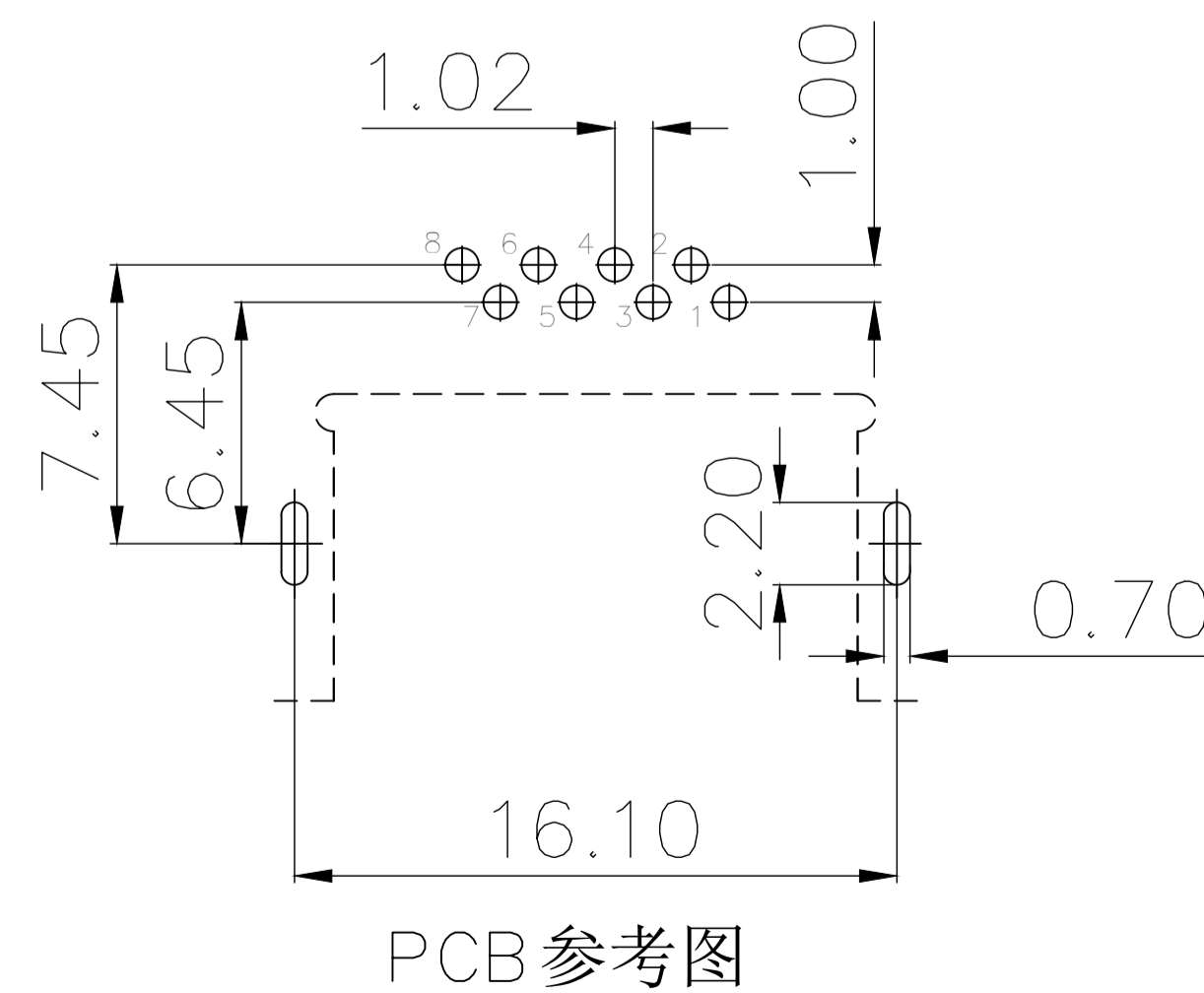
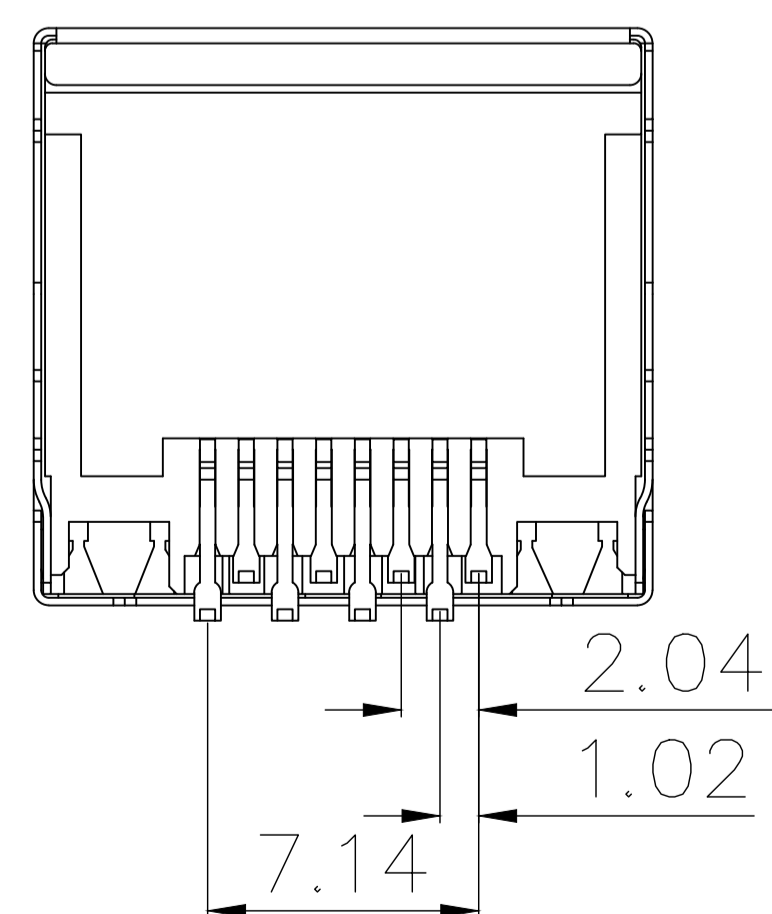
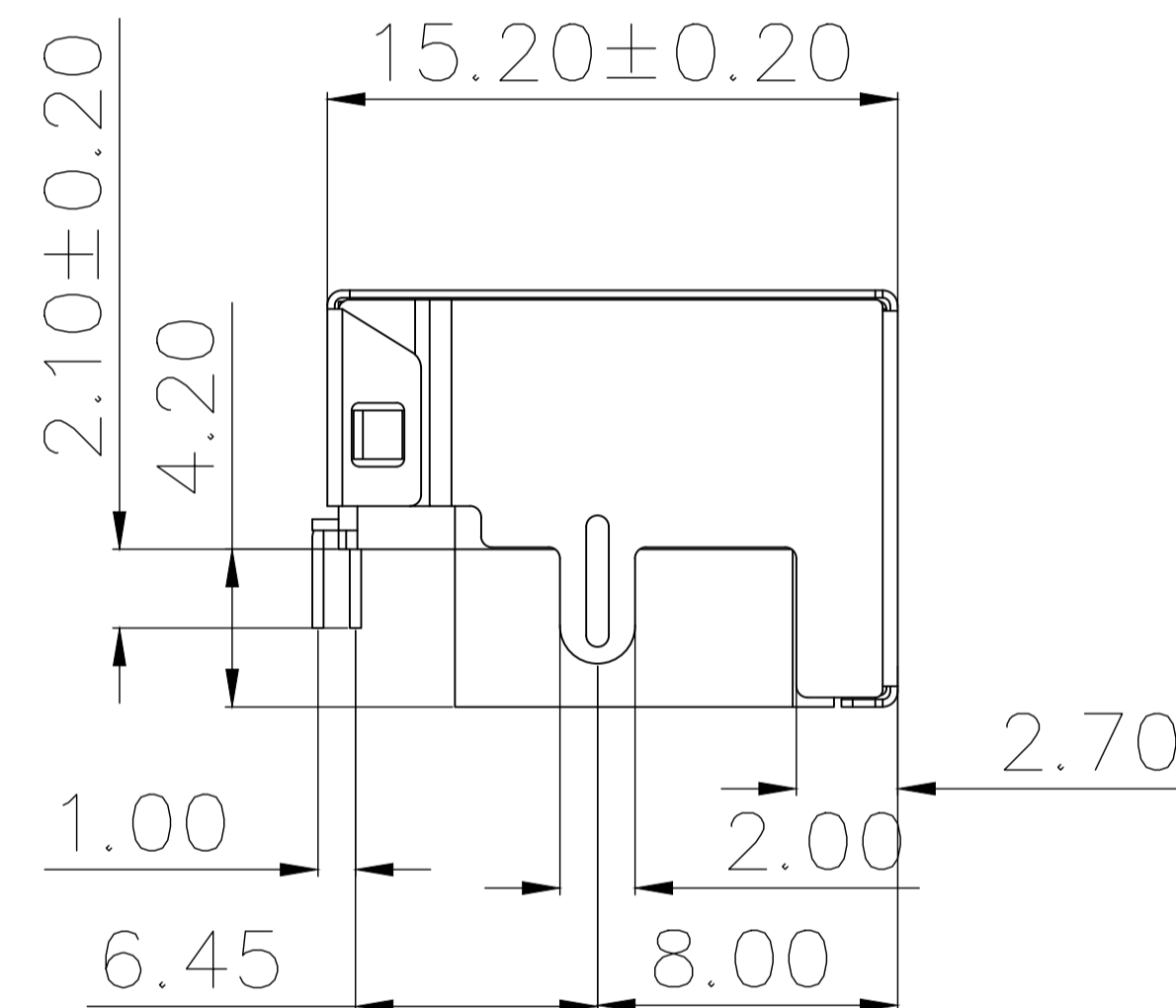
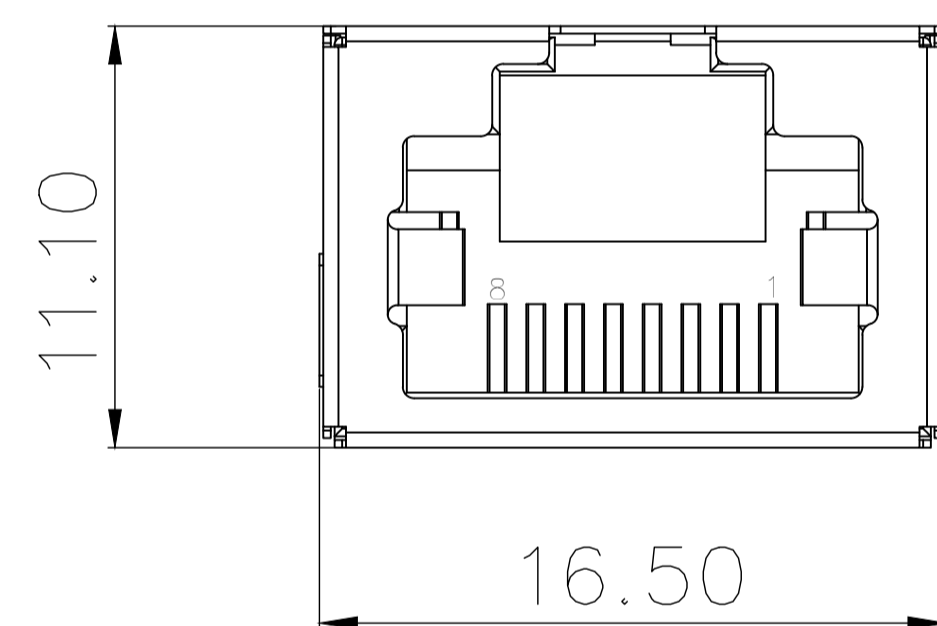


NOTES:

1. MATERIAL:
  - 1.1. HOUSING: LCP ,COLOR IS BLACK;
  - 1.2. CONTACT: PHOSPHOR COPPER ;
2. FINISH: GOLD PLATED G/Fu";
4. ELECTRICAL:
  - 4.1. VOLTAGE RATING: 125 VAC RMS;
  - 4.2. CURRENT RATING: 1.5 AMP;
  - 4.3. CONTACT RESISTANCE: 35MILLIOHMS MAX.;
  - 4.4. WITHSTAND VOLTAGE: 500 VAC RMS 50(60)Hz,1MIN.;
  - 4.5. INSULATION RESISTANCE: 500MEGOHMS MIN @500V DC.;
5. MECHANICAL:
  - 5.1. MATING/UNMATING FORCE: 22N MAX.;
  - 5.2. RETENTIION STRENGTH: 50N MIN.;
  - 5.3. OPERATING LIFE: 750 CYCLES MIN.;
6. ENVIRONMENTAL:
  - 6.1. STORAGE TEMPERATURE RANGE: -40°C~+85°C;
  - 6.2. OPERATION TEMPERATURE RANGE: -25°C~+70°C;
- 7.SALT SPRAY TEST: 8H(EXCLUDING RIVETED BENDS)

A  
B  
C  
D  
E  
F  
G

A  
B  
C  
D  
E  
F  
G



3	外壳	不锈钢	镀镍	
2	接触	铜	镀金G/F	
1	基座	LCP	黑色	
序号	品名	材质	电镀/颜色	备注

	深圳市虹成电子有限公司 品名 TITLE: 网口 料号 PART NO: HC-WK88-C42-K			
	UNLESS OTHERWISE, GENERAL TOLERANCE: X.xxx ±0.10 X.xx ±0.20 X.x ±0.30 ANGULAR: X.xx° ±1° X.x° ±3° X.° ±5°	比列 SCALE: 1:1 单位 UNIT: MM 张数 PART NO: 1 OF 1 版本 REV: A	制图 DRAW: AhYe 审核 CHECKED: 夏操云 批准 APPROVE: 赵亮亮	