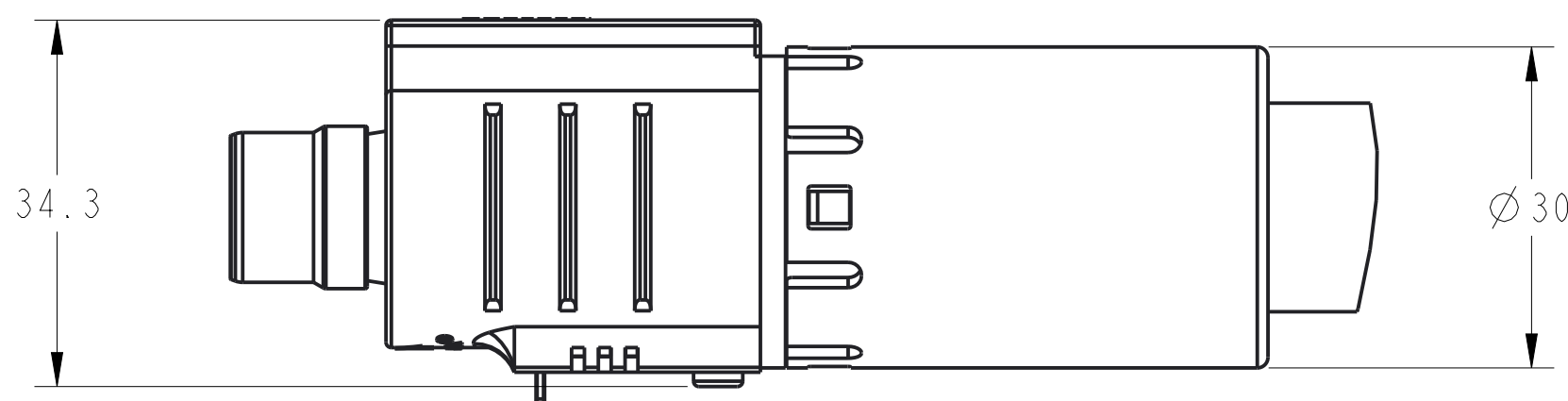
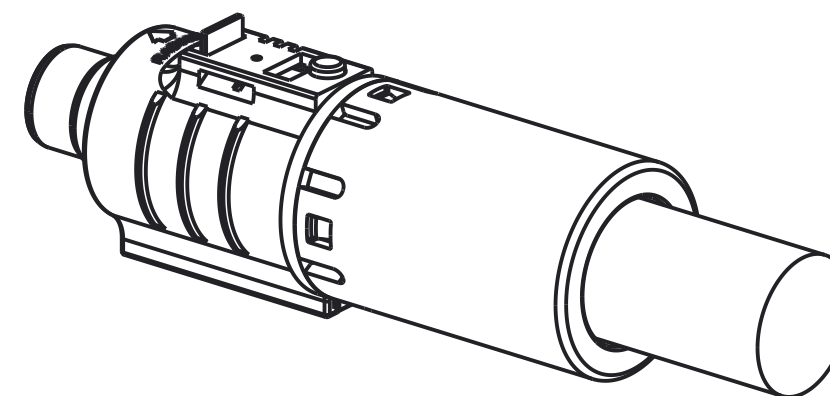
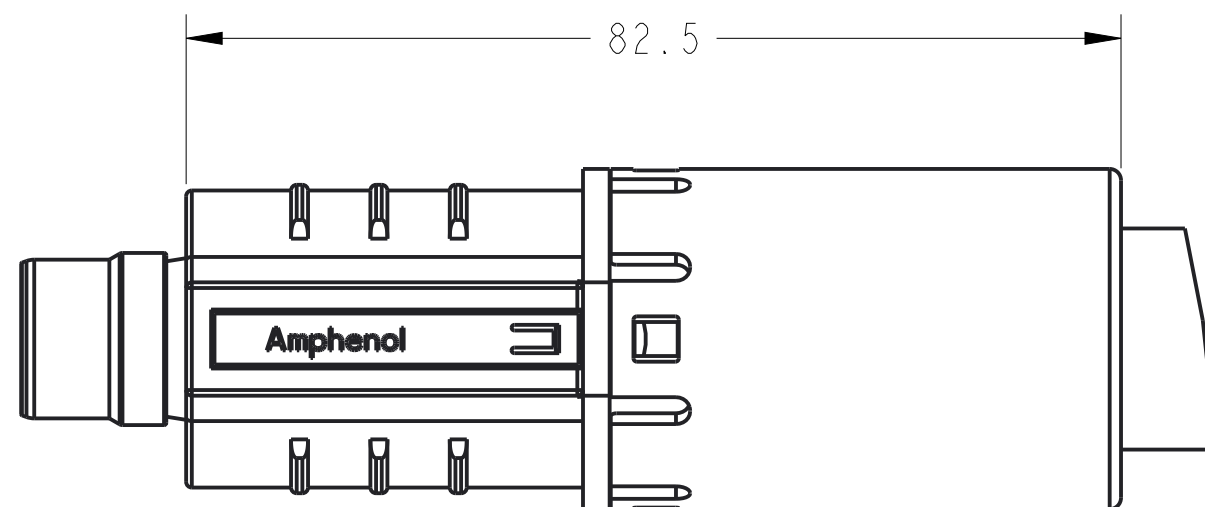
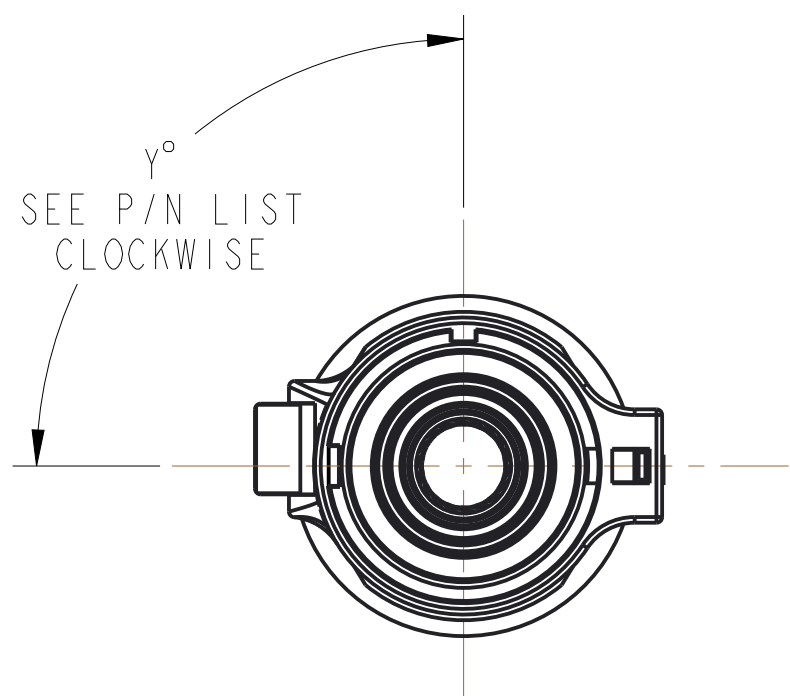


REV. A	SHEET 1 OF 1	DOCUMENT NO. C10-738727-( )
REVISIONS		
REV	DESCRIPTION	DATE
A	PREMININARY REVISION	2016-08-03

GENERAL TOLERANCE

DIM. RANGE	0.5 ~ 3	> 3 ~ 6	> 6 ~ 30	> 30 ~ 120	> 120 ~ 400
TOLERANCE	±0.1	±0.1	±0.2	±0.3	±0.5

# CUSTOMER DRAWING



MFG PART NUMBER: C10-738727-( ) ( ) ( ) ( )

BASE NUMBER  
 COLOR OF BUTTON, SEE TABLE  
 WIRE SIZE, SEE TABLE  
 SEALING, SEE TABLE  
 KEYWAY, SEE TABLE

CODE NUMBER REFERENCE: SLPIPB( ) B ( ) ( ) ( ) E H

BASE NUMBER  
 WIRE SIZE, SEE TABLE  
 WITH BACKSHELL  
 SEALING, SEE TABLE  
 COLOR OF BUTTON, SEE TABLE  
 KEYWAY, SEE TABLE  
 EMI  
 HVIL



## SPECIFICATIONS

CURRENT RATING	250 Amps MAX (C10-738727-X7XX) 200 Amps MAX (C10-738727-X5XX) 150 Amps MAX (C10-738727-X3XX)
OPERATING VOLTAGE	1000V DC/AC
OPERATING TEMPERATURE	-40°C-125°C
PROTECTION CLASS	IP67 (MATED)

ITEM	DESCRIPTION	CODE NUMBER	MFG NUMBER
COLOR OF BUTTON	ORANGE	1	0
	BLACK	2	B
	RED	3	R
WIRE SIZE	70 MM^2	7	70
	50 MM^2	5	50
	35 MM^2	3	35
SEALING	IP 67	0	S
	NO SEALING	1	N
KEYWAY (Y°)	90°	0	0
	270°	1	1
	60°	2	2
	120°	3	3
	150°	4	4

1. THE REFERENCED PRODUCT IS IN COMPLIANCE WITH THE MAXIMUM CONCENTRATION VALUES(MCVS) AS SET BY ROHS 2.0 DIRECTIVE 2011/65/EU AND ANNEX II AMENDMENT DIRECTIVE (EU)2015/863.

NOTES:

THIS DOCUMENT CONTAINS PROPRIETARY INFORMATION AND SUCH INFORMATION MAY NOT BE DISCLOSED TO OTHERS FOR ANY PURPOSE OR USED FOR MANUFACTURING PURPOSES WITHOUT WRITTEN PERMISSION FROM THE AMPHENOL CORP.

N/A	PRO/ENGINEER INFORMATION
NEXT ASSEMBLY	Pro/e Model Used:
METRIC DOCUMENT	10-738727.ASSEM
	Drawing Name:
	C10-738727.ABROAD

UNLESS OTHERWISE SPECIFIED	SPECIFICATIONS	POS	QTY	PART NUMBER	DESCRIPTION	NOTE
LINEAR DIMENSIONS ARE IN: <b>MILLIMETERS</b> TOLERANCES: ANGLES= ±2° DEFAULT LINEAR TOLERANCES SEE TABLE DIM. & TOL. PER ASME Y14.5M-1994; DRM PER MIL-DTL-31000; OTHER AMPHENOL STANDARDS: 9-9318	MATERIAL SPEC. N/A				PARTS LIST <b>AMPHENOL INDUSTRIAL OPERATIONS</b> Amphenol Technology(Zhuhai)Co.,Ltd No.63, Xingnan Road, Sanzao Town, Jinwan, Zhuhai, PRC	
LEGENDS: △=FLAG NOTE CALL OUT REFERENCE ONLY	PROCESS SPEC. N/A					8.0MM SURLOK PLUS WITH EMI, INLINE PLUG
		APPROVALS	DATE			
		PREPARED BY EVANS JIANG				
		ENGINEER IN CHARGE ROB WENG	OCT-03-16			
		DESIGN MANAGER DERIC LI				
		DESIGN ACTIVITY GROUP C&I				
		THIRD ANGLE PROJECTION				
				SIZE <b>C</b>	CAGE CODE <b>77820</b>	DOCUMENT NO. <b>C10-738727-( )</b>
					REF. N/A	REV. <b>A</b>
				SCALE: 1.0		SHEET 1 OF 1

DOCUMENT NO. C10-738727-( ) SHEET 1 OF 1 REV. A

DOCUMENT NO. C10-738727-( ) SHEET 1 OF 1 REV. A