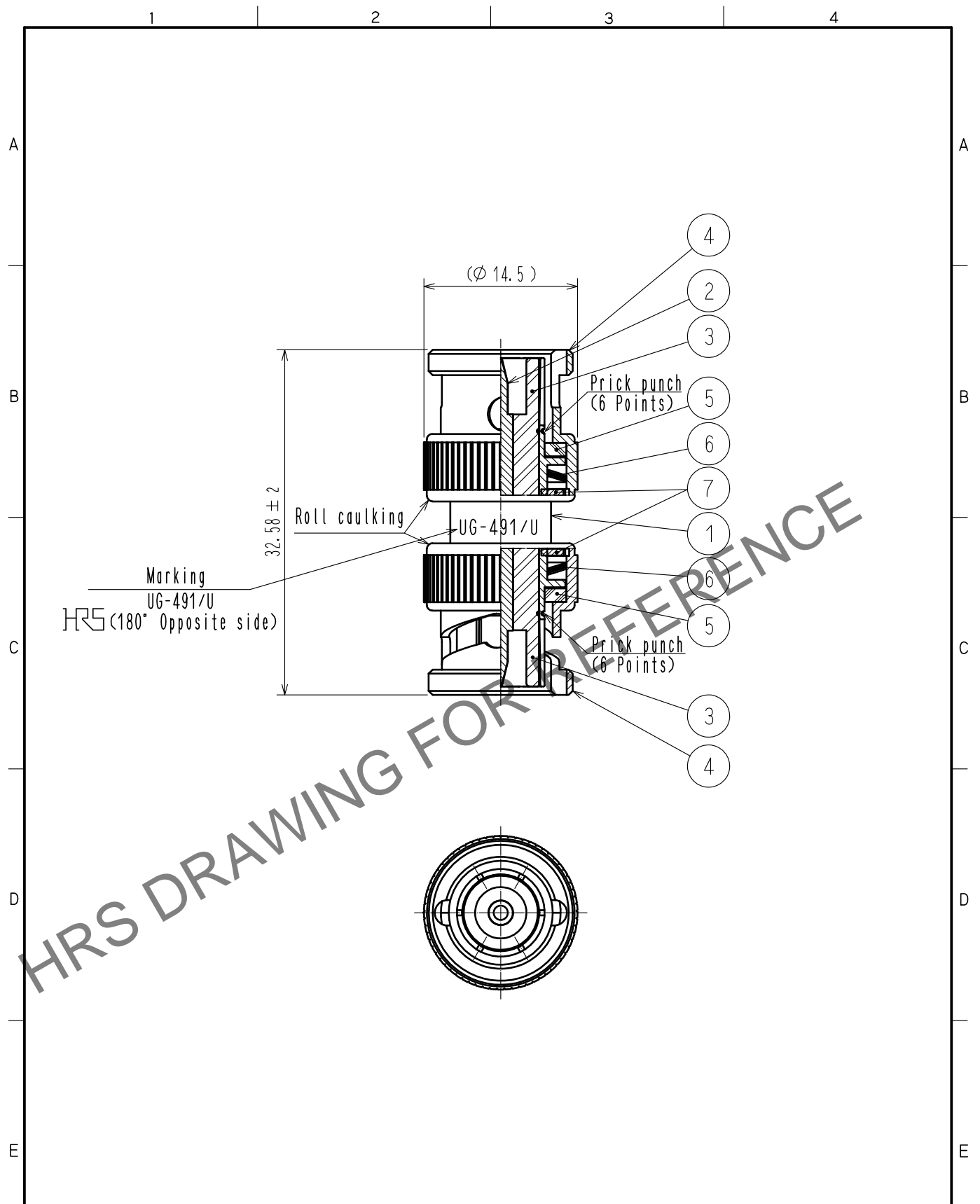


Apr.1.2024 Copyright 2024 HIROSE ELECTRIC CO., LTD. All Rights Reserved.
 In case of consideration for using Automotive equipment / device which demand high reliability, kindly contact our sales window correspondents.



4	BRASS	NICKEL PLATING					
3	PTFE		7	BRASS	NICKEL PLATING		
2	BRASS	GOLD PLATING	6	BERYLLIUM COPPER	SILVER PLATING		
1	BRASS	NICKEL PLATING	5	SILICONE RUBBER			
NO.	MATERIAL	FINISH .	REMARKS	NO.	MATERIAL	FINISH .	REMARKS

UNITS mm		SCALE 2 : 1	COUNT 	DESCRIPTION OF REVISIONS	DESIGNED	CHECKED	DATE
HIROSE ELECTRIC CO., LTD.		APPROVED : NK. NINOMIYA 20211008	DRAWING NO. EDC-000707-41-00				
		CHECKED : NK. NINOMIYA 20211008	PART NO. UG-491/U(41)				
		DESIGNED : MT. KANEKO 20211008	CODE NO. CL0302-0022-0-41				
		DRAWN : NK. OOSHIMA 20211008		1/1			