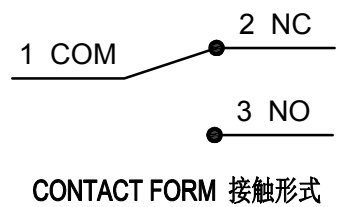
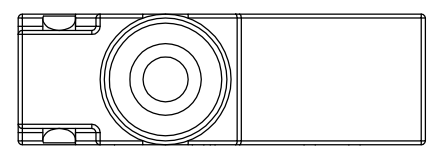
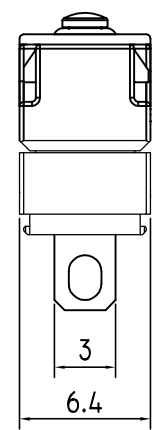
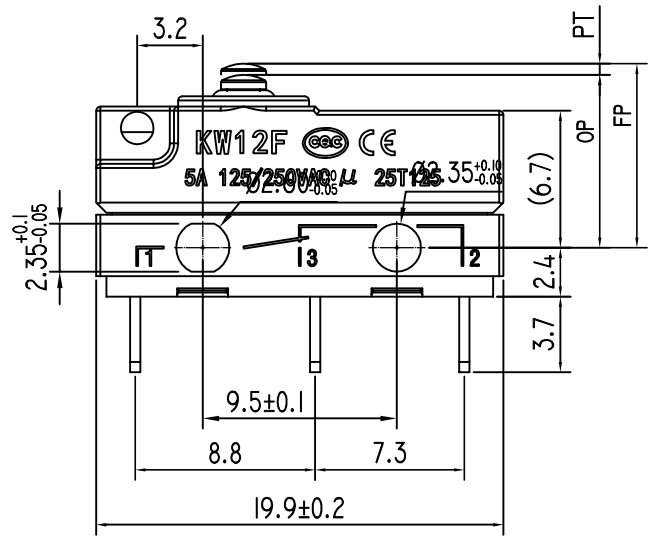


REV.	REVISION DESCRIPTION	DATE	APPD

# NOTES

OF max.	动作力 最大	200g
RF min.	回复力 最小	40g
PT max.	预行程 最大	0.8mm
MD max.	差程 最大	0.2mm
OP	动作位置	8.4±0.3mm
FP max.	自由位置 最大	9.2mm

Rated Voltage	额定电压	125/250VAC
Rated Current	额定电流	5A
Rated Frequency	额定频率	50/60Hz
Contact Resistance	接触电阻	100 mΩ max.
Insulation Resistance	绝缘电阻	100 MΩ min.at 500VDC
Dielectrics Strength	介电强度	Between terminals: AC 1000V/min 50/60Hz for 1 min
		Terminals and Groud: AC 1500V/min 50/60Hz for 1 min
Ambient Air Temperature	环境温度	25T125 (-25to 125)
Ambient Humidity	相对湿度	85%(5 to 35)
Electrical Life	电气寿命	1E4 10,000 times min.
Mechanical Life	机械寿命	1E6 1,000,000 times min.
Protection Degree	保护等级	IP67

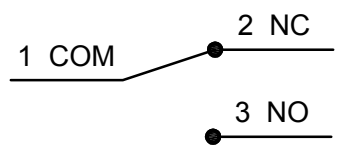
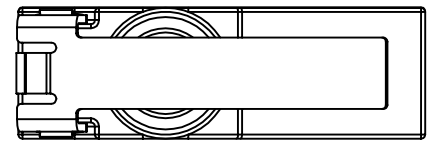
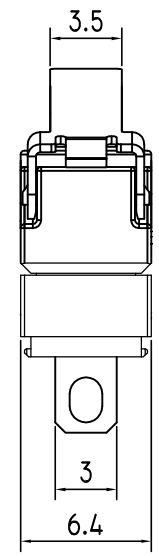
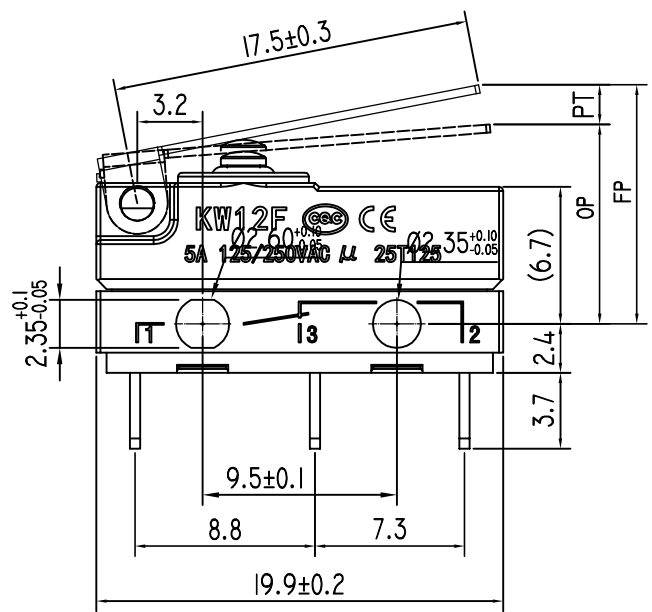


GENERAL TOLERANCES (UNLESS SPECIFIED)		ZHE JIANG DELI CONNECTORS CO., LTD	
.X: ± 0.25	.X°: ± 3.0°	PRODUCT NAME:	TITLE:
.XX: ± 0.15	.XX°: ± 2.0°	DL-KW12F-0-C02	MICRO SWITCH 微动开关
.XXX: ± 0.01	.XXX°: ± 1.0°	DR: Chen Quan Long	DATE:19/08/01
FINISH:		CHKD: Wu Hui	DATE:19/08/01
DRAWING NO:		APPD:Ren An De	DATE:19/08/01
		SCALE: N/A	PAGE: 1/1
		UNITS: mm	REV.: A

REV.	REVISION DESCRIPTION	DATE	APPD

# NOTES

OF max.	动作力 最大	100g
RF min.	回复力 最小	20g
PT max.	预行程 最大	3mm
MD max.	差程 最大	0.8mm
OP	动作位置	10.0±1.0mm
FP max.	自由位置 最大	13.0mm
Rated Voltage	额定电压	125/250VAC
Rated Current	额定电流	5A
Rated Frequency	额定频率	50/60Hz
Contact Resistance	接触电阻	100 mΩ max.
Insulation Resistance	绝缘电阻	100 MΩ min.at 500VDC
Dielectrics Strength	介电强度	Between terminals: AC 1000V/min 50/60Hz for 1 min
		Terminals and Groud: AC 1500V/min 50/60Hz for 1 min
Ambient Air Temperature	环境温度	25T125 (-25to 125)
Ambient Humidity	相对湿度	85%(5 to 35)
Electrical Life	电气寿命	1E4 10,000 times min.
Mechanical Life	机械寿命	1E6 1,000,000 times min.
Protection Degree	保护等级	IP67



CONTACT FORM 接触形式

GENERAL TOLERANCES (UNLESS SPECIFIED)		ZHE JIANG DELI CONNECTORS CO., LTD	
.X: ± 0.25	.X°: ± 3.0°	PRODUCT NAME:	TITLE:
.XX: ± 0.15	.X°: ± 2.0°	DL-KW12F-1-C02 MICRO SWITCH 微动开关	
.XXX: ± 0.01	.XX°: ± 1.0°	DR: Chen Quan Long	DATE:19/08/01
FINISH:		DATE:19/08/01	PART NO:
DRAWING NO:	APPD:Ren An De	DATE:19/08/01	SCALE: N/A
			PAGE: 1/1
			UNITS: mm
			REV.: A