






# 浙江汇隆晶片技术有限公司

Zhejiang Huilong Crystals Technology Co.,Ltd

## SPECIFICATION FOR APPROVAL

CUSTOMER	_____
NOMINAL FREQUENCY	25.000000 MHz
HOLDER TYPE	5032
SPEC. NO. ( P/N )	HY25000006
CUSTOMER P/N	_____
ISSUE DATE	Oct.17,2024

APPROVED	PREPARED	QA
		
APPROVED BY CUSTOMER:		AVL Status
Please return one copy with approval to HLC		

浙江省金华市婺城区秋滨街道新宏路895号  
 No. 895 Xinhong Road, Qiubin Street, Wucheng District,  
 Jinhua City, Zhejiang Province, China  
 TEL: 0086-579-82273331  
 FAX: 0086-579-82273198  
<http://www.cn-hlc.com>



ISO9001  
ISO14001



RoHS Compliant ( Pb- Free )



# TYPE HY SEAM SEALED X'TAL

## ELECTRICAL SPECIFICATIONS

HLC Parts Number : HY25000006

Item	Symbol	Specifications				Notes
		Min	Type	Max	Units	
Nominal frequency	FO	25.000000			MHz	
Mode of Oscillation	OT	Fundamental				
Load Capacitance	CL	18			pF	
Frequency Tolerance	FT	± 10			ppm	at 25°C ± 3°C
Frequency Stability		± 30			ppm	with working temperature Reference to 25°C
Working temperature range	TR	-40~85			°C	
Drive Level	DL	100			μW	
Series Resonant Resistance RR	CI/RR	40			Ω	Max.
Insulation Resistance	IR	>500			MΩ	
Shunt Capacitance C0	C0	5			pF	Max.
Aging		± 3			ppm/yr.	
Storage temperature range		-55~ 125			°C	

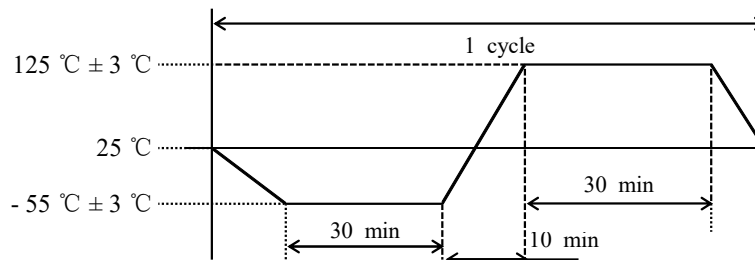




# TYPE HY SEAM SEALED X'TAL

## RELIABILITY SPECIFICATIONS

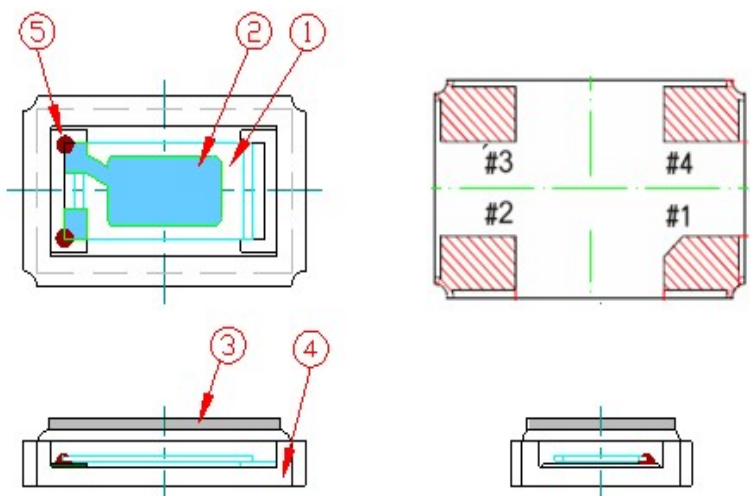
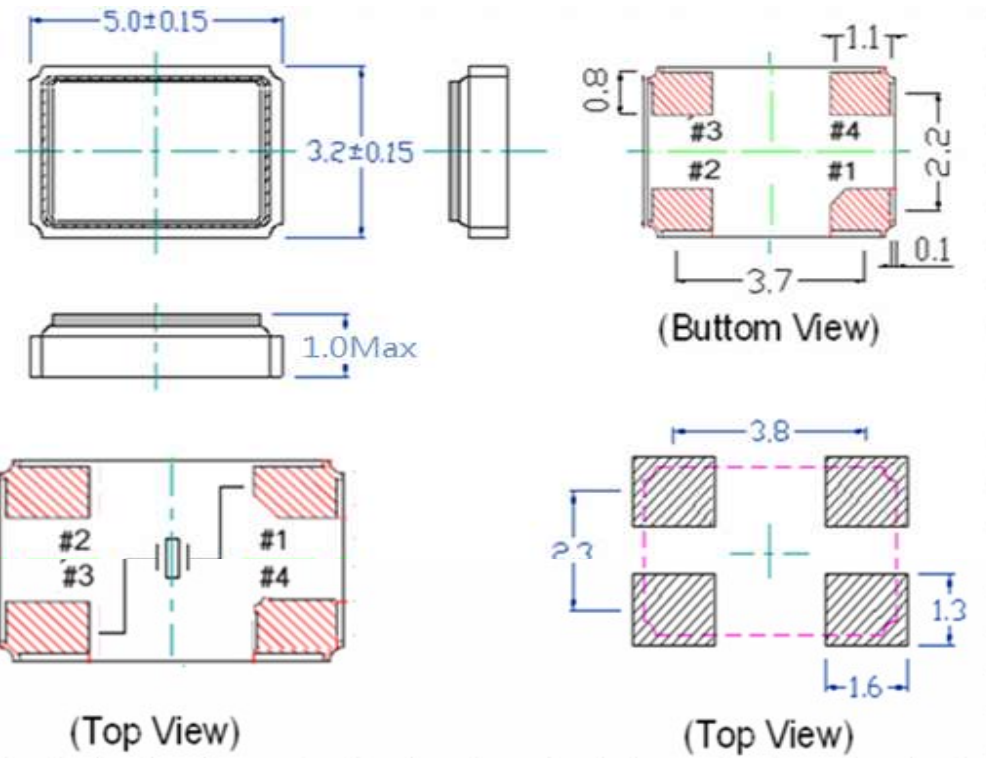
NO.	TEST ITEM	TEST METHODS										
1	DROP TEST	Device are dropped from a height of 150 cm onto 2 mm thickness stainless plate executing 3 times of random drops.										
2	MECHANICAL SHOCK	Device are shocked to half sine wave (1000 G) three mutually perpendicular axes each 3 times.										
3	VIBRATION	<table border="0"> <tr> <td>Frequency range</td> <td>10 ~ 2000 Hz</td> </tr> <tr> <td>Amplitude</td> <td>1.5 mm</td> </tr> <tr> <td>Sweep Time</td> <td>20 minute</td> </tr> <tr> <td>Test Time</td> <td>2 hours</td> </tr> </table>	Frequency range	10 ~ 2000 Hz	Amplitude	1.5 mm	Sweep Time	20 minute	Test Time	2 hours		
Frequency range	10 ~ 2000 Hz											
Amplitude	1.5 mm											
Sweep Time	20 minute											
Test Time	2 hours											
4	SOLDERABILITY	MIL - STD - 20E Method 208C <table border="0"> <tr> <td>Temperature</td> <td>245°C±5°C</td> </tr> <tr> <td>Material</td> <td>H63A (Silver 2 ~ 3 %)</td> </tr> <tr> <td>Immersion depth</td> <td>0.5 mm minimum</td> </tr> <tr> <td>Immersion time</td> <td>3 ± 0.5 seconds</td> </tr> <tr> <td>Flux</td> <td>Rosin resin methyl alcohol solvent ( 1 : 4 )</td> </tr> </table>	Temperature	245°C±5°C	Material	H63A (Silver 2 ~ 3 %)	Immersion depth	0.5 mm minimum	Immersion time	3 ± 0.5 seconds	Flux	Rosin resin methyl alcohol solvent ( 1 : 4 )
Temperature	245°C±5°C											
Material	H63A (Silver 2 ~ 3 %)											
Immersion depth	0.5 mm minimum											
Immersion time	3 ± 0.5 seconds											
Flux	Rosin resin methyl alcohol solvent ( 1 : 4 )											
5	RESISTANCE TO SOLDERING HEAT	MIL - SLD -202, Method 210, Condition I or J 10 sec immersion into 260 ± 5°C solder pot, above 180°C is 90 ~ 120 sec.										
6	LOW TEMP. STORAGE	Leave at - 40 °C ± 2°C for 16 hours										
7	HIGH TEMP. STORAGE	Leave at 125 °C ± 3°C for 72 hours										
8	THERMAL SHOCK	Total 100 cycles of the following temperature cycle										



*Zhejiang Huilong Crystals Technology Co.,Ltd*

# TYPE HY SEAM SEALED X'TAL

## DIMENSIONS

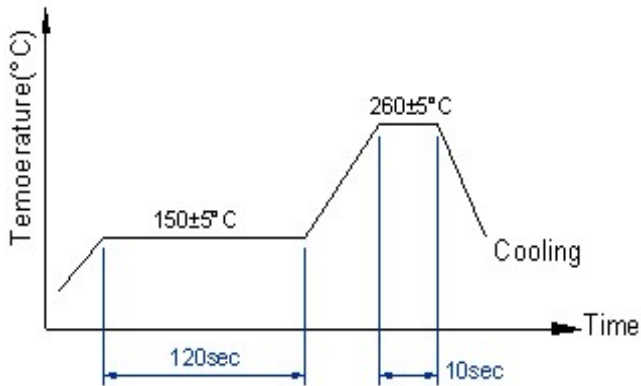


1	Quartz Blank
2	Electrode
3	Lid
4	Base
5	Conductive adhesive



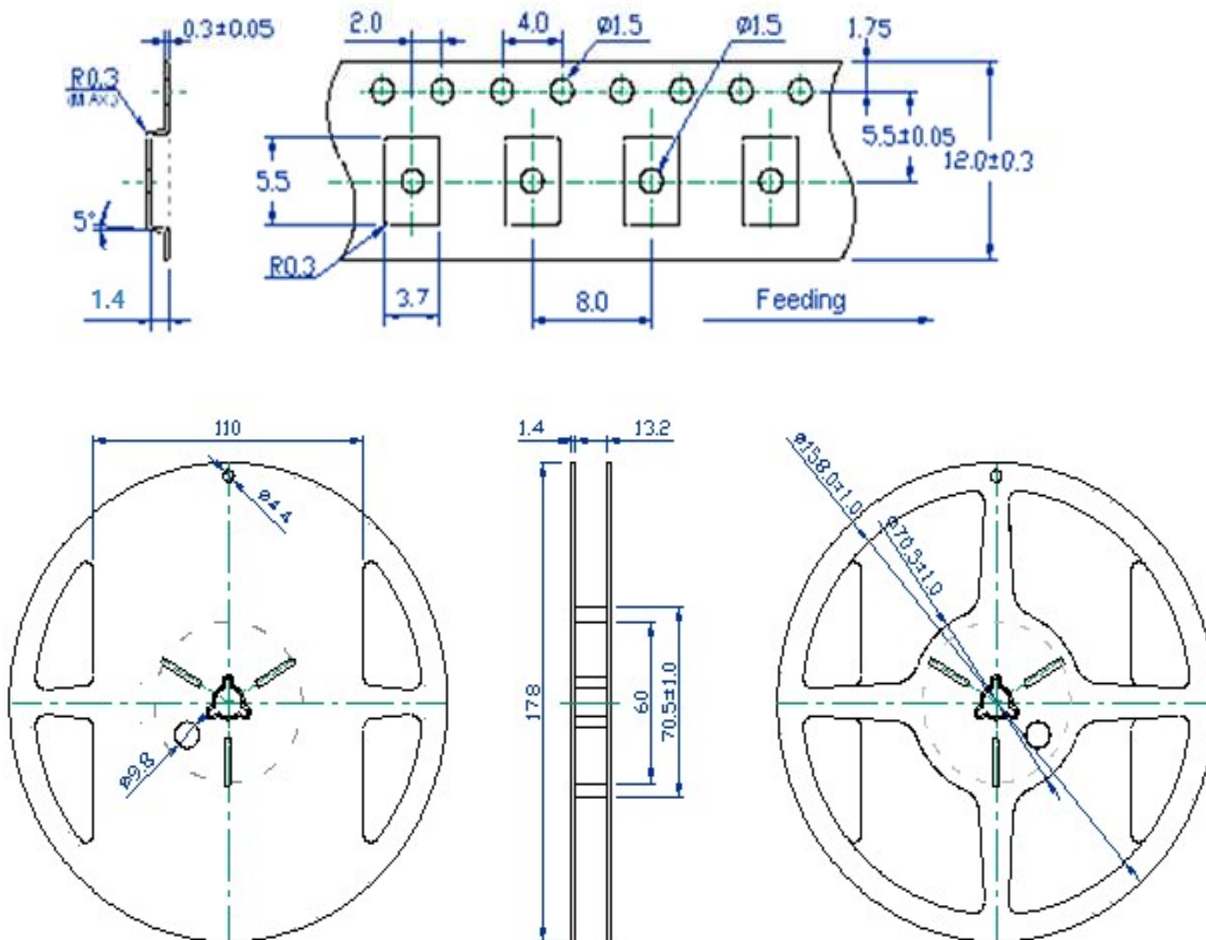
# TYPE HY SEAM SEALED X'TAL

## SUGGESTED IR REFLOW PROFILE



Total Time: 200 Sec.Max  
Solder melting point : 185°C

## PACKING



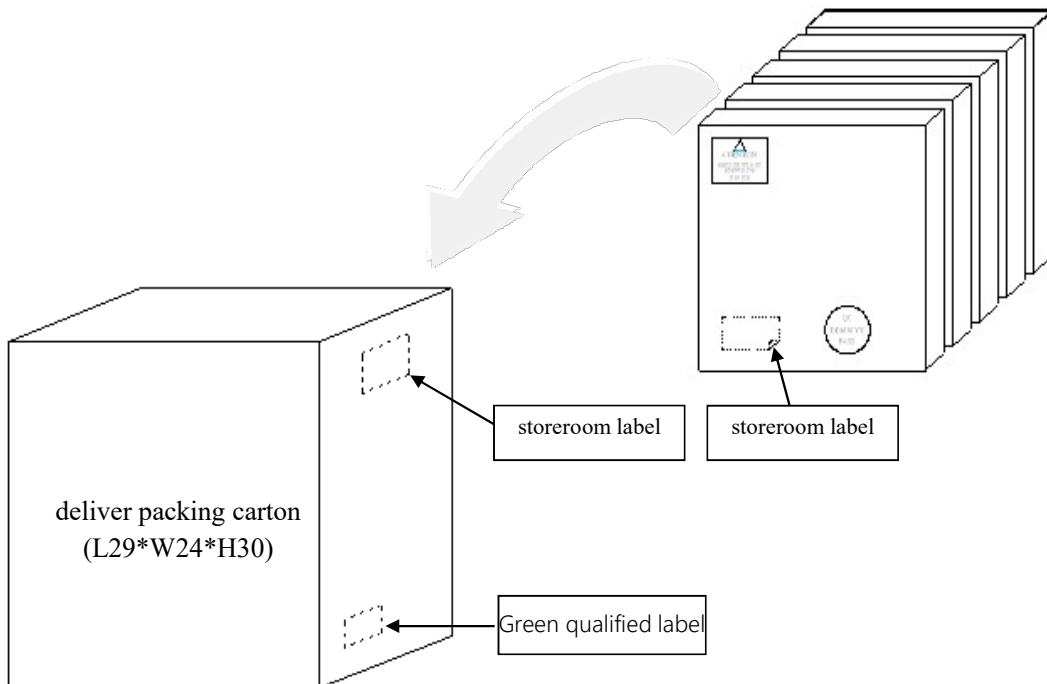
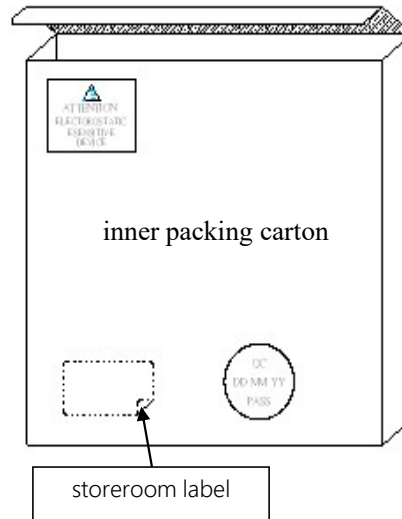
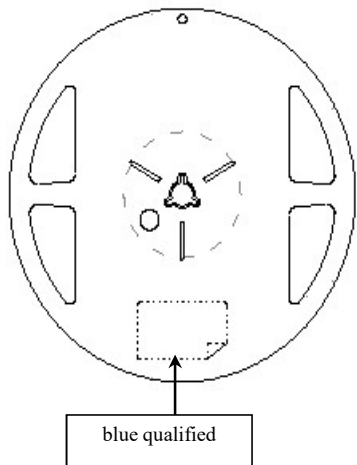
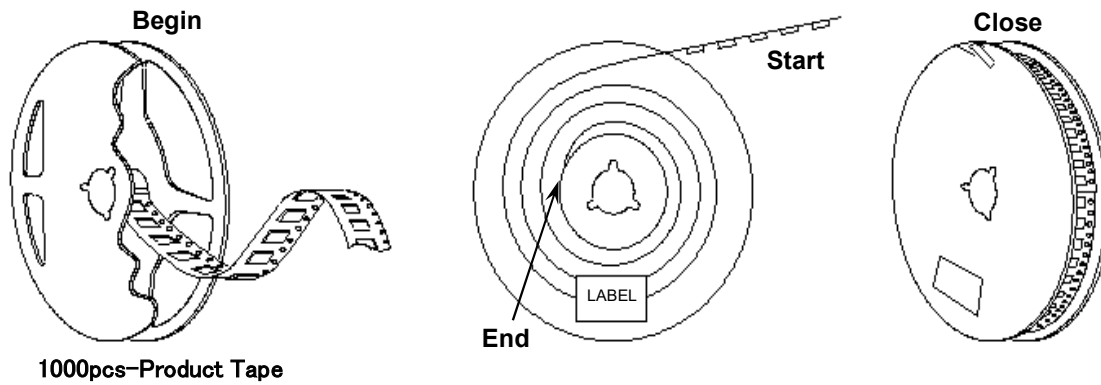
1. 230mm minimum leafer which consist of carrier and/or tape followed by a minimum of 160mm of empty carrier tape sealed with cover tape.
2. 160mm minimum trailer of empty carrier tape sealed with cover tape.

*Zhejiang Huilong Crystals Technology Co.,Ltd*



# TYPE HY SEAM SEALED X'TAL

## PACKING



*Zhejiang Huilong Crystals Technology Co.,Ltd*