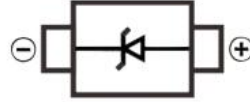
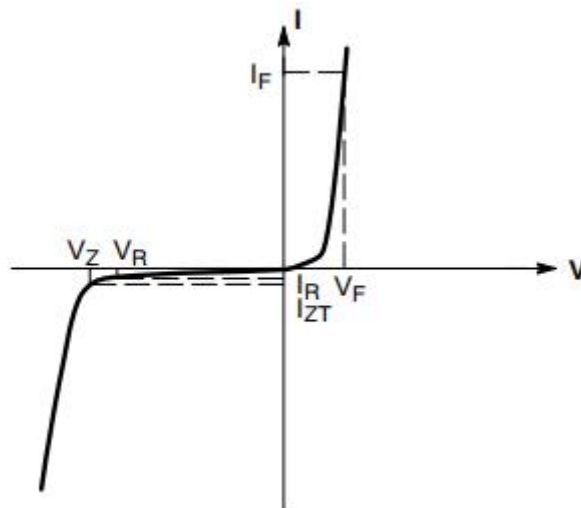


SOD-323 Surface Mounted Zener Diode 表面贴装稳压二极管



■ Absolute Maximum Ratings 最大额定值

Characteristic 特性参数	Symbol 符号	Rat 额定值	Unit 单位
Power dissipation 耗散功率	P_D ($T_a=25^\circ\text{C}$)	300	mW
Thermal Resistance Junction-Ambient 热阻	$R_{\theta JA}$	418	$^\circ\text{C}/\text{W}$
Forward Voltage 正向电压	V_F (@ $I_F=10\text{mA}$)	0.9	V
Reverse Voltage 反向电压	V_Z	2-75	V
Junction and Storage Temperature 结温和储藏温度	T_J, T_{stg}	150 $^\circ\text{C}$, -65to+150 $^\circ\text{C}$	



■ Electrical Characteristics 电特性

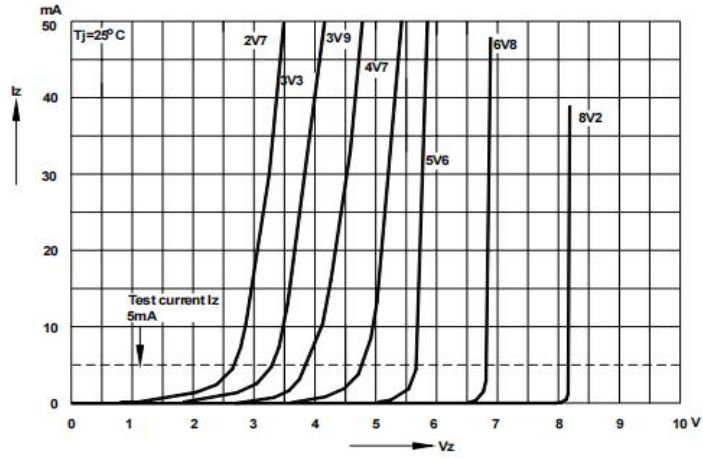
($T_A=25^\circ\text{C}$ unless otherwise noted 如无特殊说明, 温度为 25°C)

BZT52C2V0S-BZT52C75S-6AF

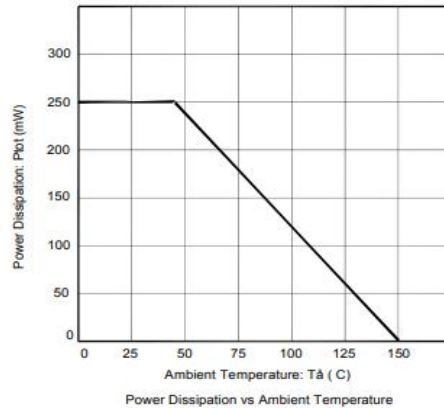
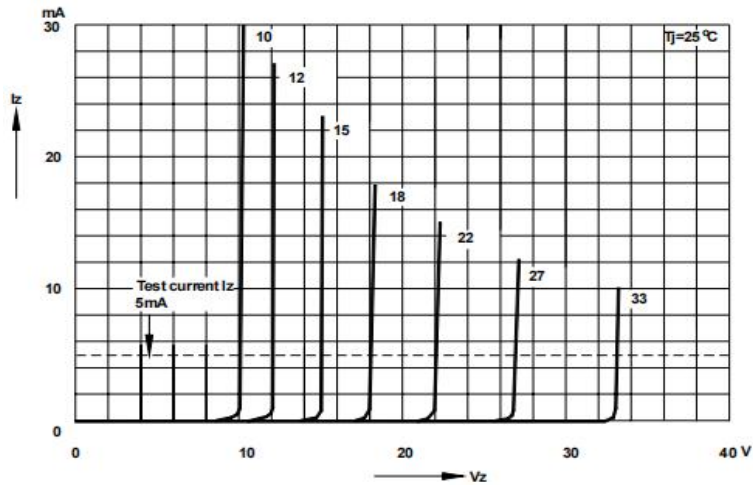
Type	V _Z (V)		DIFFERENTIAL RESISTANCE r _{diff} (Ω)				TEMP. COEFF. S _Z (mV/K)			I _R (uA)		Mark ing
	@I _{ZT} =5mA		@I _{ZK} =1mA		@I _{ZT} =5mA		@I _{ZT} =5mA			@V _R (V)		
	MIN	MAX.	TYP.	MAX.	TYP.	MAX.	MIN.	TYP.	MA	I _R	@V _R	
BZT52C2V0S-6AF	1.9	2.09	325	600	80	100	-3.5	-2.1	0	150	1	WY
BZT52C2V4S-6AF	2.2	2.6	325	600	80	100	-3.5	-2.1	0	50	1	WX
BZT52C2V7S-6AF	2.5	2.9	325	600	80	100	-3.5	-2.1	0	20	1	W1
BZT52C3V0S-6AF	2.8	3.2	325	600	80	95	-3.5	-2.1	0	10	1	W2
BZT52C3V3S-6AF	3.1	3.5	350	600	85	95	-3.5	-2.4	0	5	1	W3
BZT52C3V6S-6AF	3.4	3.8	375	600	85	90	-3.5	-2.4	0	5	1	W4
BZT52C3V9S-6AF	3.7	4.1	400	600	85	90	-3.5	-2.5	0	3	1	W5
BZT52C4V3S-6AF	4.0	4.6	400	600	85	90	-3.5	-2.5	0	3	1	W6
BZT52C4V7S-6AF	4.4	5.0	410	600	80	90	-3.5	-2.5	0	3	2	W7
BZT52C5V1S-6AF	4.8	5.4	425	500	50	80	-3.5	-1.4	0.2	2	2	W8
BZT52C5V6S-6AF	5.2	6.0	400	480	40	60	-2.7	-0.8	1.2	1	2	W9
BZT52C6V2S-6AF	5.8	6.6	80	400	15	40	-2.0	1.2	2.5	3	4	WA
BZT52C6V8S-6AF	6.4	7.2	40	150	6	10	0.4	2.3	3.7	2	4	WB
BZT52C7V5S-6AF	7.0	7.9	30	80	6	15	1.2	3.0	4.5	1	5	WC
BZT52C8V2S-6AF	7.7	8.7	30	80	6	15	2.5	4.0	5.3	0.7	5	WD
BZT52C9V1S-6AF	8.5	9.6	40	80	6	15	3.2	4.6	6.2	0.5	6	WE
BZT52C10S-6AF	9.4	10.6	40	100	6	15	3.8	5.5	7.0	0.2	7	WF
BZT52C11S-6AF	10.4	11.6	50	150	8	20	4.5	6.4	8.0	0.1	8	WG
BZT52C12S-6AF	11.4	12.7	50	150	10	20	5.4	7.4	9.0	0.1	8	WH
BZT52C13S-6AF	12.4	14.1	50	150	10	25	6.0	8.4	10.0	0.1	8	WI
BZT52C15S-6AF	13.8	15.6	50	170	10	30	7.0	9.4	11.0	0.05	10.5	WJ
BZT52C16S-6AF	15.3	17.1	50	200	10	30	9.2	11.4	13.0	0.05	11.2	WK
BZT52C18S-6AF	16.8	19.1	50	200	10	40	10.4	12.4	14.0	0.05	12.6	WL
BZT52C20S-6AF	18.8	21.2	50	225	10	45	12.4	14.4	16.0	0.05	14	WM
BZT52C22S-6AF	20.8	23.3	60	225	15	55	14.4	16.4	18.0	0.05	15.4	WN
BZT52C24S-6AF	22.8	25.6	60	250	20	55	16.4	18.4	20.0	0.05	16.8	WO
BZT52C27S-6AF	25.1	28.9	65	300	25	80	21.4	23.4	25.3	0.05	18.9	WP
BZT52C30S-6AF	28.0	32.0	70	300	30	80	24.4	26.6	29.4	0.05	21	WQ
BZT52C33S-6AF	31.0	35.0	75	325	35	80	27.4	29.7	33.4	0.05	23.1	WR
BZT52C36S-6AF	34.0	38.0	80	350	35	90	30.4	33.0	37.4	0.05	25.2	WS
BZT52C39S-6AF	37.0	41.0	80	350	40	130	33.4	36.4	41.2	0.05	27.3	WT
BZT52C43S-6AF	40.0	46.0	85	375	45	150	37.6	41.2	46.6	0.05	30.1	6A
BZT52C47S-6AF	44.0	50.0	85	375	50	170	42.0	46.1	51.8	0.05	32.9	6B
BZT52C51S-6AF	48.0	54.0	95	400	60	180	46.6	51.3	57.2	0.05	35.7	6C
BZT52C56S-6AF	52.0	60.0	110	425	75	200	52.2	58.4	63.8	0.05	39.2	6D
BZT52C62S-6AF	58.0	66.0	130	450	90	215	58.8	63.9	71.6	0.05	43.4	6E
BZT52C68S-6AF	64.0	72.0	160	475	110	240	65.6	72.2	79.	0.05	47.6	6F
BZT52C75S-6AF	70.0	79.0	200	500	150	255	73.4	81.1	88.	0.05	52.5	6H

■ Typical Characteristic Curve 典型特性曲线

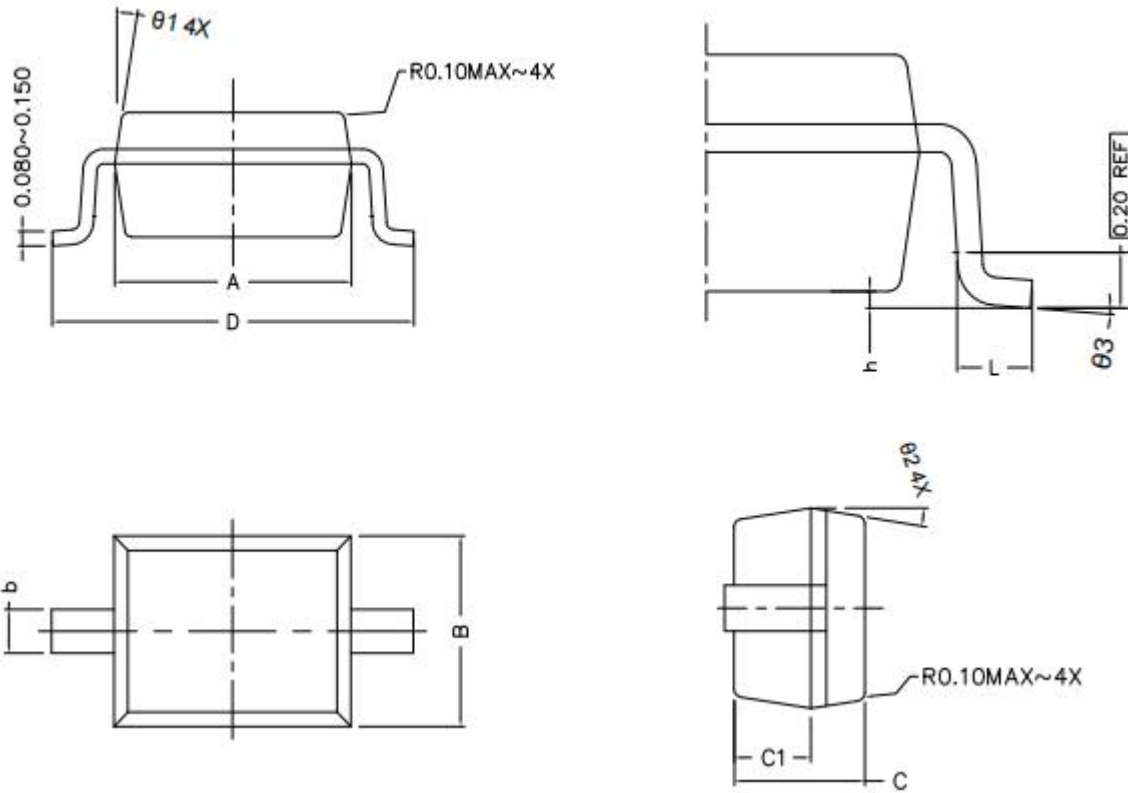
Breakdown characteristics
T_j = constant (pulsed)



Breakdown characteristics
T_j = constant (pulsed)



■Dimension 外形封装尺寸



Symbol	Dimensions In Millimeters		Dimensions In Inches	
	Min	Max	Min	Max
A	1.600	1.800	0.063	0.071
B	1.200	1.400	0.047	0.055
C	0.750	0.950	0.030	0.037
C1	0.450	0.550	0.018	0.022
D	2.450	2.800	0.096	0.110
L	0.200	0.400	0.008	0.016
b	0.200	0.400	0.008	0.016
h	0.020	0.120	0.001	0.005
$\theta 3$	0°	8°	0°	8°