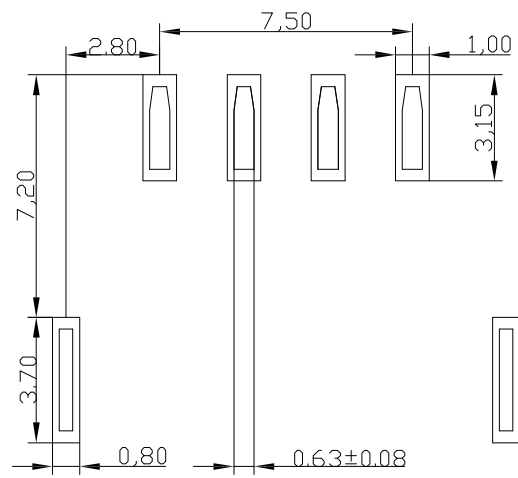
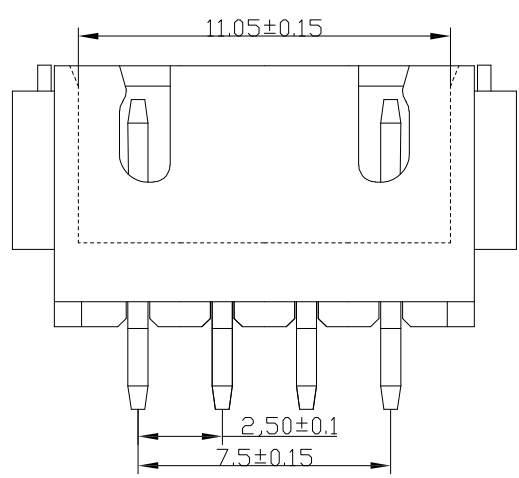
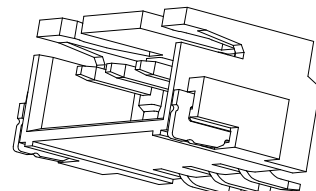
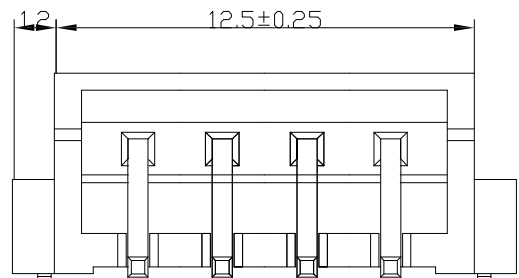
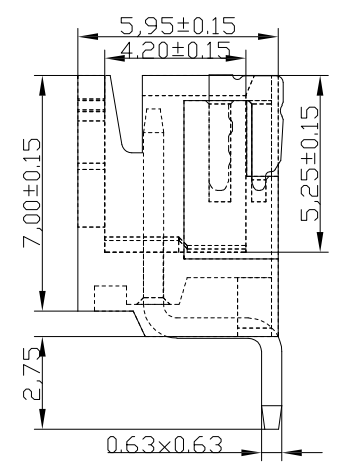


RoHS



P.C.B LAYOUT TOP VIEW



TECHNICAL PARAMETERS :  
 TEMPERATURE RANGE: 25°C~+85°C  
 CURRENT RATING : 3.0A  
 RATED VOLTAGE: 250V DC/AC  
 CONTACT RESISTANCE : <20mΩ  
 INSULATION RESISTANCE : >1000MΩ  
 WITHSTAND VOLTAGE : 1000V AC/MINUTE  
 MATERIAL :  
 PLASTIC: LCP/PA9T  
 PIN: BRASS  
 COATING: Sn PLATING

TOLERANCE UNLESS OTHERWISE SPEC		SHENZHEN FUGANG TECHNOLOGY CO.,LTD					
BASIC DIMENSION	TOLERANCE	DSND	B	C	26.01.07	TITLE:PIN SEAT	
x.x	±0.30	CHKD	L	P	J	26.01.07	PART NO:XH-04AWT
x.xx	±0.20	APVD	L	Z	W	26.01.07	
x.xxx	±0.10						
ANGLES	±3°			UNIT:mm	SCALE:1:1	SIZE:A4	SHEET:1/1