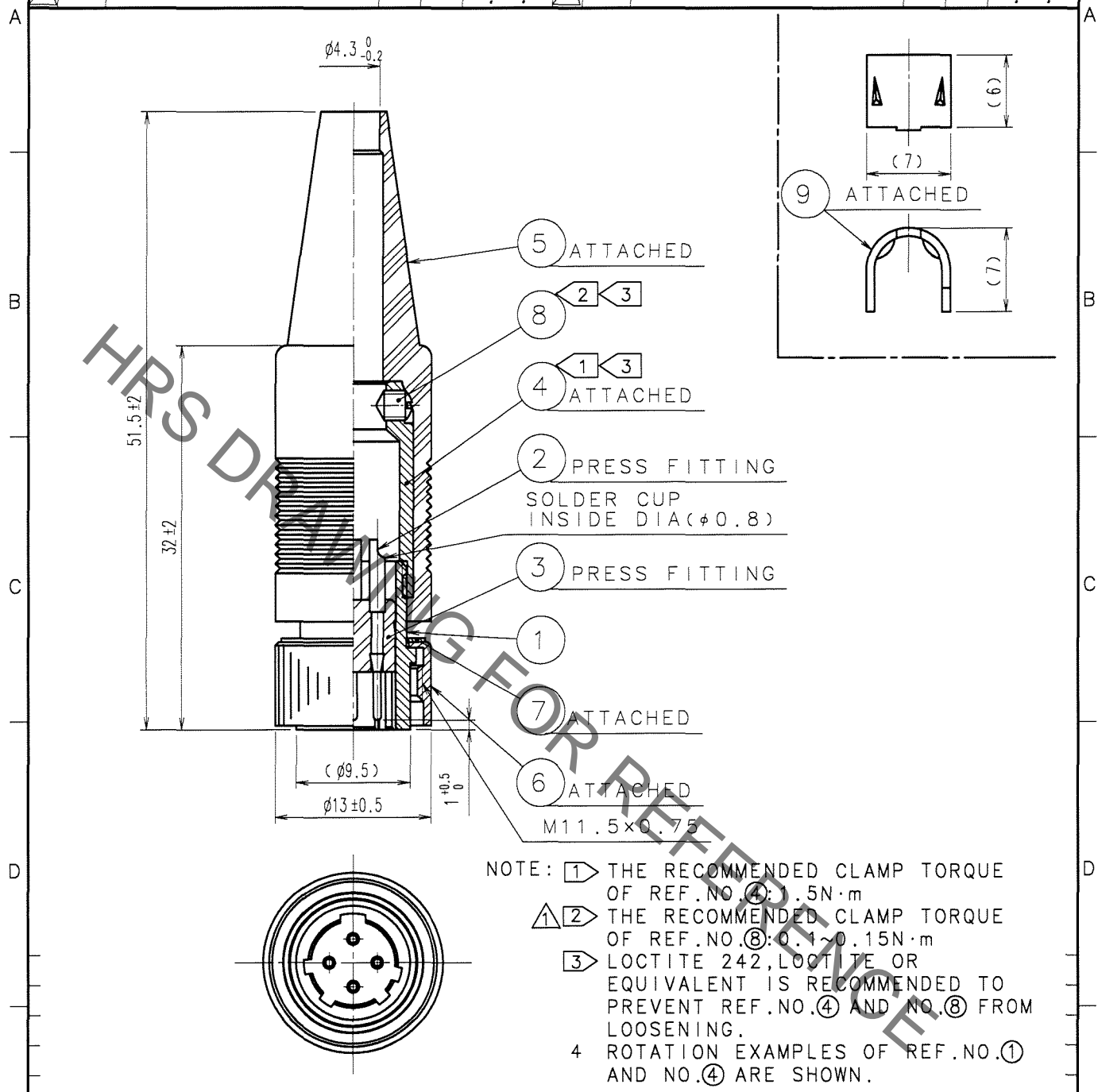


Jan.1.2022 Copyright 2022 HIROSE ELECTRIC CO., LTD. All Rights Reserved.  
In case of consideration for using Automotive equipment / device which demand high reliability, kindly contact our sales window correspondents.

1	2	3	4						
COUNT	DESCRIPTION OF REVISIONS	BY	CHKD	DATE	COUNT	DESCRIPTION OF REVISIONS	BY	CHKD	DATE
1	DIS-C-000514	T.K	E.K	07.02.17					



5	CR	(BLACK)			
4	BRASS	NICKEL PLATING	9	BRASS	
3	POLYACETAL	(WHITE)	8	STEEL	NICKEL PLATING M2.6×0.45×3
2	BRASS	SURFACE PLATING: GOLD PLATING 0.2μm min. UNDER PLATING: NICKEL PLATING 3μm min.	7	BRASS	CHROME PLATING
1	ZINC ALLOY	NICKEL PLATING	6	BRASS	CHROME PLATING
NO.	MATERIAL	FINISH, REMARKS	NO.	MATERIAL	FINISH, REMARKS

CODE NO. (OLD)		DRAWN	DESIGNED	CHECKED	APPROVED	RELEASED
		E.YUMINO	E.YUMINO	H.ZEMBA	M.SATO	
		05.09.03	05.09.03	05.09.09	05.09.12	
DRAWING NO. EDC4-006144-71			PART NO. SR30-10PE-4P(71)			
SCALE 2:1			CODE NO. CL103-0265-2-71			1/1
UNITS mm			HRS HIROSE ELECTRIC CO., LTD.			

TO
R