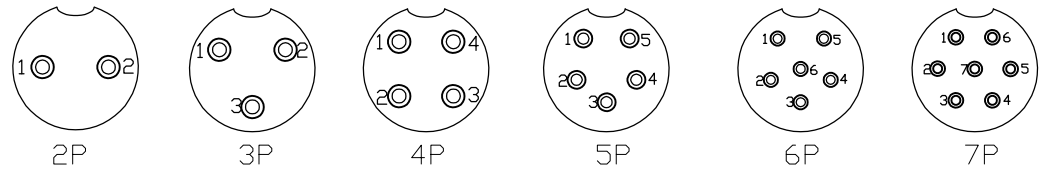
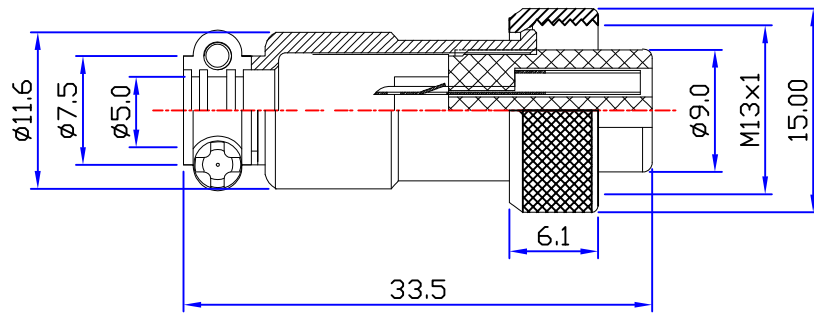




Product No:		DS869FCS0046		
REV	DESCRIPTION	DWN	DATE	APPROVEN
A	FIRST ISSUE	XIEFENG	2022/06/15	Mr.chen



Material and specifications

- Coupling Threaded coupling
- Shell material Zinc alloy with Nickel Plate
- Insert material bakelite
- Contact material copper Silver Plate/Nickel
- Termination Solder
- Mating cycle 500
- Cable diameter -20℃ +85℃

Technology parameter						
NO.of contacts	2	3	4	5	6	7
Rated current (A)	5	5	5	5	5	5
Operation limit voltage(AC.V.rms)	200	125	125	125	125	125
Withstanding voltage(AC.V.rms) 1 minute	1500	1500	1500	1500	1500	1500
Insulation resistance(mΩ)	2000	2000	2000	2000	2000	2000
Contact resistance (mΩ)	5	5	5	5	5	5
Solder cup mouth aperture	φ0.8	φ0.8	φ0.8	φ0.8	φ0.8	φ0.8
Solder inter diameter	φ1.2	φ1.2	φ1.2	φ1.2	φ1.2	φ1.2

NOTE:		Tolerance	UNLESS OTHERWISE SPECIFIED TOLERANCES FOR DIMENSIONS ARE 0.5-8MM±0.10MM 8-30MM±0.15MM 30-120MM±0.20MM		DOSIN DOSIN INDUSTRIAL(HK)CO.,LTD 东莞市德索五金电子有限公司 Dongguan Dosin Hardware Electronics Co.,Ltd.	Web: http://www.dosinconn.com dosin2005@dosin-china.com E-mail: dosin2005@163.com Tel: (0086)769-81153906 Fax: (0086)769-81875836
DRAWN: XIEFENG	DATE: 22/06/15					
CHECKED:		UNIT	MM	Product NO. DS869FCS0046	REV	A
APPROVALS:		SCALE	1 : 1	CAD FILE	H/companydrawings/BD SHEET: 1 OF 1	