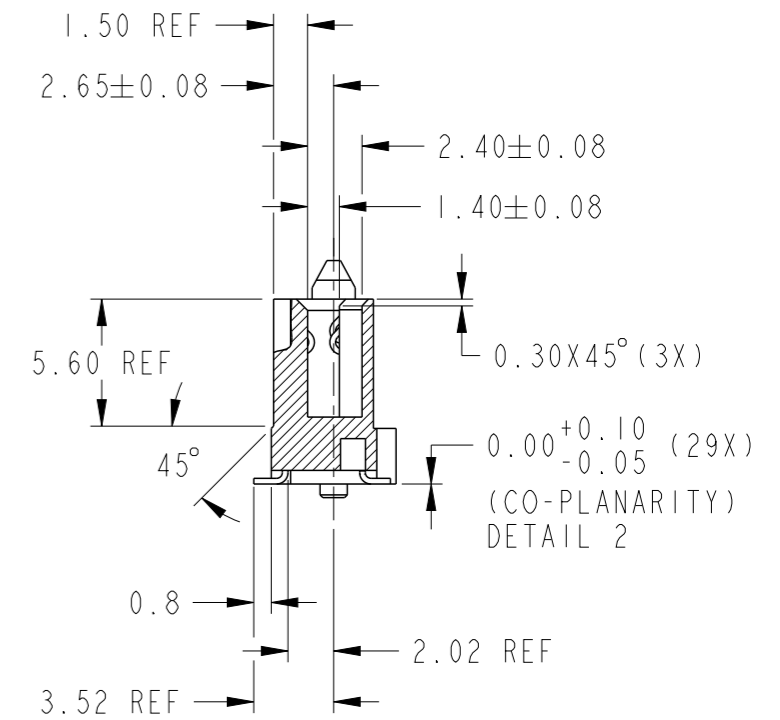
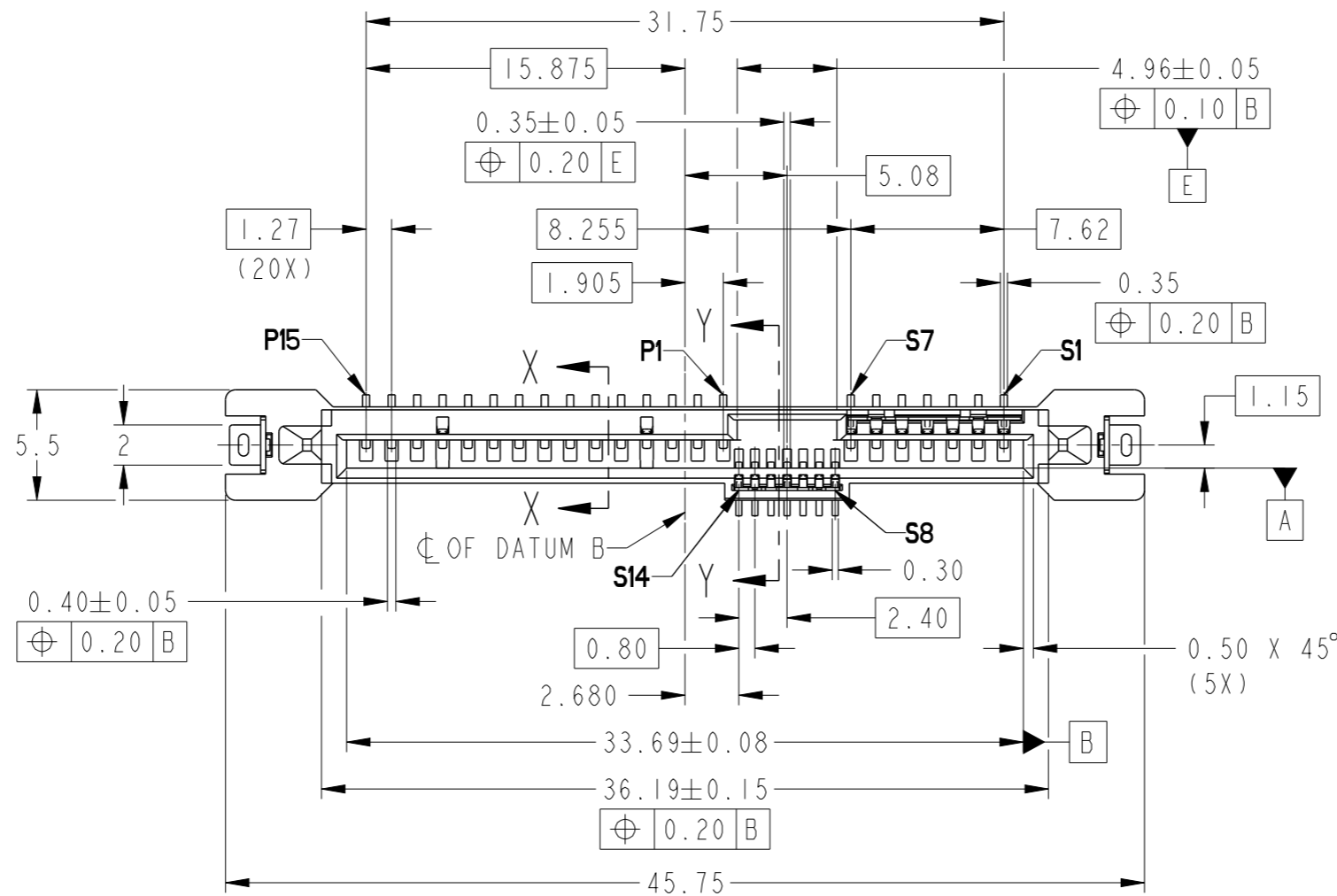
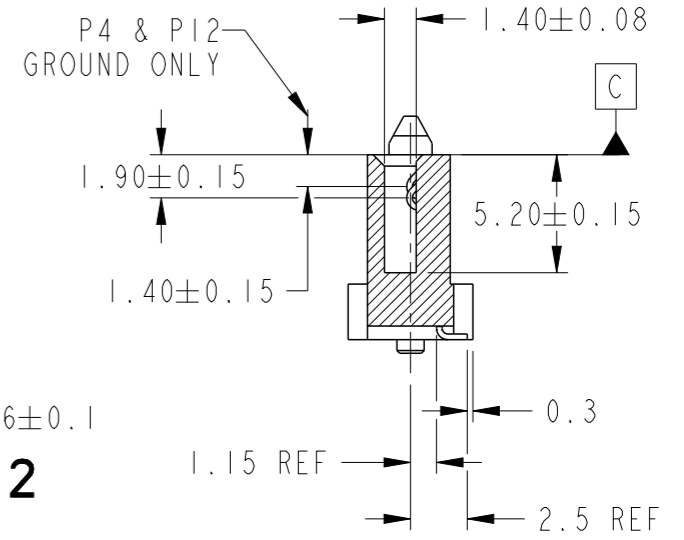
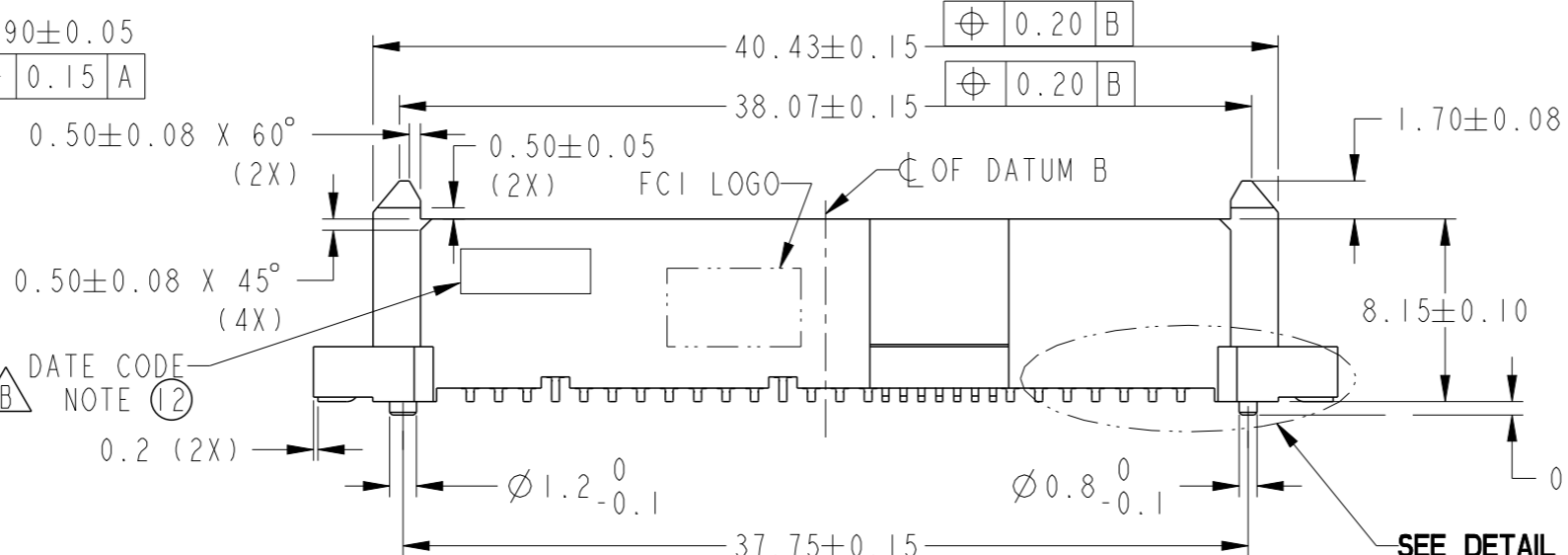
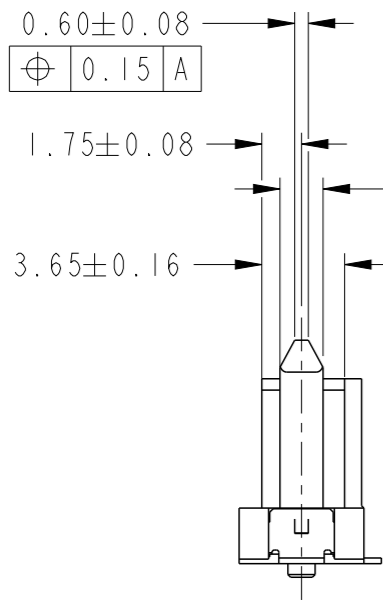


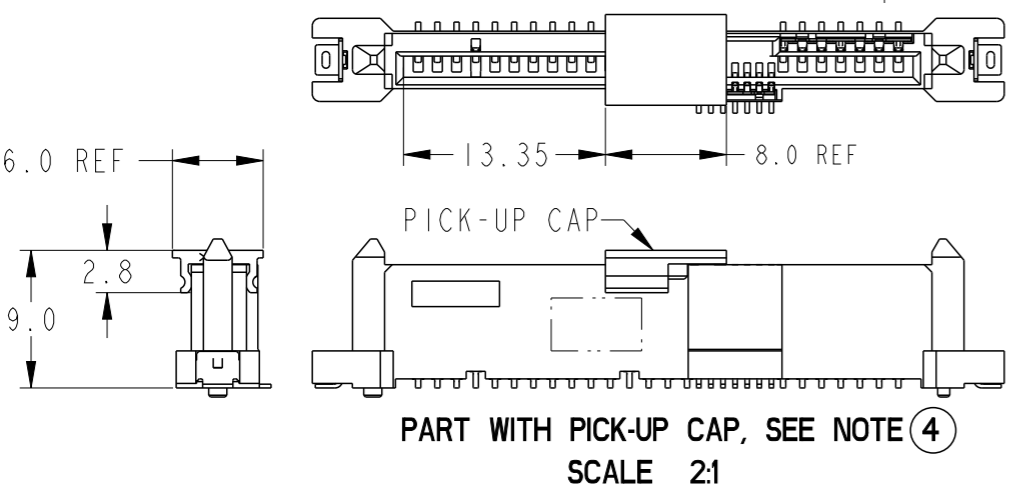
PRODUCT NUMBER
SEE TABLE



SECTION Y-Y



SECTION X-X



spec ref	-	dr	K Ayyapparaj	2012/07/27
tolerance std	ISO 406 ISO 1101	eng	Guat-Lian Loo	2015/07/08
	TOLERANCES UNLESS OTHERWISE SPECIFIED	chr	-	-
surface	ISO 1302	appr	Chen-Hong Tan	2015/07/08
	linear			
	angular			

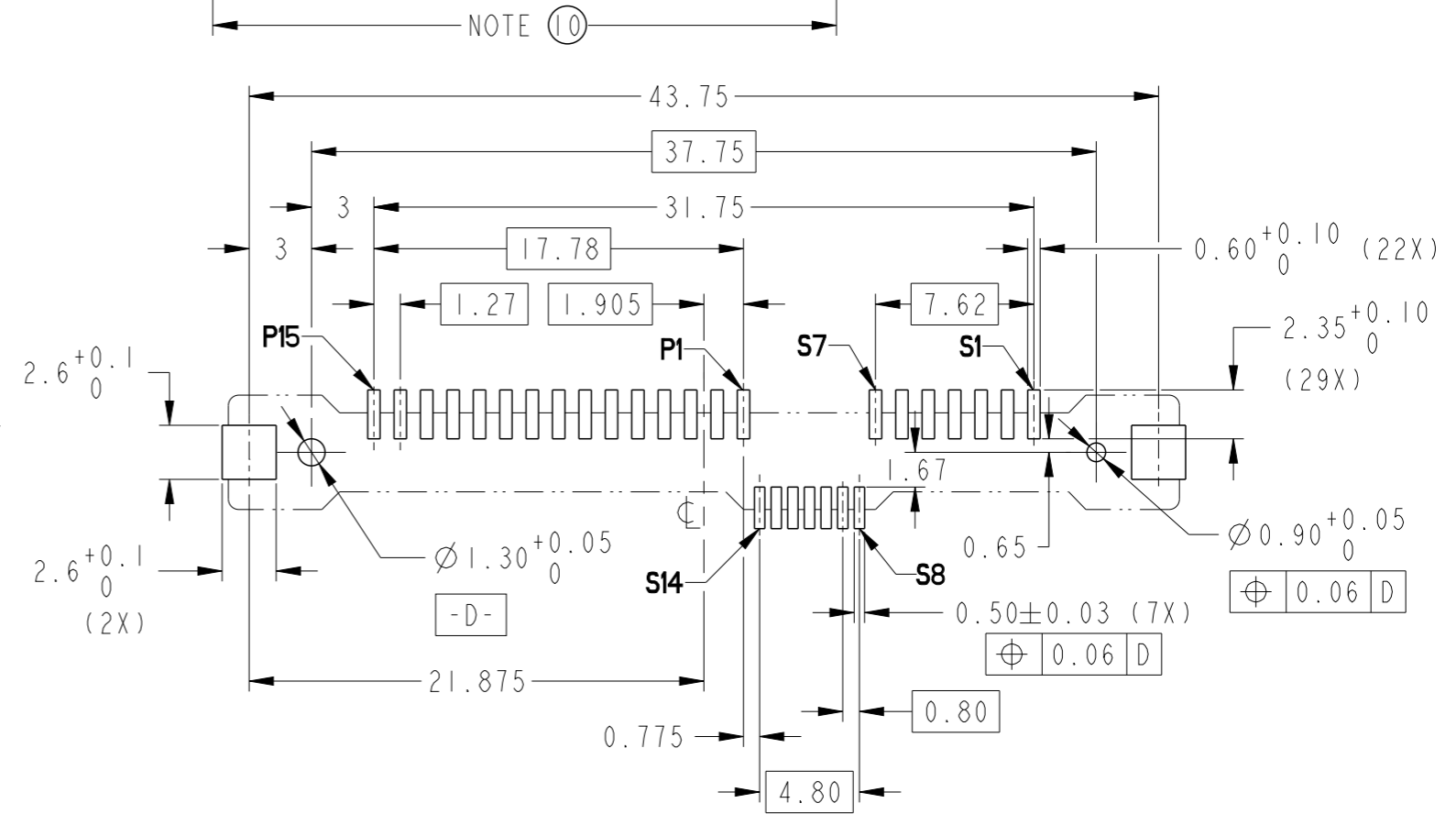
projection	mm	size	A3	scale	3:1
ecn no	ELX-S-18954-1	rel level	Released		
product family	SAS	dwg no	10120818	rev	B
cat. no.	-	Product - Customer Drw	sheet 1 of 3		

Copyright FCI.

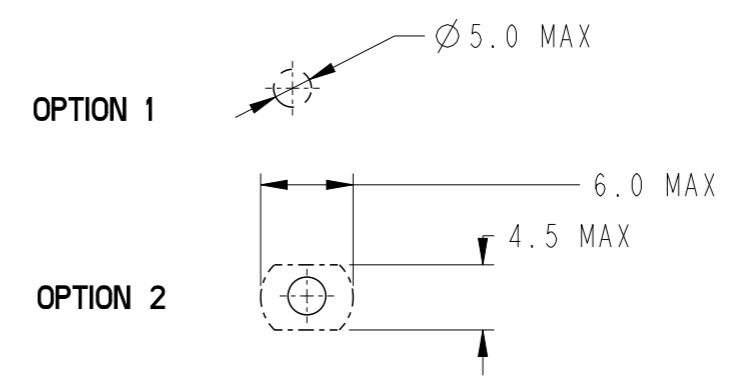
PRODUCT NUMBER	METAL CLIP	PLATING	PICK-UP CAP	PACKAGING	REMARKS	PRODUCT NUMBER	PLATING
10120818-001LF	2 PCS	NOTE ②	NO	TRAY	NOTE ⑧	10120818-401LF	NOTE ⑩
10120818-001CLF			YES		NOTE ④ & ⑧	10120818-401CLF	
10120818-001C-TRLF			YES	TAPE & REEL	NOTE ④ ⑥ & ⑧	10120818-401C-TRLF	

NOTES:

1. MATERIAL :
 1) HOUSING : HIGH TEMP THERMOPLASTIC, UL 94V-0
 COLOR : BLACK
 2) TERMINAL : COPPER ALLOY
 3) HOLD DOWN : COPPER ALLOY
- ② FINISH :
 1) TERMINAL : 30μ" Au PLATING (CONTACT POINT) OVER 50μ" NICKEL
 2) SOLDER TAIL : 100μ" MIN Sn OVER 50μ" NICKEL
 3) HOLD DOWN : 100μ" MIN Sn OVER 50μ" NICKEL
3. PER SFF REV 1.1, EXCEPT 0.8mm PITCH BUMP AREA.
- ④ PART WITH PICK-UP CAP, P/N XXXXXXXX-XXXCLF.
5. THE STD PACKAGING IS IN TRAY UNLESS OTHERWISE SPECIFIED.
- ⑥ PART NUMBER WITH SUFFIX "-TR" MEANS FOR TAPE & REEL PACKAGING (E.G. P/N: XXXXXXXX-XXXC-TRLF).
7. THE HOUSING WILL WITHSTAND EXPOSURE TO 260°C PEAK TEMPERATURE FOR 10 SECONDS IN A CONVECTION, INFRA-RED OR VAPOR PHASE REFLOW OVEN.
- ⑧ THIS PRODUCT MEETS EUROPEAN UNION DIRECTIVES AND OTHER COUNTRY REGULATIONS AS DESCRIBED IN GS-47-0004.
9. PART NUMBERS ENDING IN "LF" MEANS FOR NOTE 8 LEAD FREE IDENTIFICATION
- ⑩ FINISH :
 1) TERMINAL : 15μ" GXT PLATING (CONTACT POINT) OVER 50μ" NICKEL
 2) SOLDER TAIL : 100μ" MIN Sn OVER 50μ" NICKEL
 3) HOLD DOWN : 100μ" MIN Sn OVER 50μ" NICKEL
11. A \triangle B SYMBOL WILL BE NEXT TO ANY DIMENSION, VIEW, OR NOTE WHICH HAS BEEN MODIFIED WITH THE CURRENT DRAWING REVISION.
- \triangle ⑫ DATE CODE LOCATION. DATE CODE NO. YYWWD (E.G. 14225)



RECOMMENDED PCB LAYOUT

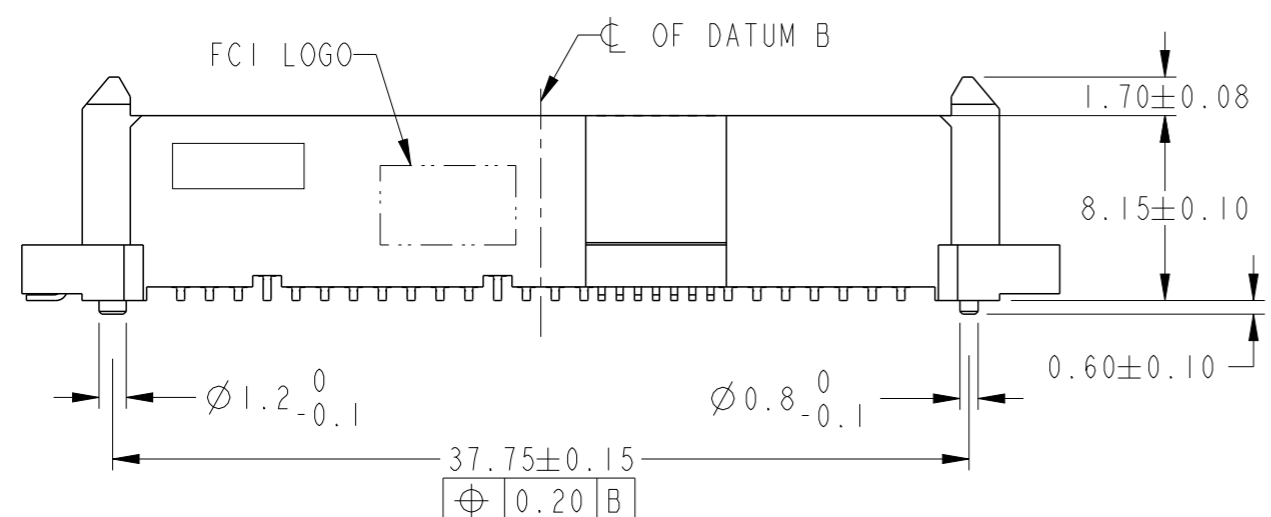
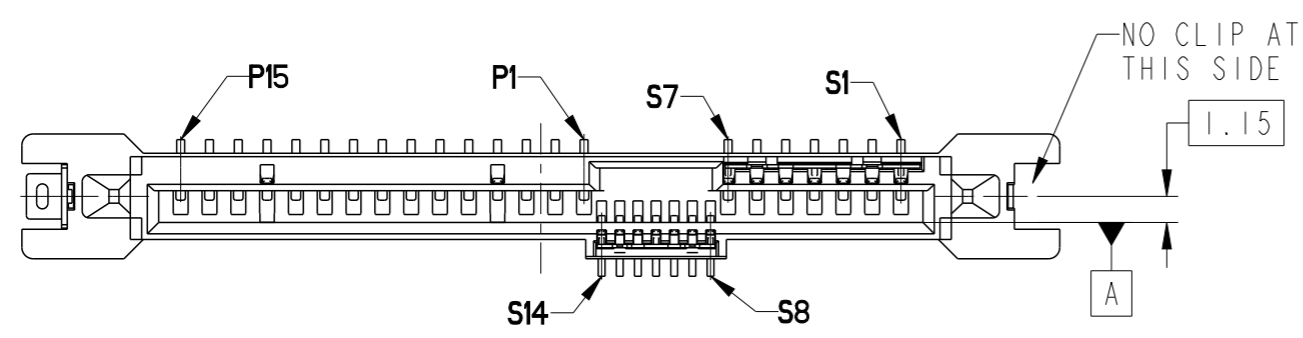


RECOMMENDED SUCTION HEAD SIZE

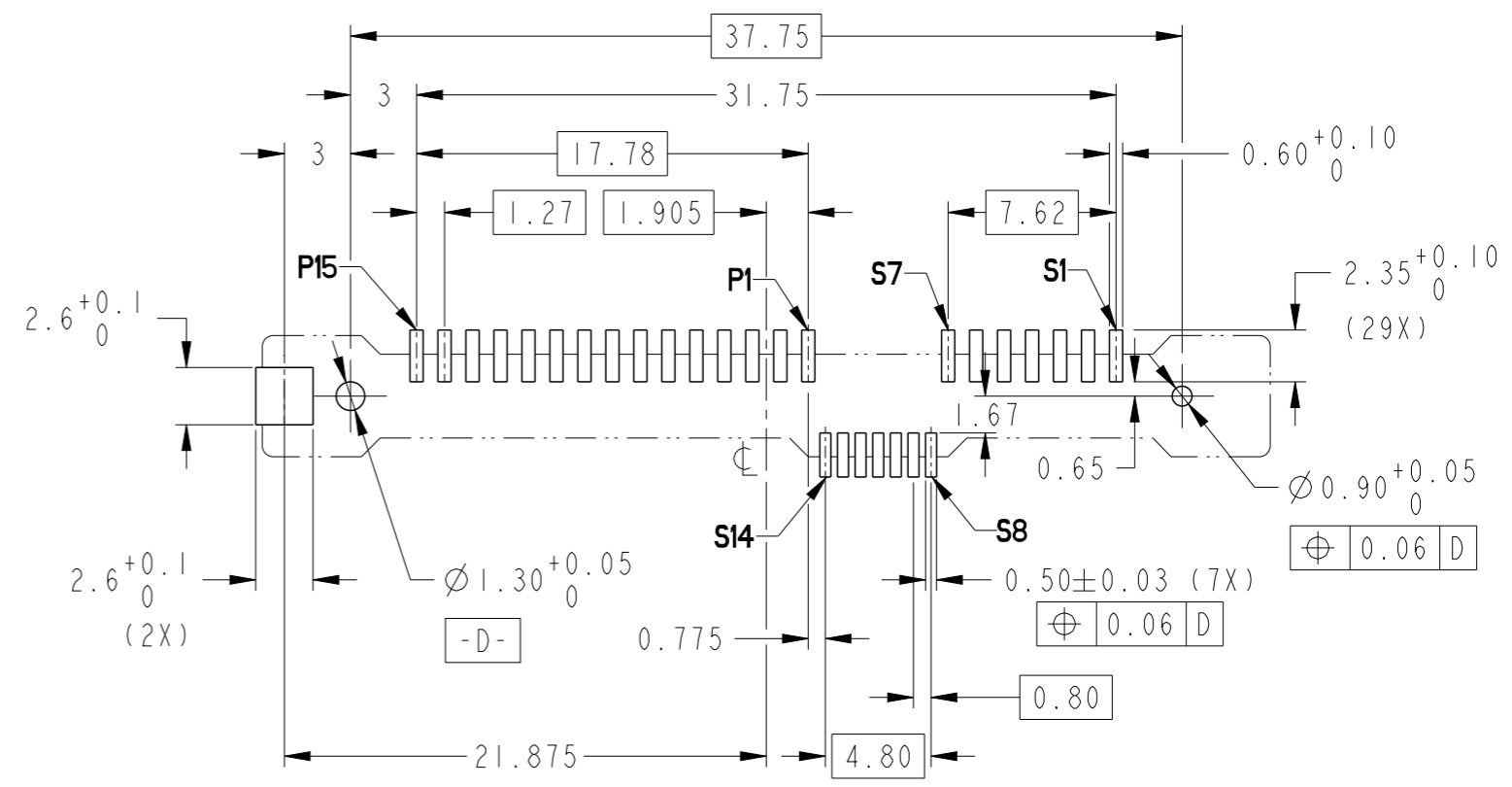
spec ref	-	dr	K Ayyapparaj	2012/07/27	projection	mm	size	A3	scale	3:1
tolerance std	ISO 406 ISO 1101	eng	Guat-Lian Loo	2015/07/08			ecn no	ELX-S-18954-1	rel level	Released
TOLERANCES UNLESS OTHERWISE SPECIFIED		chr	-	2015/07/08						
surface	linear	0.X	±-				dwg no	10120818	rev	B
		0.XX	±0.20							
		0.XXX	±-							
	angular	0°	±2°	www.fci.com	cat. no.	-	Product - Customer Drw	sheet 2 of 3		

Copyright FCI.

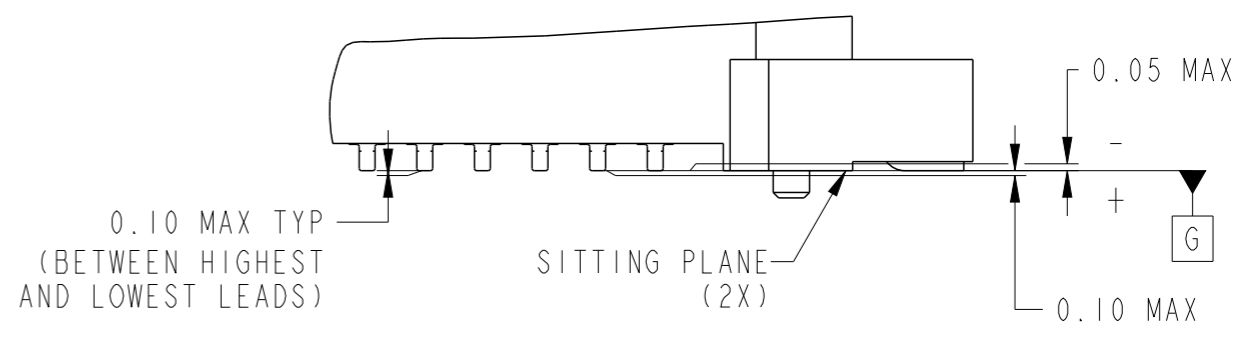
PRODUCT NUMBER	METAL CLIP	PLATING	PICK-UP CAP	PACKAGING	REMARKS	PRODUCT NUMBER	PLATING
10120818-002LF	1 PCS	NOTE ②	NO	TRAY	NOTE ⑧	10120818-402LF	NOTE ⑩
10120818-002CLF			YES		NOTE ④ & ⑧	10120818-402CLF	
10120818-002C-TRLF			YES	TAPE & REEL	NOTE ④ ⑥ & ⑧	10120818-402C-TRLF	



ALL OTHER DIMENSIONS, REFER TO SHEET 1



RECOMMENDED PCB LAYOUT



DETAIL 2
SCALE 6:1

spec ref	-	dr	K Ayyapparaj	2012/07/27	projection	mm	size	A3	scale	3:1
tolerance std	ISO 406 ISO 1101	eng	Guat-Lian Loo	2015/07/08		← →	ecn no	ELX-S-18954-1	rel level	Released
surface	✓	chr	-	2015/07/08			product family	SAS		rev
	linear	0.X	±-		12G SAS RECEPTACLE		dwg no	10120818		sheet 3 of 3
	angular	0°	±2°		VERTICAL SMT TYPE ASSY			Product - Customer Drw	Printed: Jul 09, 2015	

Copyright FCI.