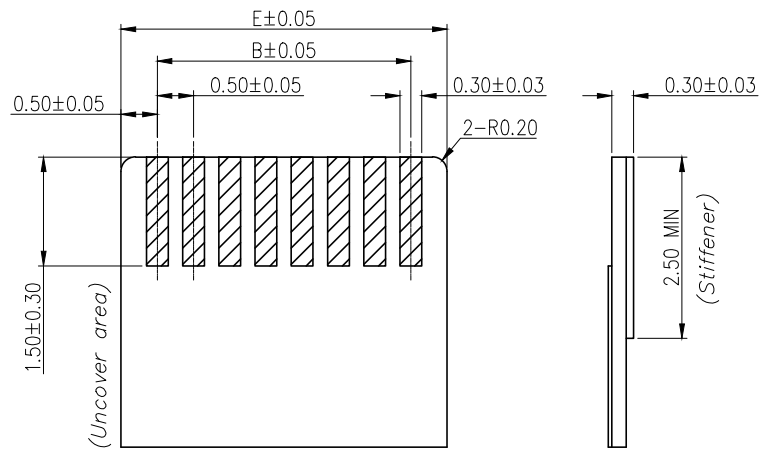


Recommended PCB mounting pattern and metal mask dimensions  
Recommended metal mask thickness: t=0.1




Recommended FPC/FFC Dimensions

标记 MARK	ECN编号/变更内容 ECN NO/DEFINITION					修改 REVISE	日期 DATE	核准 APPROVE				
15	9.50	7.00	8.07	8.89	8.00	40	22.00	19.50	20.57	21.39	20.50	
14	9.00	6.50	7.57	8.39	7.50	34	19.00	16.50	17.57	18.39	17.50	
13	8.50	6.00	7.07	7.89	7.00	32	18.00	15.50	16.57	17.39	16.50	
12	8.00	5.50	6.57	7.39	6.50	30	17.00	14.50	15.57	16.39	15.50	
10	7.00	4.50	5.57	6.39	5.50	28	16.00	13.50	14.57	15.39	14.50	
9	6.50	4.00	5.07	5.89	5.00	26	15.00	12.50	13.57	14.39	13.50	
8	6.00	3.50	4.57	5.39	4.50	24	14.00	11.50	12.57	13.39	12.50	
7	5.50	3.00	4.07	4.89	4.00	22	13.00	10.50	11.57	12.39	11.50	
6	5.00	2.50	3.57	4.39	3.50	20	12.00	9.50	10.57	11.39	10.50	
5	4.50	2.00	3.07	3.89	3.00	18	11.00	8.50	9.57	10.39	9.50	
4	4.00	1.50	2.57	3.39	2.50	16	10.00	7.50	8.57	9.39	8.50	
Number of Contacts	DIM A	DIM B	DIM C	DIM D	DIM E	Number of Contacts	DIM A	DIM B	DIM C	DIM D	DIM E	

NOTE:  
 1. MATERIAL:  
 HOUSING: LCP COLOR: NATURAL.  
 CONTACTS: COPPER ALLOY.  
 PEG: COPPER ALLOY.  
 ACTUATOR: LCP OR PA. COLOR: BLACK  
 2. RATING:  
 OPERATING VOLTAGE: 50Vrms AC.  
 CURRENT RATING: 0.5A.  
 OPERATING TEMPERATURE: -55°C~+85°C.  
 OPERATING HUMIDITY RANGE: RELATIVE HUMIDITY 90% MAX.(NO CONDENSATION)  
 STORAGE TEMPERATURE RANGE: -10°C~+50°C.  
 STORAGE HUMIDITY RANGE: RELATIVE HUMIDITY 90% MAX.(NO CONDENSATION)

2	端子	铜	点镀金	
1	底座	LCP	本色	
序号	品名	材质	电镀/颜色	备注


**深圳市虹成电子有限公司**  
 品名 TITLE: FPC座  
 料号 PART NO: HC-FPC-0.5-40P-FHH10  
 GENERAL TOLERANCES (UNLESS SPECIFIED): 比列 SCALE: 1:1  
 X.X : ±0.30 X.X' : ±5'  
 X.XX : ±0.20 X.XX' : ±2'  
 单位 UNIT: MM  
 张数 PART NO: 1 OF 1  
 版本 REV: A  
 制图 DRAW: AhYe  
 审核 CHECKED: 夏操云  
 批准 APPROVE: 赵亮亮

