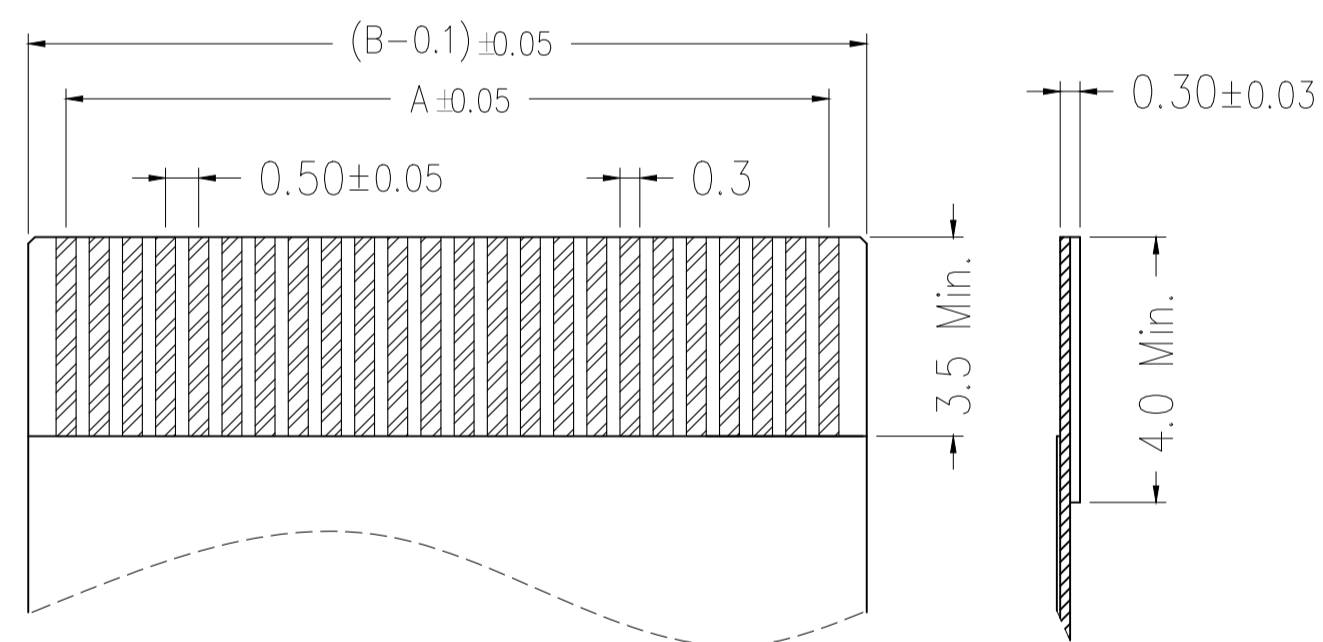
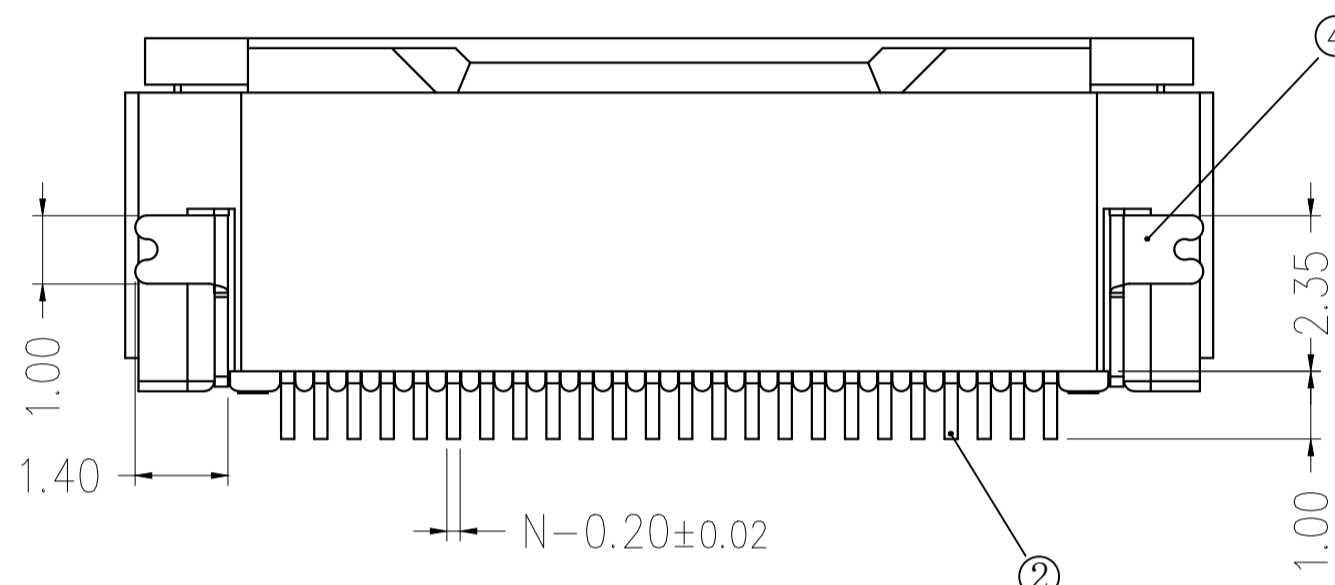
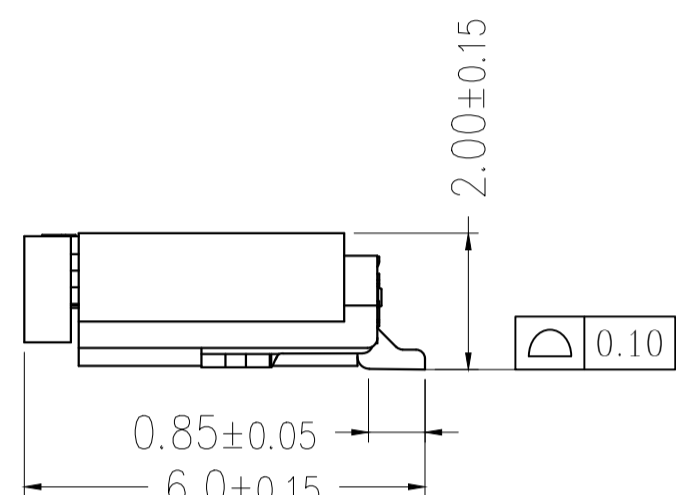
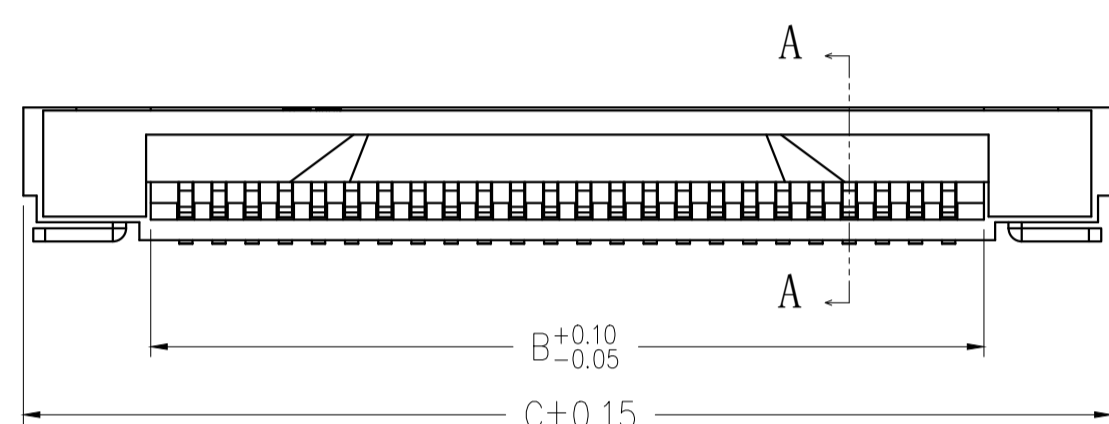
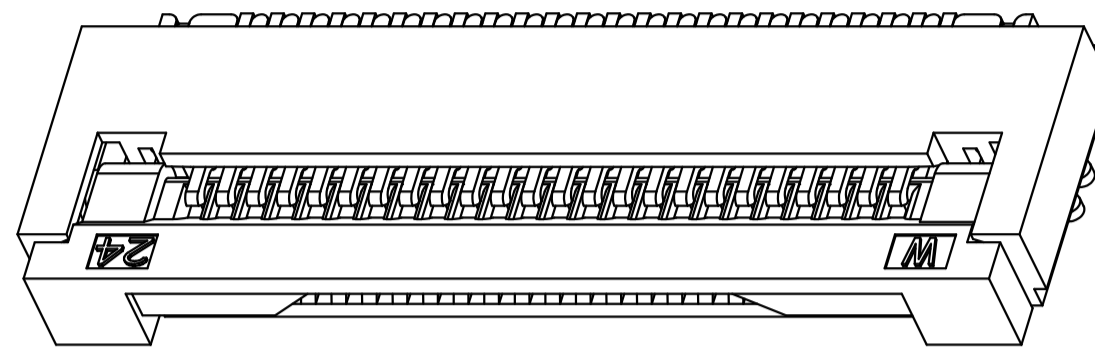
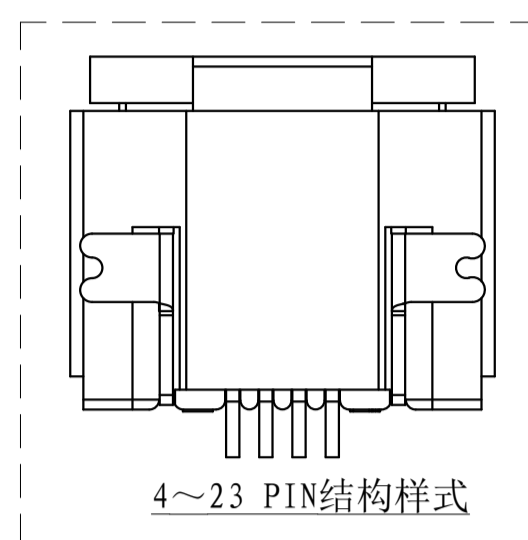
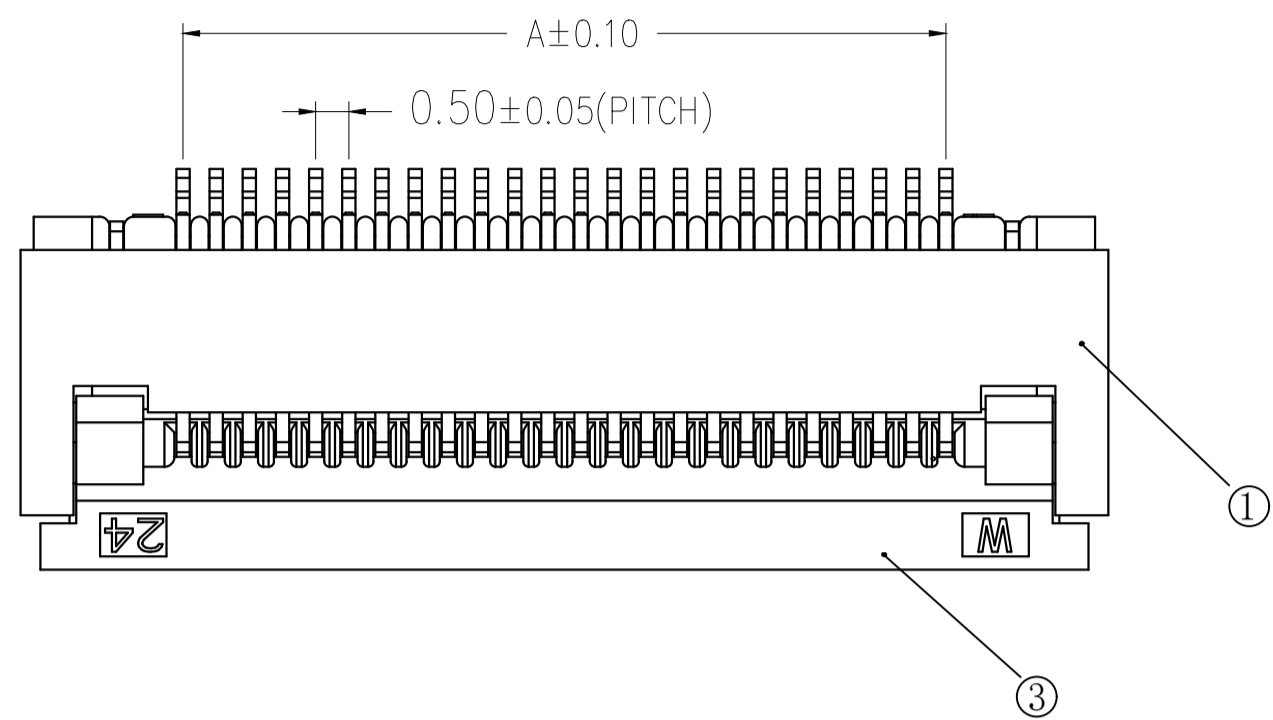
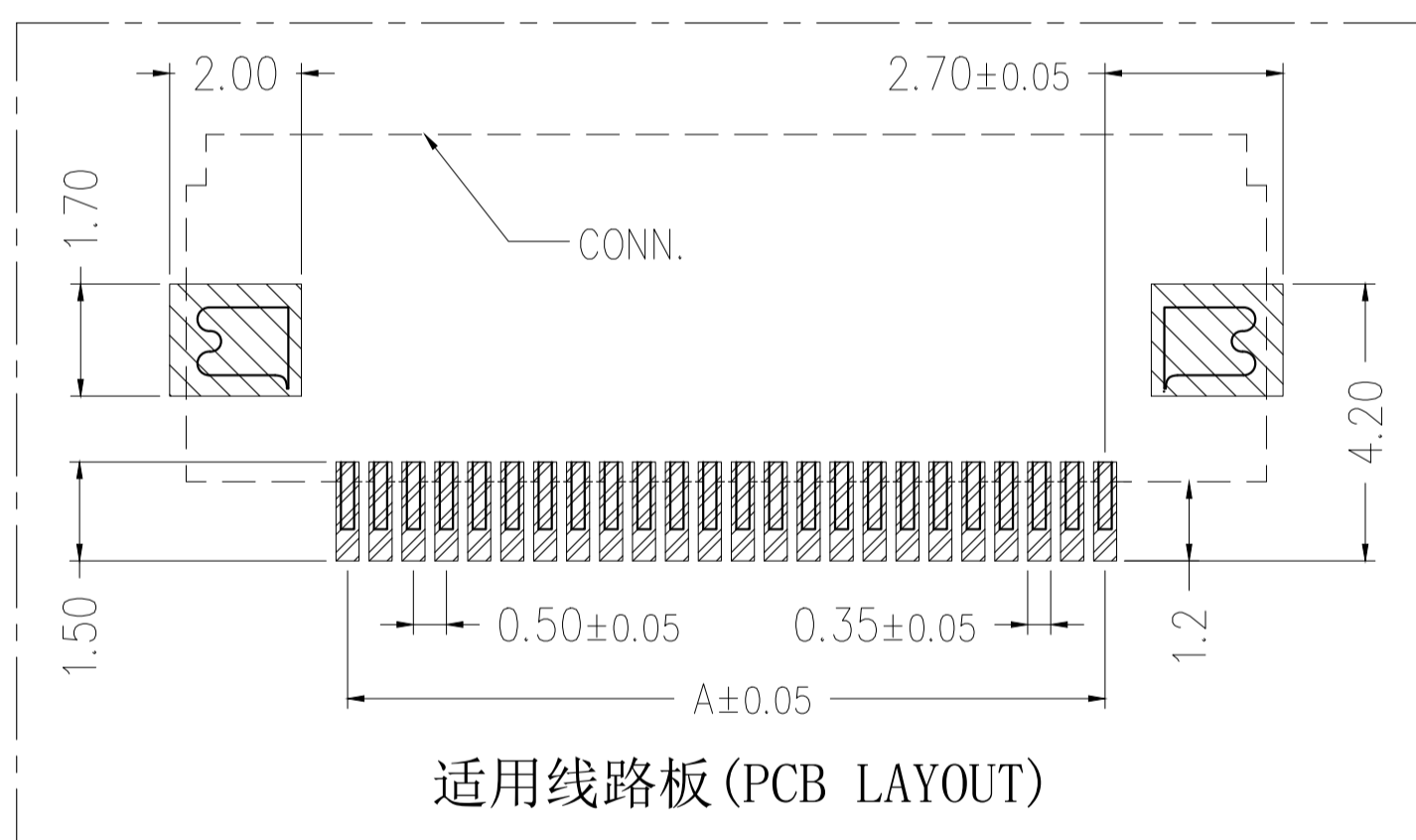


标记 MARK	ECN编号/变更内容 ECN NO/DEFINITION	修改 REVISE	日期 DATE	核准 APPROVE
------------	---------------------------------	--------------	------------	---------------

CKI	DIM A	DIM B	DIM C	CKI	DIM A	DIM B	DIM C
4	1.50	2.56	6.40	33	16.00	17.06	20.90
5	2.00	3.06	6.90	34	16.50	17.56	21.40
6	2.50	3.56	7.40	35	17.00	18.06	21.90
7	3.00	4.06	7.90	36	17.50	18.56	22.40
8	3.50	4.56	8.40	37	18.00	19.06	22.90
9	4.00	5.06	8.90	38	18.50	19.56	23.40
10	4.50	5.56	9.40	39	19.00	20.06	23.90
11	5.00	6.06	9.90	40	19.50	20.56	24.40
12	5.50	6.56	10.40	41	20.00	21.06	24.90
13	6.00	7.06	10.90	42	20.50	21.56	25.40
14	6.50	7.56	11.40	43	21.00	22.06	25.90
15	7.00	8.06	11.90	44	21.50	22.56	26.40
16	7.50	8.56	12.40	45	22.00	23.06	26.90
17	8.00	9.06	12.90	46	22.50	23.56	27.40
18	8.50	9.56	13.40	47	23.00	24.06	27.90
19	9.00	10.06	13.90	48	23.50	24.56	28.40
20	9.50	10.56	14.40	49	24.00	25.06	28.90
21	10.00	11.06	14.90	50	24.50	25.56	29.40
22	10.50	11.56	15.40	51	25.00	26.06	29.90
23	11.00	12.06	15.90	52	25.50	26.56	30.40
24	11.50	12.56	16.40	53	26.00	27.06	30.90
25	12.00	13.06	16.90	54	26.50	27.56	31.40
26	12.50	13.56	17.40	55	27.00	28.06	31.90
27	13.00	14.06	17.90	56	27.50	28.56	32.40
28	13.50	14.56	18.40	57	28.00	29.06	32.90
29	14.00	15.06	18.90	58	28.50	29.56	33.40
30	14.50	15.56	19.40	59	29.00	30.06	33.90
31	15.00	16.06	19.90	60	29.50	30.56	34.40
32	15.50	16.56	20.40	61	30.00	31.06	34.90



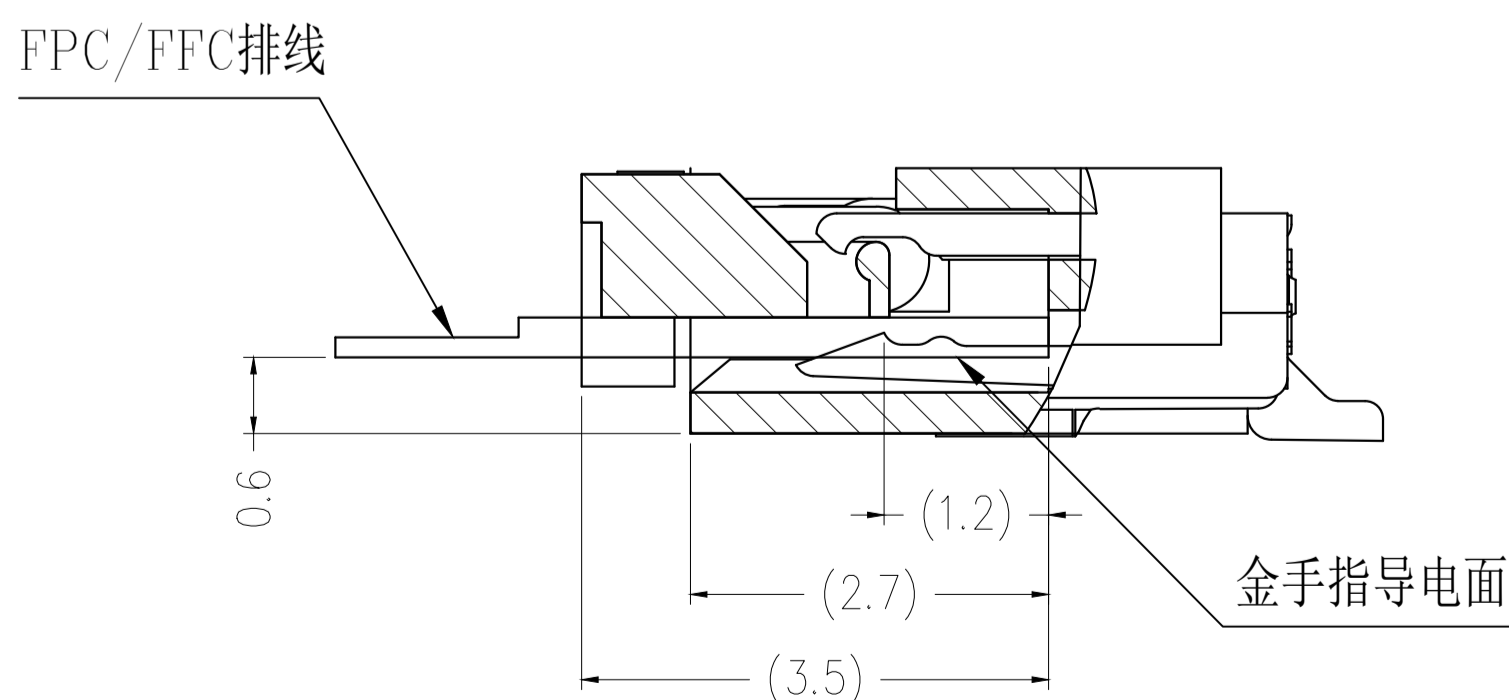
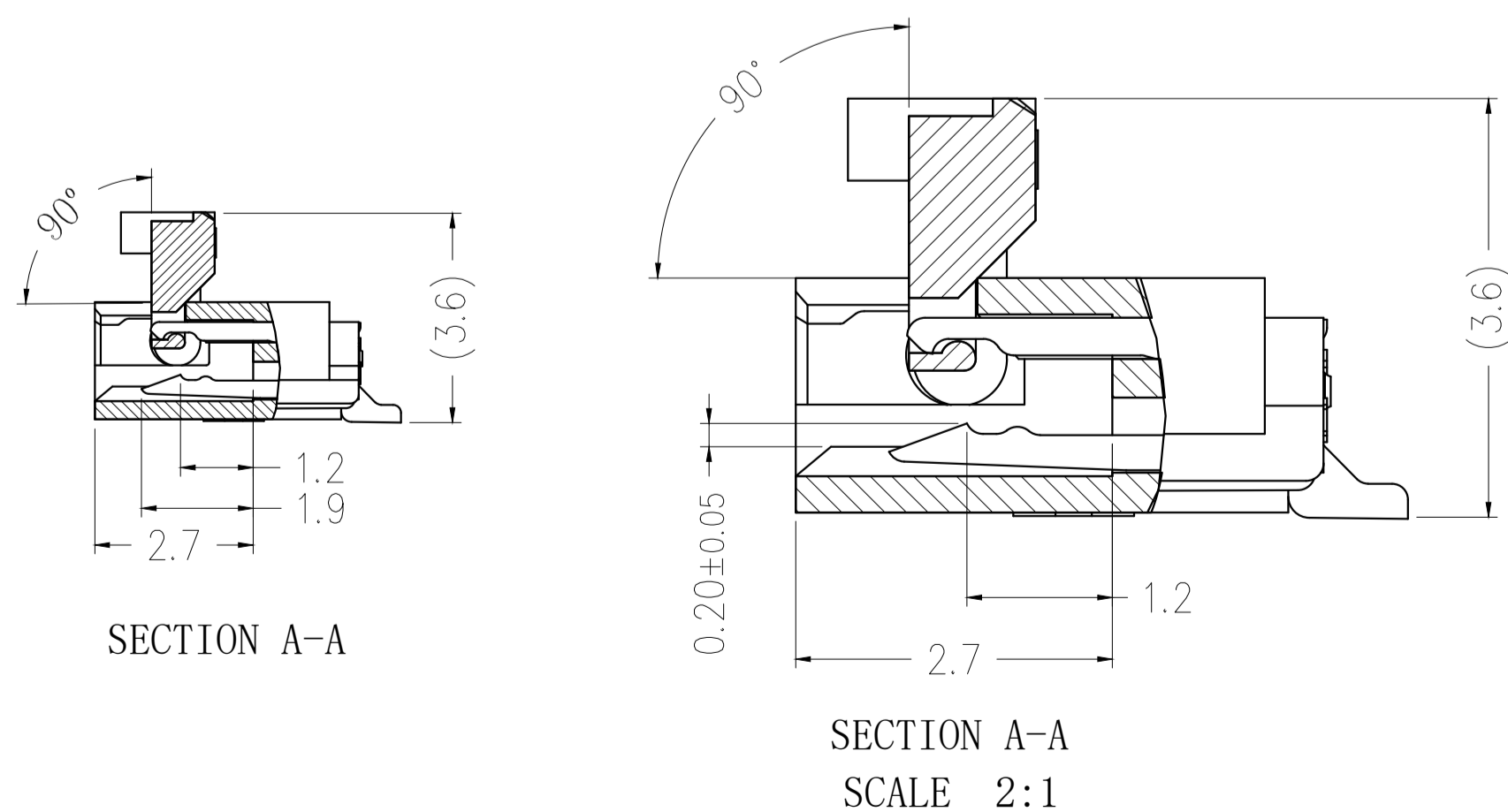
适用扁平线 (Applicable Flat Cable)




适用线路板 (PCB LAYOUT)

技术指标 (Technical Index):

1. 塑件表面应光洁、无毛边、无明显收缩、缺陷、裂纹等现象。(The surface of the plastic parts should be smooth, no rough edges, no obvious shrinkage, defects, cracks and other phenomena.)
2. 温度范围 (Temperature range): -25° C ~ +85° C.
3. 额定电压 (Rated voltage): 50V, AC/DC (=等效).
4. 接触电阻 (Contact resistance): ≤ 0.03Ω.
5. 绝缘电阻 (Insulation resistance): ≥ 500MΩ.



2	端子	铜	镀锡	
1	胶芯	LCP	黑色	
序号	品名	材质	电镀/颜色	备注

 深圳市虹成电子有限公司

品名 TITLE: FPC座
料号 PART NO: HC-FPC-0.5-5P-FH20

GENERAL TOLERANCES (UNLESS SPECIFIED):
X. ±.50 .XX ±.10
.X ±.20 .XXX ±.05
ANGLES ±1°

比列 SCALE: 1:1
单位 UNIT: MM
张数 PART NO: 1 OF 1
版本 REV: A

制图 DRAW: AhYe
审核 CHECKED: 夏操云
批准 APPROVE: 赵亮亮

