

This document is the property of Amphenol Corporation and is delivered on the express condition that is not to be disclosed, reproduced or used, in whole or in part, for manufacture or sale by anyone other than Amphenol Corporation without its prior consent, and that no right is granted to disclose or to use any information in this document.

The marking on this product doesn't contain environmental hazardous materials per Material Specification SS-00259 for Sony GP compliant or per directive 2011/65/EU for RoHS compliant.



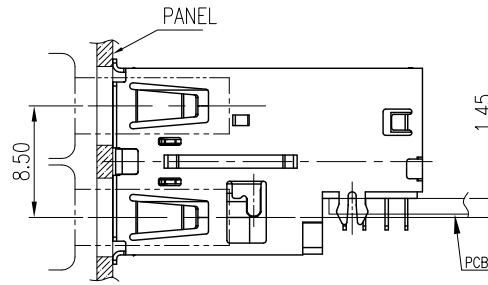
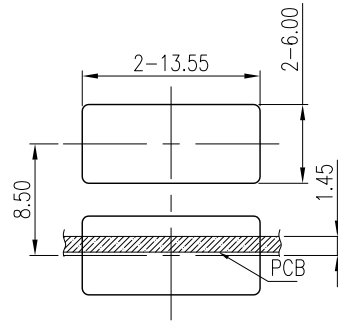
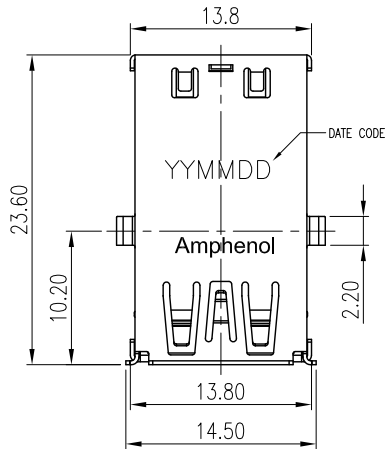
ORIGINAL



REVISIONS				
SYM	ECN No.	DESCRIPTION	DATE	APPROVED
A	NE-14090	RELEASE TO PRODUCTION	05/13/2014	Arron Lin
B	NE-14185	ADDED T&R PACKING	10/17/2014	Arron Lin
C	NE-16082	ADDED RECOMMEND PANEL CUTOUT	04/15/2016	Arron Lin

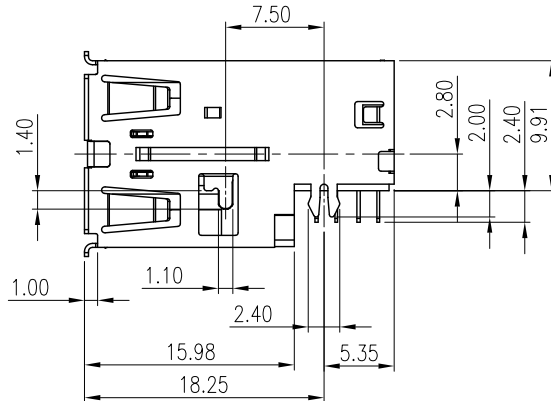
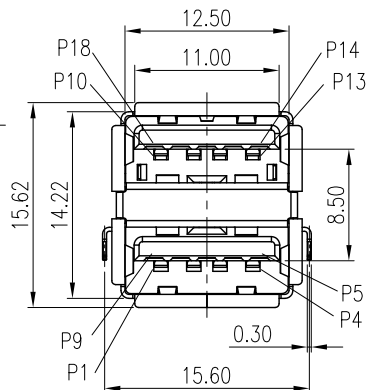
NOTES:

- MATERIAL:
HOUSING: THERMOPLASTIC , OPTIONS, UL94V-0, COLOR: OPTIONS.
USB 3.0 TERMINAL(5~9/14~18PIN): BRASS.
USB 2.0 TERMINAL(1~4/10~13PIN): PHOSPHOR BRONZE,
SHELL:SUS301
ISOLATED: SK7.
REAR SHELL: SK7
- FINISH:
TERMINAL:
CONTACT AREA: SELECTIVE GOLD PLATING ;
SOLDERING AREA: MATTE TIN PLATING 100 μ" THICKNESS MIN.;
UNDER PLATING: NICKEL PLATING 50 μ" THICKNESS MIN. OVERALL.
SHELL:
NICKEL PLATING 50 μ" THICKNESS MIN. OVERALL.
ISOLATED:
NICKEL PLATING 50 μ" THICKNESS MIN. OVERALL.
REAR SHELL:
NICKEL PLATING 50 μ" THICKNESS MIN. OVERALL.
- PACKING IS PER AMTA PACKING SPECIFICATION PKS-0001.
- THIS PRODUCT DOESN'T CONTAIN ENVIRONMENTAL HAZARDOUS PER DIRECTIVE 2011/65/EU FOR RoHS COMPLIANT.
- PRODUCT SPECIFICATION REFER TO : PS-7425.



RECOMMEND PANEL CUTOUT

RECOMMEND MOUNTING CONFIGURATION

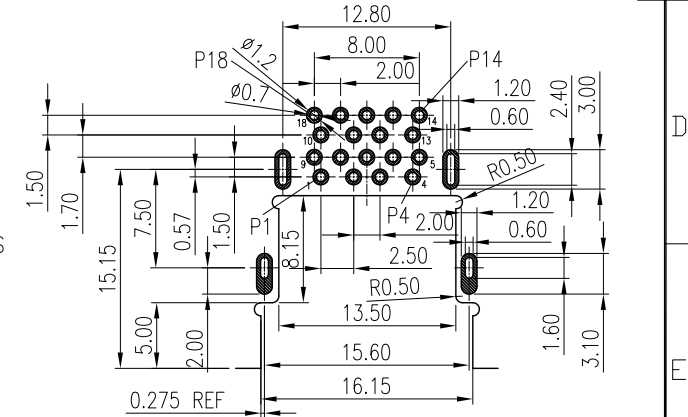


P/N: GSB3115 X X F X HR

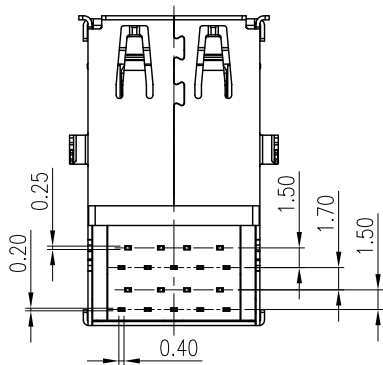
CONTACT FINISH:
1: FLASH GOLD
2: 15u" GOLD
3: 30u" GOLD

PACKING OPTIONS
BLANK: TRAY
R: T&R

INSULATOR
7: PA4T (BLUE)
8: PA4T (BLACK)



RECOMMENDED P.C.B LAYOUT
TOLERANCE: ±0.05(TOP VIEWS)



TOLERANCE	APPROVALS	DATE	TITLE		Amphenol®		
X. X.X ±0.30 X.XX ±0.20 X.XXX ±0.10	DRAWN Debby Hung	04/15/2016	USB 3.0 TYPE A CONN. STACKED PORTS R/A SINK DIP TYPE		Amphenol Corporation Amphenol Taiwan Corporation		
ANGULAR ±1°	CHECKED Roger Tsai	04/15/2016	UNIT mm	SIZE A3	PART No. GSB3115XXFXHR		
UNLESS OTHERWISE SPECIFIED	APPROVED Arron Lin	04/15/2016	SCALE NA	SHEET 1 OF 3	DWG No. GSB3115XXFXHR	REV. C	

This document is the property of Amphenol Corporation and is delivered on the express condition that is not to be disclosed, reproduced or used, in whole or in part, for manufacture or sale by anyone other than Amphenol Corporation without its prior consent, and that no right is granted to disclose or to use any information in this document.

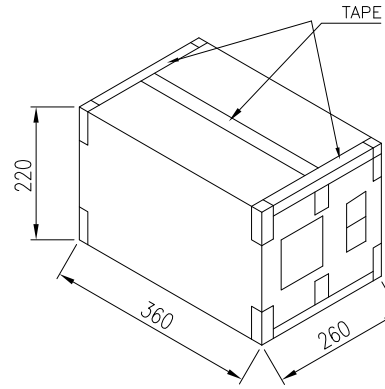
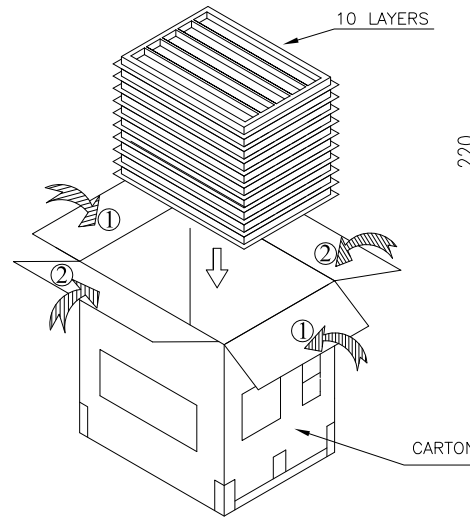
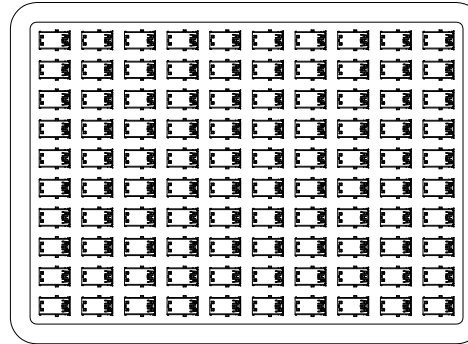
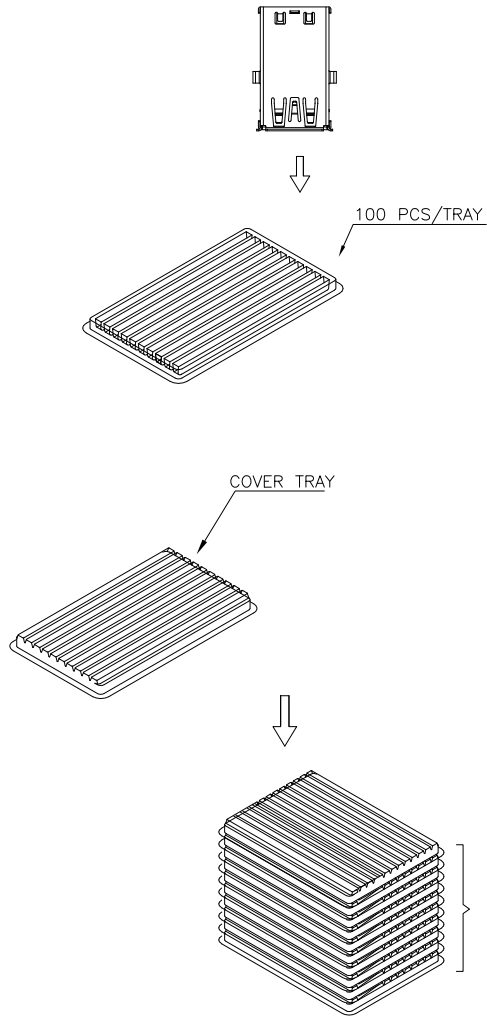
The marking on this product doesn't contain environmental hazardous materials per Material Specification 55-00259 for Sony GP compliant or per directive 2011/65/EU for RoHS compliant.



ORIGINAL

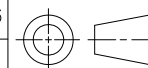


REVISIONS				
SYM	ECN No.	DESCRIPTION	DATE	APPROVED
A	NE-14090	RELEASE TO PRODUCTION	05/13/2014	Arron Lin
B	NE-14185	ADDED T&R PACKING	10/17/2014	Arron Lin
C	NE-16082	ADDED RECOMMEND PANEL CUTOUT	04/15/2016	Arron Lin



PACKAGING BY TRAY	7.58	6.58	100	10	1000	GSB3115XXFHR
	G/W KG	N/W KG	PCS/TRAY	TRAYS/BOX	QUANTITY (PCS)	PART NUMBER

TOLERANCE	APPROVALS	DATE	TITLE		Amphenol®	
X. ±0.30	DRAWN Debby Hung	04/15/2016	USB 3.0 TYPE A CONN. STACKED PORTS R/A SINK DIP TYPE		Amphenol Corporation Amphenol Taiwan Corporation	
X.XX ±0.20	CHECKED Roger Tsai	04/15/2016				
X.XXX ±0.10	APPROVED Arron Lin	04/15/2016				
ANGULAR ±1°	DWG TYPE CUST DWG	PROJECT CODE OTHER	UNIT mm	SIZE A3	PART No. GSB3115XXFHR	
UNLESS OTHERWISE SPECIFIED			SCALE NA	SHEET 2 OF 3	DWG No. GSB3115XXFHR	REV. C



This document is the property of Amphenol Corporation and is delivered on the express condition that is not to be disclosed, reproduced or used, in whole or in part, for manufacture or sale by anyone other than Amphenol Corporation without its prior consent, and that no right is granted to disclose or to use any information in this document.

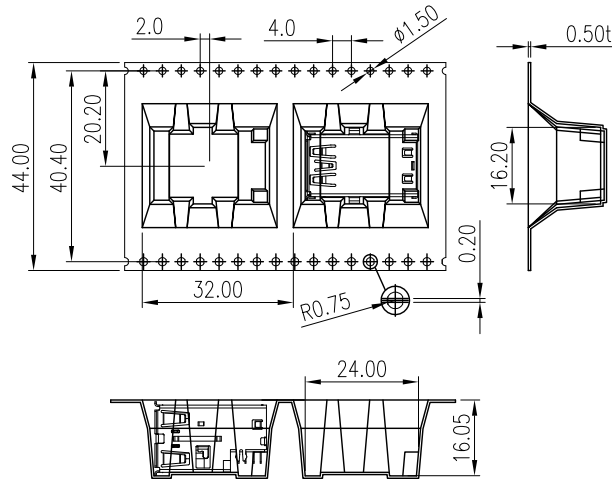
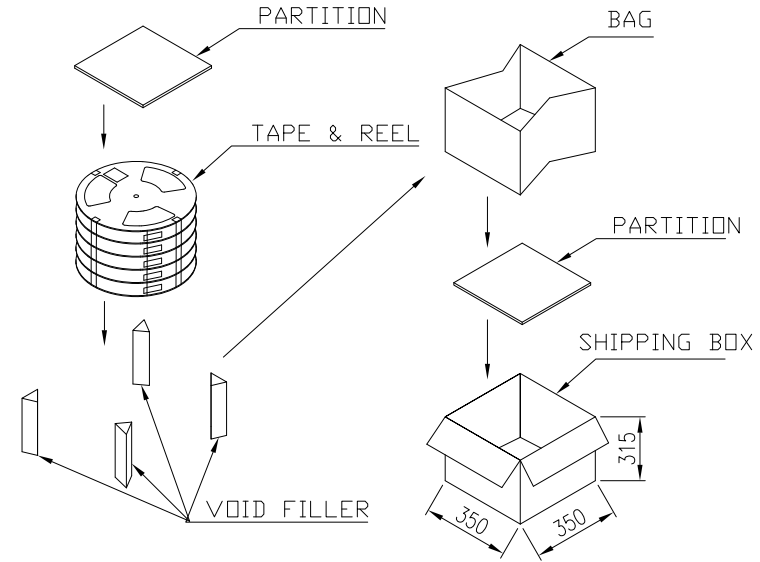
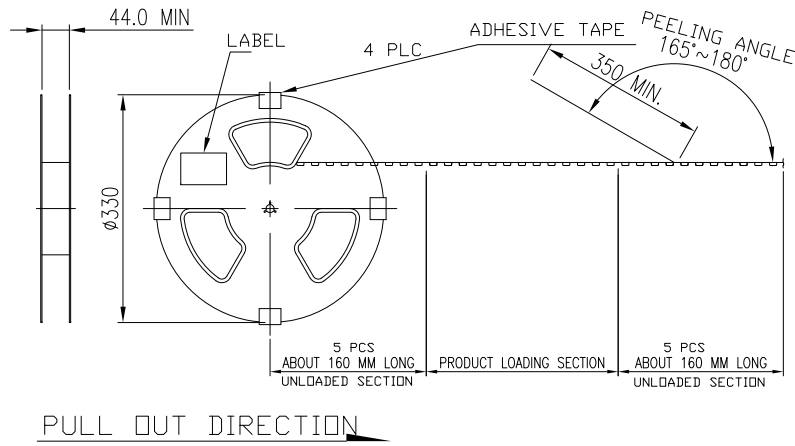
The marking on this product doesn't contain environmental hazardous materials per Material Specification 55-00259 for Sony GP compliant or per directive 2011/65/EU for RoHS compliant.



ORIGINAL



REVISIONS				
SYM	ECN No.	DESCRIPTION	DATE	APPROVED
A	NE-14090	RELEASE TO PRODUCTION	05/13/2014	Arron Lin
B	NE-14185	ADDED T&R PACKING	10/17/2014	Arron Lin
C	NE-16082	ADDED RECOMMEND PANEL CUTOUT	04/15/2016	Arron Lin



- NOTES:
- MATERIAL:
CARRIER TAPE: PS.
COVER TAPE: PET.
REEL: PS.
SHIPPING BOX: CORRUGATED FIBERBOARD.
 - DIMENSION:
REEL: $\phi = 330$.
SHIPPING BOX: L=350, W=350, H=315.
 - QUANTITY: SEE TABLE.
 - SHIPPING BOX WEIGHT: SEE TABLE.
 - PEELING STRENGTH: 0.1~1.3N(10~130 GRAMS)
 - PEELING SPEED: 300mm/min.

PACKAGING BY TAPE&REEL	6.24	4.74	120	6	720	GSB3115XXFRHR
	G/W KG	N/W KG	PCS/ REEL	REELS/ CARTON	QUANTITY (PCS)	PART NUMBER

TOLERANCE	APPROVALS	DATE	TITLE		PART No.	
X. ±0.30	DRAWN Debby Hung	04/15/2016	USB 3.0 TYPE A CONN. STACKED PORTS R/A SINK DIP TYPE		Amphenol® Amphenol Corporation Amphenol Taiwan Corporation	
X.X ±0.20	CHECKED Roger Tsai	04/15/2016				
X.XXX ±0.10	APPROVED Arron Lin	04/15/2016				
ANGULAR ±1°	DWG TYPE CUST DWG	PROJECT CODE OTHER				
UNLESS OTHERWISE SPECIFIED			SCALE NA	SHEET 3 OF 3	DWG No. GSB3115XXFXHR REV. C	