

SPECIFICATION FOR APPROVAL

规格书

Customer (客户名称):

Customer P/N(客户编号):

Our P/N (本厂编号):

FS35ZS0450-H13.8-R01

Approval Date(日期):

2023.05.27

Environment Request(环境标准):

Non-RoHS (非 RoHS 标准)

RoHS (RoHS 标准)

REACH (REACH 标准)

Others (其他)

CUSTOMER'S APPROVED SIGNATURE

--	--	--



福声科技
FUSHENG TECHNOLOGY

泰州福声电子科技有限公司

Taizhou Fusheng Electronic Technology Co.,Ltd.

Adds: No.98 of FengHuang Road West,Hailing District ,Taizhou .

地址: 江苏省泰州市海陵区凤凰西路98号

Tel: +86-523-86219066

Fax: +86-523- 81601108

[Http://www.tzfsdz.com](http://www.tzfsdz.com)

E-mail: fs.wu@electronic-tech.cn

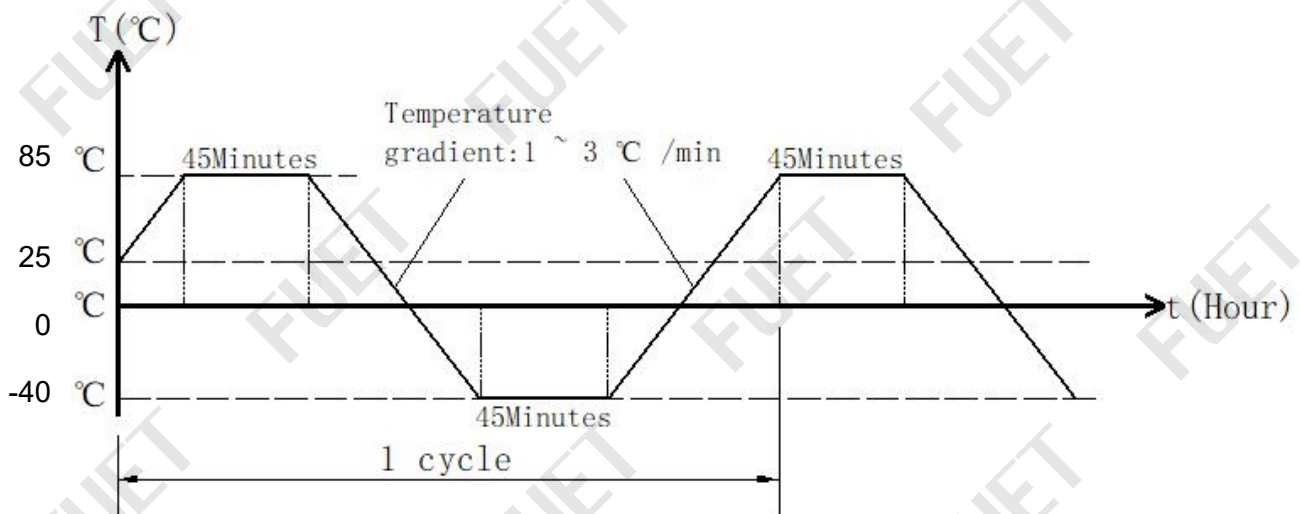
	DESINGER	CHECKED	APPROVED
SIGNATURE			
DATE			

Speaker Specification

Part No.	Customer No 客户型号		Customer code 客户编号	
	Our Part No 本厂编号	FS35ZS0450-H13.8-R01		Revision 版本 A
No.	Item 项目	Specification 规格	Testing Condition 测试条件	
1.	Rated Imp 共称阻抗	4ohm±15%	DCR	
2.	Vibration point Freq 振动频率	120Hz±20%	Without Baffle	
3.	Output S.P.L. 出力音压	/ ±3dB		
4.	Rated Power 定格入力	at 5.0W	at 4.48 Vrms	
5.	Max Power 最大入力	at 6.0W	at 4.9 Vrms	
6.	Frequency Range 实效频宽	/		
7.	Operation 可靠性试验	Must Be Normal at Rated Frequency Range	Program Source 5.0 W 20~10kHz	
8.	Buzzes & Rattles 异常音试验	Should not be audible buzz and rattle at Rated Frequency Range 无异常声	Sine Wave Between (正弦波入力) at 4.48Vrms / 20~5.5kHz	
9.	T H D 失真	10% Max	Rated Power Input 1000Hz	
10.	Magnet 磁铁	NdFeB		
11.	Operating Temperature 动作温度	-30°C to +65°C		
12.	Storage Temperature 储存温度	-40°C to +85°C		
13.	Weight 重量	27.8±1.0g/PC		

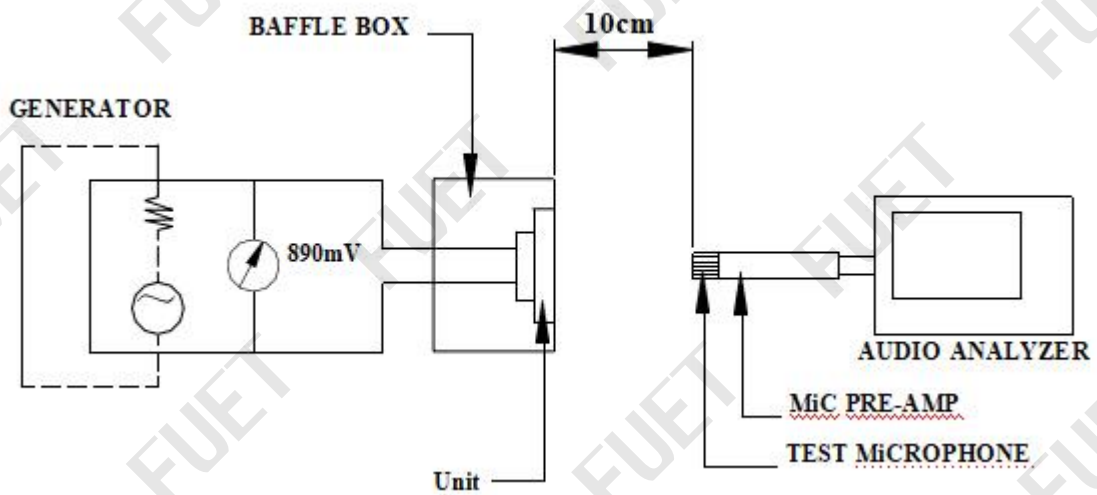
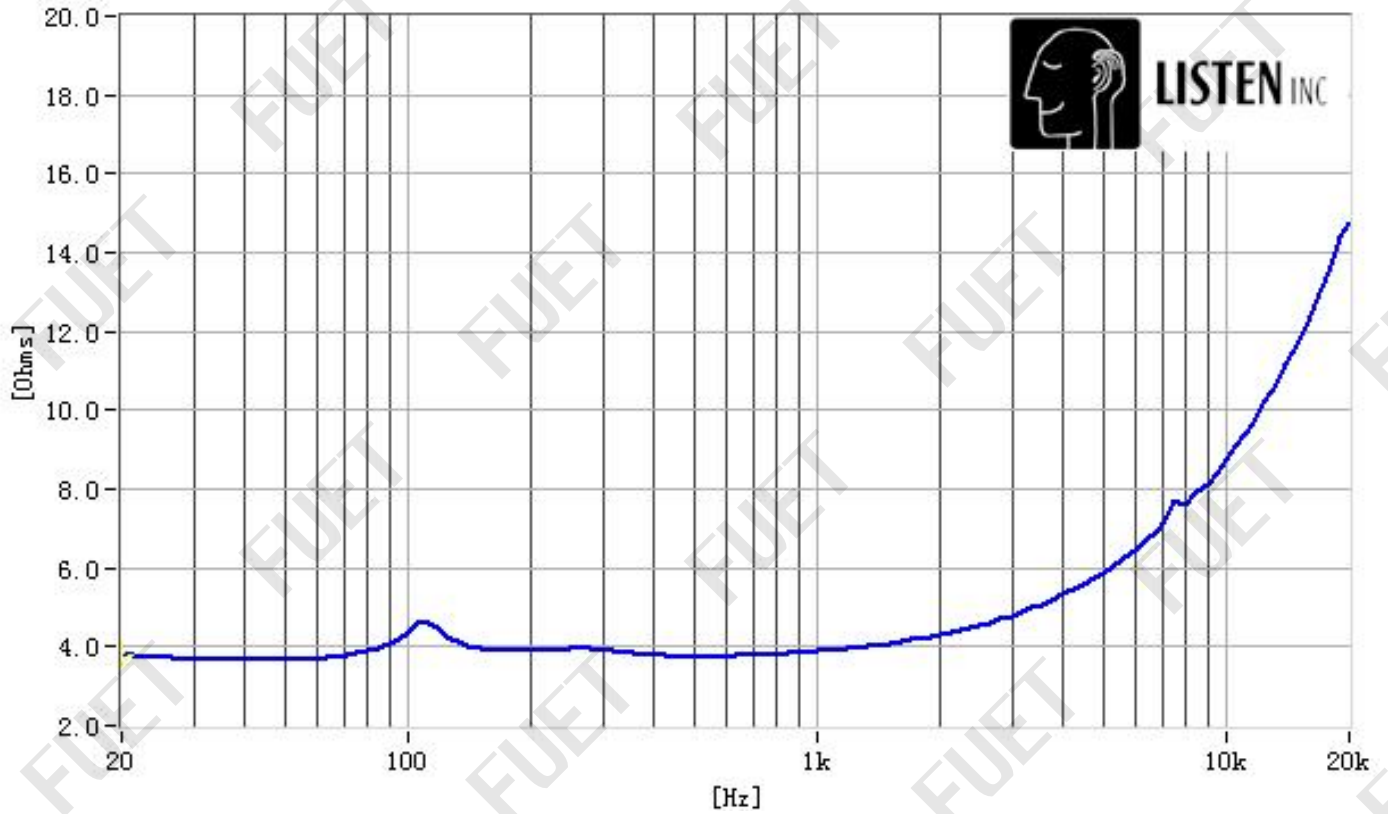
14.	Cold Test 耐寒试验	Must be normal after having been in a test chamber for 96 hours at the condition of $-40^{\circ}\text{C}\pm 2^{\circ}\text{C}$ and then left 2 hours in a room. ($-40^{\circ}\text{C}\pm 2^{\circ}\text{C}$, 96 小时试验室温两小时后, 无异常)
15.	Heat Test 耐热试验	Must be normal after having been in a test chamber for 96 hours at the condition of $+85^{\circ}\text{C}\pm 2^{\circ}\text{C}$ 90~95% R.H and then left 2 hours in a room. ($+85^{\circ}\text{C}\pm 2^{\circ}\text{C}$ 90~95% R.H 96 小时试验, 常温 2 小时后, 无异常的不良)
16.	Load Test 连续负荷试验	Must be normal after load test :white noise 5.0W 96 hours. At rated frequency range (白噪音 5.0W 连续 96 小时试验后无异常的不良)
17	Short Term Max Power test 瞬間最大功率试验	Test for 1 hour under maximum power. Input shall be white noise in rated frequency response. And the signal will be 1 second on, 59 seconds off, total 60 cycles at rated frequency range, Must be normal after the test (白噪音 6.0W, 1 秒开 59 秒关, 连续 60 回合, 试验后无异常之不良)
18.	High temperature load test 高温负荷试验	Must be normal after load test :white noise 5.0W 48 hours at the condition of $+65^{\circ}\text{C}\pm 2^{\circ}\text{C}$ At rated frequency range (白噪音 5.0W 连续 48 小时在 $+50^{\circ}\text{C}\pm 5$, 试验后无异常的不良)

Temperature Cycle Test(5 cycle)

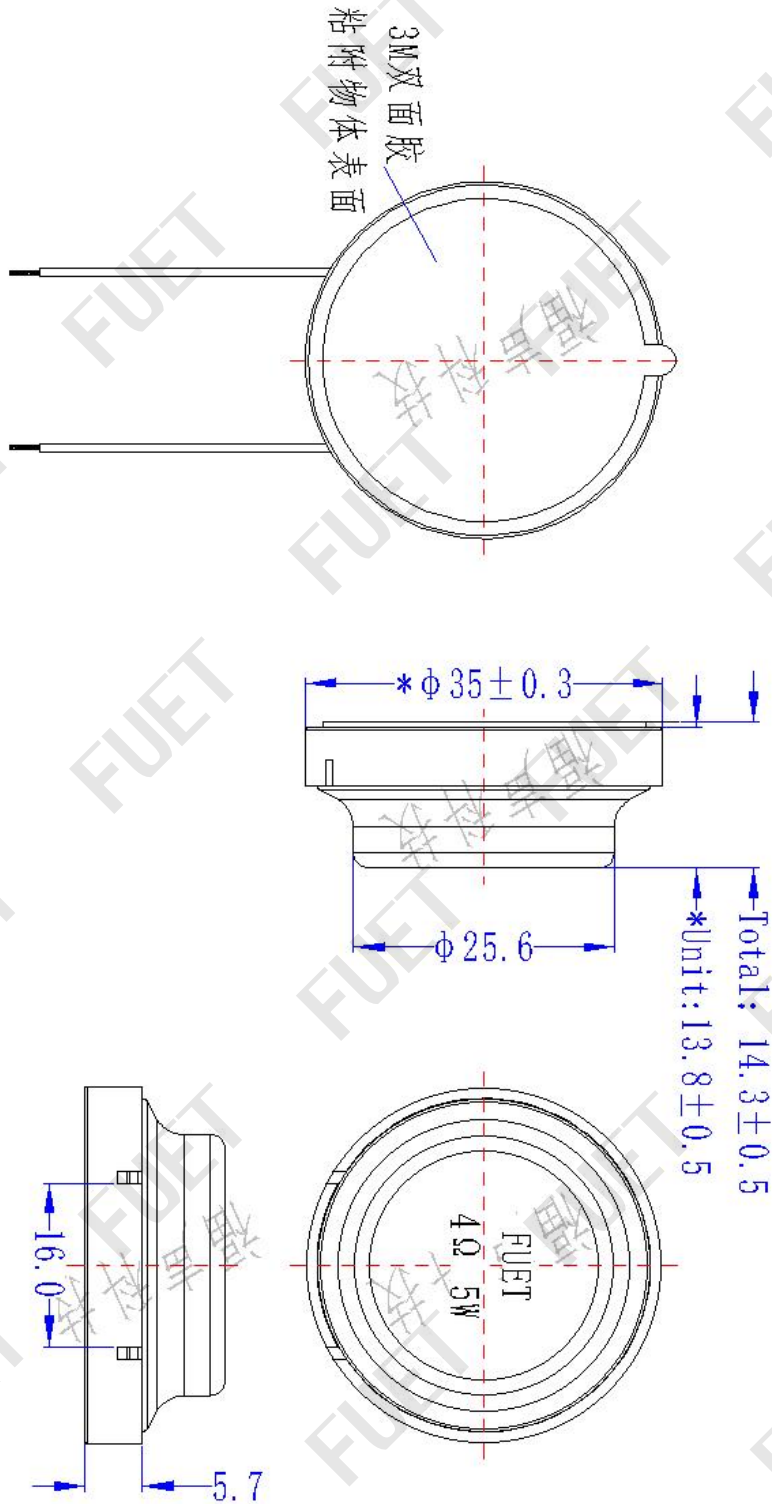


Frequency Response

阻抗曲线



Product Outside View



- 注: 1. 标示“*”为重点检测尺寸;
 2. 未有说明, 则默认图示LOGO;
 3. 未注公差: $\pm 0.3\text{mm}$

泰州福声电子科技有限公司



Title: FS35ZS0450-H13.8-R01

REV	REVISION	NAME	DATE	SCALE	1:1	QUANTITY	1	DRAW	CHECK	DATE	APPROVE