

浙江创都电子科技有限公司

ZHE JIANG CHUANG DU ELECTRONICS CO., LTD

APPROVAL SHEET

CUSTOMER: _____

CUSTOMER P/N: _____

(小批可用管装) (批货推荐卷装)

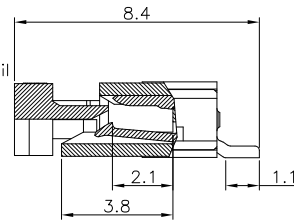
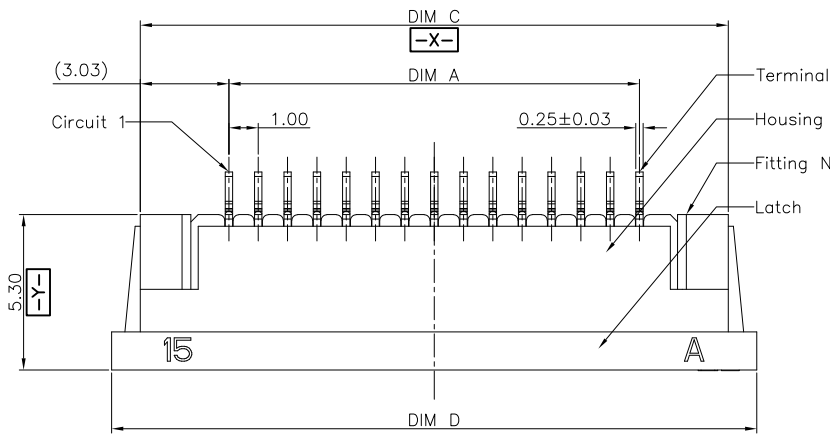
PART NAME: _____

1.0mmPitch H=2.5mm SMT 拉拔K型 下接

PART NO. : _____

CAX-AFA07-12XCB-H2.5

MANUFACTURE SIGNATURE			CUSTOMER SIGNATURE
SALES REP.	R&D DEPT.	QA DEPT	
DATE:	DATE:	DATE:	DAET:



SECTION A-A
SCALE 1:1

Note:

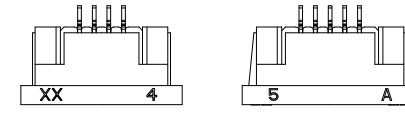
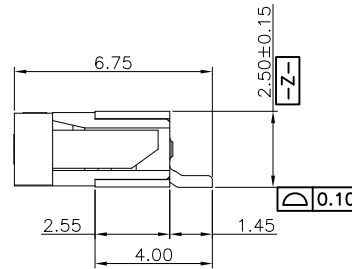
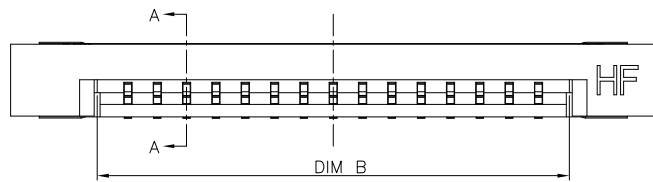
- Material:
 - Housing: thermoplastic high temp.UL94V-0;
 - Latch: thermoplastic high temp.UL94V-0;
 - Terminal: copper alloy.
 - Fitting Nail: copper alloy.
- Finish:
 - Terminal:
Underplating: Au/matte Tin overall.
 - Fitting Nail:
Underplating: matte Tin overall.
- Product must comply HF RoHS specification.
- Product No:

AFA07-S ** F * * - **
 CKTS _____
 CONTACTS TYPE _____
 F:Lower
 PLATING _____
 1:Gold flash 1u"
 2:Gold flash 2u"
 3:Gold flash 3u"
 C:Matte-Tin 80-150u"

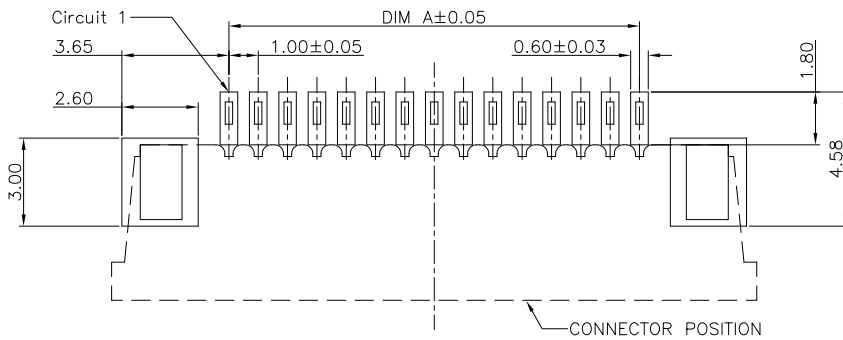
REMARKS
 HF:Halogen free
 Housing White,Latch Black
 OZ:Halogen free(Without ZY)
 Housing White,Latch Black
 3F:Halogen free(Without ZY)
 Housing White,Latch White

PACKING
 A:Tape&Reel
 C:Tube

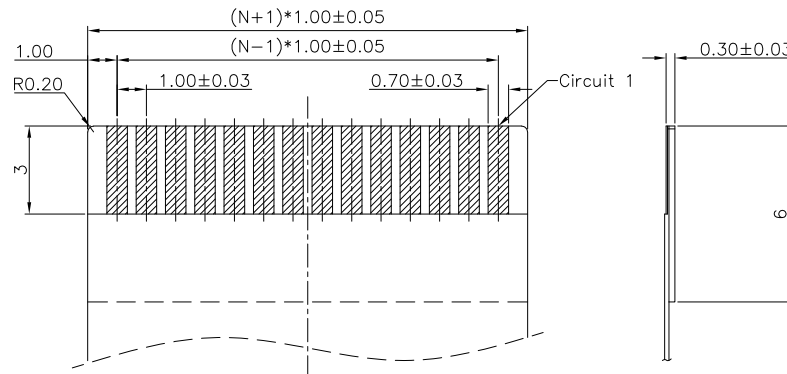
CKTS	DIM A	DIM B	DIM C	DIM D
4	3.00	5.10	9.05	11.00
5	4.00	6.10	10.05	12.00
6	5.00	7.10	11.05	13.00
7	6.00	8.10	12.05	14.00
8	7.00	9.10	13.05	15.00
9	8.00	10.10	14.05	16.00
10	9.00	11.10	15.05	17.00
11	10.00	12.10	16.05	18.00
12	11.00	13.10	17.05	19.00
13	12.00	14.10	18.05	20.00
14	13.00	15.10	19.05	21.00
15	14.00	16.10	20.05	22.00
16	15.00	17.10	21.05	23.00
17	16.00	18.10	22.05	24.00
18	17.00	19.10	23.05	25.00
19	18.00	20.10	24.05	26.00
20	19.00	21.10	25.05	27.00
21	20.00	22.10	26.05	28.00
22	21.00	23.10	27.05	29.00
23	22.00	24.10	28.05	30.00
24	23.00	25.10	29.05	31.00
25	24.00	26.10	30.05	32.00
26	25.00	27.10	31.05	33.00
27	26.00	28.10	32.05	34.00
28	27.00	29.10	33.05	35.00
29	28.00	30.10	34.05	36.00
30	29.00	31.10	35.05	37.00



Product Appearance Description



RECOMMENDED P.C.B. PATTERN LAYOUT



RECOMMENDED FPC/FFC DIMENSION

CUSTOMER DRAWING	
Tolerance Unspecified (未注公差)	Size(图幅): A4
0.0 ±0.25 0° ±5°	Unit(单位): MM
0.00 ±0.15 0°0 ±3°	Scale(比例): 1:1
0.000 ±0.10 0°00 ±1°	Project View (投影视图)
	Page(页数): 1 OF 1
	Rev(版本): A

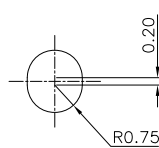
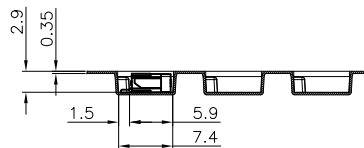
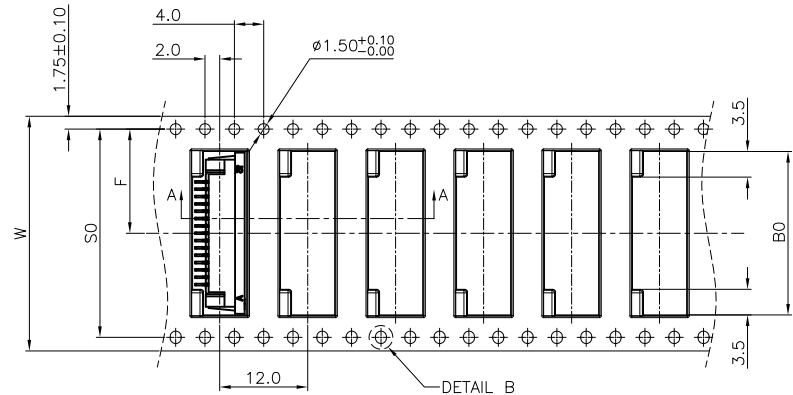
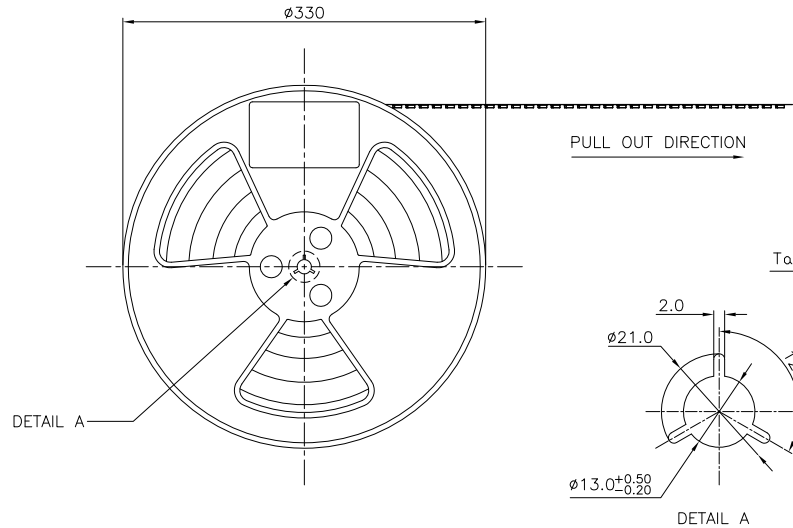
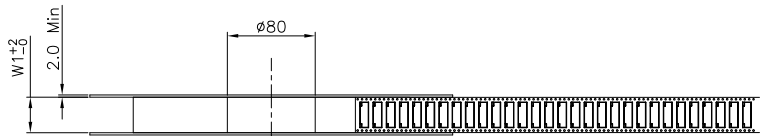
浙江创都电子科技有限公司
ZHE JIANG CHUANG DU ELECTRONICS CO., LTD

Product Name(产品名称):
 1.0Pitch H=2.5 FPC/FFC ZIF R/A TypeK1 Lower SMT CONN

Product No(产品料号):
CAX-AFA07-12XCB-H2.5

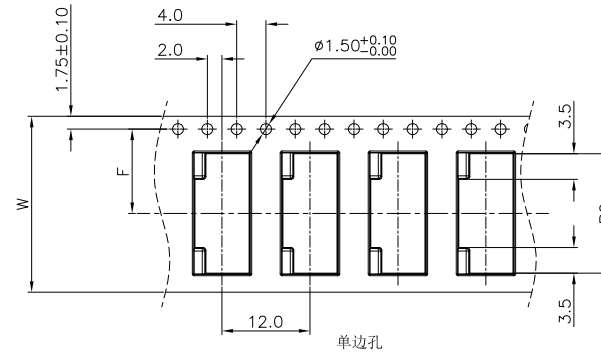
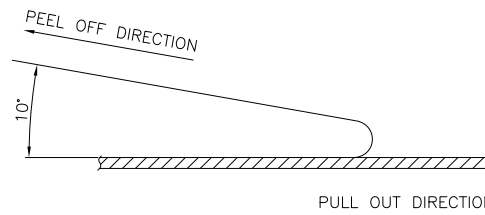
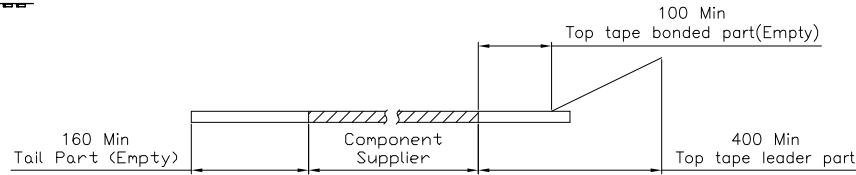
Rev 版本	Change Description 变更内容	Date 日期	Revisor 制修订人
A	初版发行	2011/03/23	

Designer(设计): _____
 Checked(审核): _____
 Approved(核准): _____



NOTES:

1. 10 SPROCKET HOLE PITCH CUMULATIVE TOLERANCE.±0.20mm
2. CARRIER CAMBER NOT TO EXCEED 1mm IN 250mm.
3. ALL DIMENSIONS MEET EIA-481-C REQUIREMENTS.
4. MATERIAL: BLACK ANTI-STATIC POLYSTYRENE.
5. THICKNESS: 0.35 ± 0.05 mm.
6. PACKING LENGTH PER 13" REEL : 18.60METERS.
7. COMPONENT LOAD PER 13" REEL : 1500PCS
8. PEELING OFF FORCE OF TOP TAPE 0.1N~0.7N(10.2gf~71.4gf).



CKTS	B0±0.10	W	W1	F	S0±0.10
4	11.30	24+0.3/-0	24.4	11.5±0.10	单边孔
5	12.30				
6	13.30				
7	14.30				
8	15.30				
9	16.30	32±0.30	32.4	14.2±0.10	28.4
10	17.30				
11	18.30				
12	19.30				
13	20.30				
14	21.30	44±0.30	44.4	20.2±0.15	40.4
15	22.30				
16	23.30				
17	24.30				
18	25.30				
19	26.30				
20	27.30				
21	28.30				
22	29.30				
23	30.30				
24	31.30	56±0.30	56.4	26.2±0.15	52.4
25	32.30				
26	33.30				
27	34.30				
28	35.30				
29	36.30				
30	37.30				

CLASSIFICATION DIMENSION (尺寸类别):
 FAT (首次检验): ⊙To ⊙
 ■ MARK IS MAJOR DIM (重点尺寸标示)
 *⊙ MARK IS CRITICAL DIM (Cpk&Cp标示)

Tolerance Unspecified (未注公差)	Size (图幅): A4
0.0 ±0.10 0° ±3°	Unit (单位): MM
0.00 ±0.05 0° 0 ±2°	Scale (比例): 1:1
0.000 ±0.02 0° 00 ±1°	Page (页数): 10 OF 10
Project View (投影视角)	Rev (版本): 1.0

浙江创都电子科技有限公司
ZHEJIANG CHUANG DU ELECTRONICS CO., LTD

Product Name (产品名称): 1.0Pitch H=2.5 FPC/FPC 拉拔卧式K型 载带		
Product No (产品料号): EB-740XXX290-00		
Drawing No (图面编号): DNE00015-1	Date (日期): 2011/04/09	
Designer (设计):	Checked (审核):	Approved (核准):

1.0	初版发行	2011/04/09	
Rev 版本	Change Description 变更内容	Date 日期	Revisor 制/修订人



浙江创都电子科技有限公司

ZHE JIANG CHUANG DU ELECTRONICS CO., LTD

REV. A

产 品 规 格 书 PRODUCT SPECIFICATION

【1】适用范围 SCOPE

本规格书适用于 1.0mm Pitch H=2.5 FPC/FFC 拉拔卧式 K 型 SMT 型连接器系列。

This specification covers the 1.0mm Pitch H=2.5 FPC/FFC ZIF R/A TypeK SMT Connectors series.

【2】外观尺寸 CONNECTOR DIMENSIONS

请参照图面

See attached drawings.

【3】材质 MATERIAL

绝缘胶体 Housing: LCP

颜色 Color: 自然色 Natural.

耐燃等级 (UL94V-0) Flammability Rating (UL94V-0).

后盖 Latch: LCP

颜色 Color: 黑色 Black.

耐燃等级 (UL94V-0) Flammability Rating (UL94V-0).

端子 Terminal: 磷青铜 Phosphor Bronze.

焊片 Fitting Nail: 磷青铜 Phosphor Bronze.

【4】建议 P. C. B LAYOUT 图 ACCOMMODATED P. C. B LAYOUT

请参照图面

See attached drawings.

【5】等级 RATING

项 目 ITEM	规 格 SPECIFICATIONS
最大容许电压 Operating Voltage (Max.)	50V AC
最大容许电流 Current Rating (Max.)	0.5A DC
使用温度范围 Operating Temperature range	*-55° C ~ +85° C
使用湿度范围 Operating humidity range	相对湿度90%以下 Relative humidity 90% max.
保存温度范围 Storage temperature range	-40° C ~ +50° C
保存湿度范围 Storage humidity range	相对湿度90%以下 Relative humidity 90% max.

浙江创都电子科技有限公司

ZHE JIANG CHUANG DU ELECTRONICS CO., LTD

REV. A

*:包含电流通过所产生的上升温度 Including terminal temperature rise.

【6】性能 PERFORMANCE

6.1 电气特性 ELECTRICAL PERFORMANCE

项目 ITEM	测试条件 TEST CONDITION	规格 REQUIRMENT
接触阻抗 Contact Resistance	将样品与适合之FPC/FFC连接, 测试电压20mV, 限电流100mA下进行阻抗测试。(EIA-364-23) Mate applicable FPC/FFC and measure by dry circuit, 20mV Max, 100mA. (EIA-364-23)	40 mΩ最大. 40 mΩ Max.
绝缘阻抗 Insulation Resistance	将样品与适合之FPC/FFC连接, 提供相邻端子间测试电压500V DC进行绝缘阻抗测试(EIA-364-21) Mate applicable FPC/FFC and apply 500V DC between adjacent terminal or ground. (EIA-364-21)	500 MΩ最小. 500 MΩ Min.
耐电压 Dielectric Strength	将样品与适合之FPC/FFC连接, 相邻端子间需可承受250V AC(rms) 1分钟。(EIA-364-20) Mate applicable FPC/FFC , apply 250V AC(rms) for 1 minute between adjacent terminal or ground. (EIA-364-20)	目视外观无任何损坏异状 No Breakdown

6.2 机械特性 MECHANICAL PERFORMANCE

项目 ITEM	测试条件 TEST CONDITION	规格 REQUIRMENT
FPC保持力 FPC Retention Force	将盖子盖上, 与FPC/FFC连接, 以操作速度每分钟位移 25 ± 3 mm进行FPC/FFC保持力测试。(EIA-364-13) Insert the Latch, pull the FPC at a rate of 25 ± 3 mm per minute. (EIA-364-13)	Pos. x 0.40N最小 Pos. x 0.40N Min.

浙江创都电子科技有限公司

ZHE JIANG CHUANG DU ELECTRONICS CO., LTD

REV. A

端子保持力 Terminal Retention Force	端子与Housing组装后,以操作速度每分钟位移 25 ± 3 mm将端子拔出Housing,进行端子保持力测试。 (EIA-364-29) Apply axial pull out force at the rate of 25 ± 3 mm/minute on the terminal assembled in the housing. (EIA-364-29)	3.0N最小. 3.0N Min.
项目 ITEM	测试条件 TEST CONDITION	规格 REQUIRMENT
焊片保持力 Fitting Nail Retention Force	焊片与Housing组装后,以操作速度每分钟位移 25 ± 3 mm将焊片拔出Housing,进行焊片保持力测试。 (EIA-364-29) Apply axial pull out force at the rate of 25 ± 3 mm/minute on the Fitting Nail assembled in the housing. (EIA-364-29)	1.0N最小. 1.0N Min

6.3 环境特性及其它性能 ENVIRONMENTAL PERFORMANCE AND OTHERS

项目 ITEM	测试条件 TEST CONDITION	规格 REQUIRMENT	
耐久性 Durability	将盖子与FPC/FFC反复连接,以每分钟小于10 Cycles连续操作20次。 (EIA-364-09) Insert and withdraw actuator up to 20 cycles at the speed rate of less than 10 cycles/minute. (EIA-364-09)	接触阻抗 Contact Resistance	60mΩ最大. 60mΩ Max.
温度上升 Temperature Rise	量测通过FPC/FFC最大容许电流时,样品接触点之温升。 (EIA-364-70 Method2) Mate applicable FPC/FFC and measure the temperature rise of contact when the maximum AC rated current is passed. (EIA-364-70 Method 2)	温升 Temperature Rise	30° C最大. 30° C Max.

浙江创都电子科技有限公司

ZHE JIANG CHUANG DU ELECTRONICS CO., LTD

REV. A

耐振性 Vibration	通过DC电流100mA，位移相对距离1.5mm，振动周期10~ 55~ 10 Hz在1分钟内，持续2小时，方向在X, Y, Z轴做测试。(EIA-364-28 Condition I) Mate connectors and subject to the following vibration conditions, for period of 2 hours in each of 3 mutually perpendicular axes, passing DC 100mA during the test. Amplitude : 1.5mm P-P Frequency : 10~ 55~ 10 Hz in 1 minute. Duration : 2 hours in each of X, Y, Z axes. (EIA-364-28 Condition I)	外观 Appearance	目视外观无任何损坏异状 NoDamage
		接触阻抗 Contact Resistance	60mΩ最大. 60mΩ Max.
		瞬间断电 Discontinuity	1 μ sec最大 1 μ sec Max.
项目 ITEM	测试条件 TEST CONDITION	规格 REQUIRMENT	
耐冲击性 Shock	将样品与适合之FPC/FFC连接，通过DC 100 mA测试条件，连续测试3次。在X、Y、Z 3轴6个垂直方向施于重力加速度490m/s ² {50G} 冲击。 (EIA-364-27, Test condition A) Mate applicable FPC/FFC and subject to the following shock conditions. 3 times of shocks shall be applied for each 6 directions along 3 mutually perpendicular axes, passing DC 100 mA current during the test. (Total of 18 shocks) Peak value : 490m/s ² {50G} (EIA-364-27, Test condition A)	外观 Appearance	目视外观无任何损坏异状 NoDamage
		接触阻抗 Contact Resistance	60mΩ 最大. 60mΩ Max.
		瞬间断电 Discontinuity	1 μ sec 最大 1 μ sec Max.
耐热性 Heat Resistance	将样品与适合之FPC/FFC连接，置于环境温度85±2° C测试时间96小时，再放置于室温下1~ 2小时。 (EIA-364-17) Mate applicable FPC/FFC and expose	外观 Appearance	目视外观无任何损坏异状 NoDamage

浙江创都电子科技有限公司

ZHE JIANG CHUANG DU ELECTRONICS CO., LTD

REV. A

	to $85 \pm 2^\circ \text{C}$ for 96 hours. Upon completion of the exposure period, the test specimens shall be conditioned at ambient room conditions for 1 to 2 hours, after which the specified measurements shall be performed. (EIA-364-17)	接触阻抗 Contact Resistance	60mΩ 最大. 60mΩ Max.
耐寒性 Cold Resistance	将样品与适合之FPC/FFC连接, 置于环境温度 $-40 \pm 2^\circ \text{C}$, 测试时间96小时, 再置放于室温下1~ 2小时。 (EIA-364-59) Mate applicable FPC/FFC and expose to $-40 \pm 2^\circ \text{C}$ for 96 hours. Upon completion of the exposure period, the test specimens shall be conditioned at ambient room conditions for 1 to 2 hours, after which the specified measurements shall be performed. (EIA-364-59)	外观 Appearance	目视外观无任何损坏异状 NoDamage
		接触阻抗 Contact Resistance	60mΩ 最大. 60mΩ Max.

项目 ITEM	测试条件 TEST CONDITION	规格 REQUIRMENT	
耐湿性 Humidity	将样品与适合之FPC/FFC连接, 置于环境温度 $40 \pm 2^\circ \text{C}$, 相对湿度90~ 95%, 测试时间96小时, 再置放于室温下1~ 2小时。(EIA-364-31) Mate applicable FPC/FFC and expose to $40 \pm 2^\circ \text{C}$, relative humidity 90 to 95% for 96 hours. Upon completion of the exposure period, the test specimens shall be conditioned at ambient room conditions for 1 to 2 hours, after which the specified measurements shall be performed. (EIA-364-31)	外观 Appearance	目视外观无任何损坏异状 NoDamage
		接触阻抗 Contact Resistance	60mΩ最大. 60mΩMax.
		耐电压 Dielectric Strength	需能符合耐电压测试 No Breakdown
		绝缘阻抗 Insulation Resistance	20 MΩ 最小. 20 MΩ Min

浙江创都电子科技有限公司

ZHE JIANG CHUANG DU ELECTRONICS CO., LTD

REV. A

热冲击 Thermal Shock	将样品与适合之FPC/FFC连接, 承受5 cycles冷热冲击后置放于室温下1~ 2小时。1 cycle time如下 a) $-55 \pm 3^{\circ} \text{C}$ 30分钟 b) $+85 \pm 3^{\circ} \text{C}$ 30分钟 (EIA-364-32) Mate applicable FPC/FFC and subject to the following conditions for 5 cycles. Upon completion of the exposure period, the test specimens shall be conditioned at ambient room conditions for 1 to 2 hours, after which the specified measurements shall be performed. 1 cycle a) $-55 \pm 3^{\circ} \text{C}$ 30minutes b) $+85 \pm 3^{\circ} \text{C}$ 30minutes (EIA-364-32)	外观 Appearance	目视外观无任何损坏异状 NoDamage
		接触阻抗 Contact Resistance	60mΩ 最大. 60mΩ Max.
盐水喷雾 Salt Spray	将样品与适合之FPC/FFC连接, 使用 $5 \pm 1\%$ 浓度盐水, 测试温度 $35 \pm 2^{\circ} \text{C}$, 镀金: 1~ 2u", 测试时间 24 ± 4 小时, 镀金: 3u" 及以上, 测试时间 48 ± 4 小时, 后于室温下使用清水冲洗后再干燥。(EIA-364-26) Mate applicable FPC/FFC and expose to the following salt mist conditions. Upon completion of the exposure period, salt deposits shall be removed by a gentle wash or dip in running water, after which the specified measurements shall be performed. NaCl solution Concentration : $5 \pm 1\%$ Gold plating: 1~ 2u " Spray time : 24 ± 4 hours Gold plating: 3u "and above Spray time : 48 ± 4 hours Ambient temperature : $35 \pm 2^{\circ} \text{C}$ (EIA-364-26)	外观 Appearance	目视外观无任何损坏异状 NoDamage
		接触阻抗 Contact Resistance	60mΩ 最大. 60mΩ Max.
项目	测试条件	规格	

浙江创都电子科技有限公司

ZHE JIANG CHUANG DU ELECTRONICS CO., LTD

REV. A

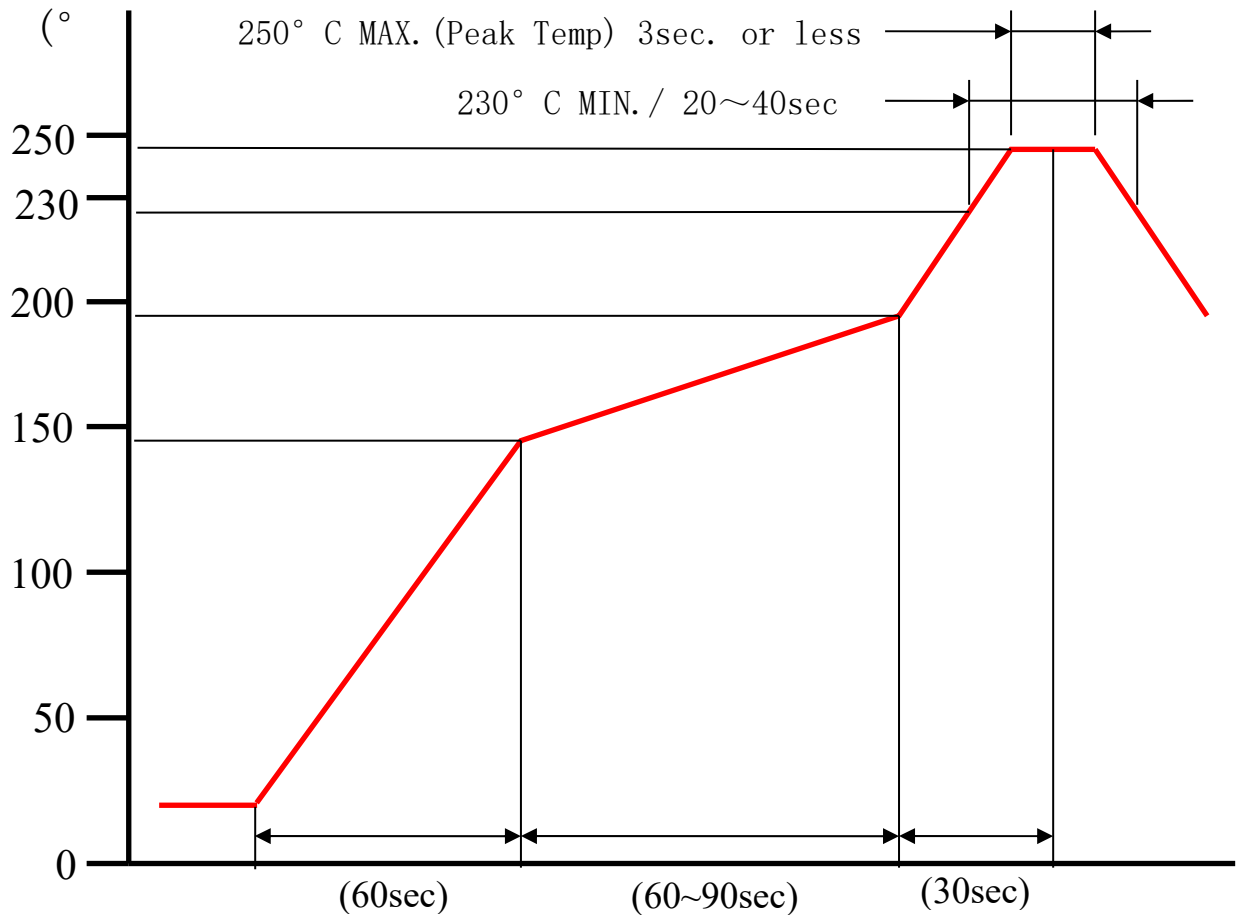
ITEM	TEST CONDITION	REQUIRMENT	
焊锡性 Solderability	锡温 $245 \pm 5^{\circ} \text{C}$, 将导电端子浸入锡炉液面至Housing距离锡面0.1mm位置, 焊锡时间 3 ± 0.5 秒。(EIA-364-52) Tip of solder tails and fitting nails into the molten solder (held at $245 \pm 5^{\circ} \text{C}$) up to 0.1mm from the bottom of the housing for 3 ± 0.5 seconds. (EIA-364-52)	润湿性 Solder Wetting	润湿面积95%以上, 并不得有漏焊针孔现象 95% of immersed area must show no voids, pin holes.
焊锡耐热性 Resistance to Soldering Heat	使用红外线回焊时请参考第7 When reflowing Refer to paragraph 7. 使用烙铁手焊时须可符合下述焊锡条件。(EIA-364-56) Soldering iron method 0.2mm from terminal tip and fitting nail tip. Soldering time : 5 seconds Max. Solder temperature : $370 \sim 400^{\circ} \text{C}$. (EIA-364-56)	外观 Appearance	目视外观无任何损坏异状 NoDamage

浙江创都电子科技有限公司

ZHE JIANG CHUANG DU ELECTRONICS CO., LTD

REV. A

【7】红外线回焊温度曲线 INFRARED REFLOW CONDITION



Start (Pre-Heat 150° C MAX.)

—————> Time (seconds)

温度条件TEMPERATURE CONDITION GRAPH
(基板表面温度) (TEMPERATURE ON BOARD PATTERN SIDE)