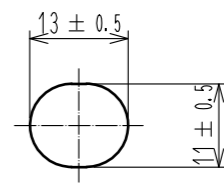
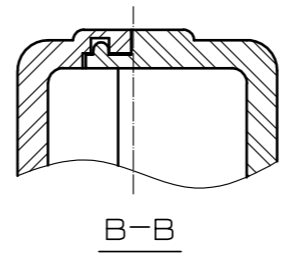
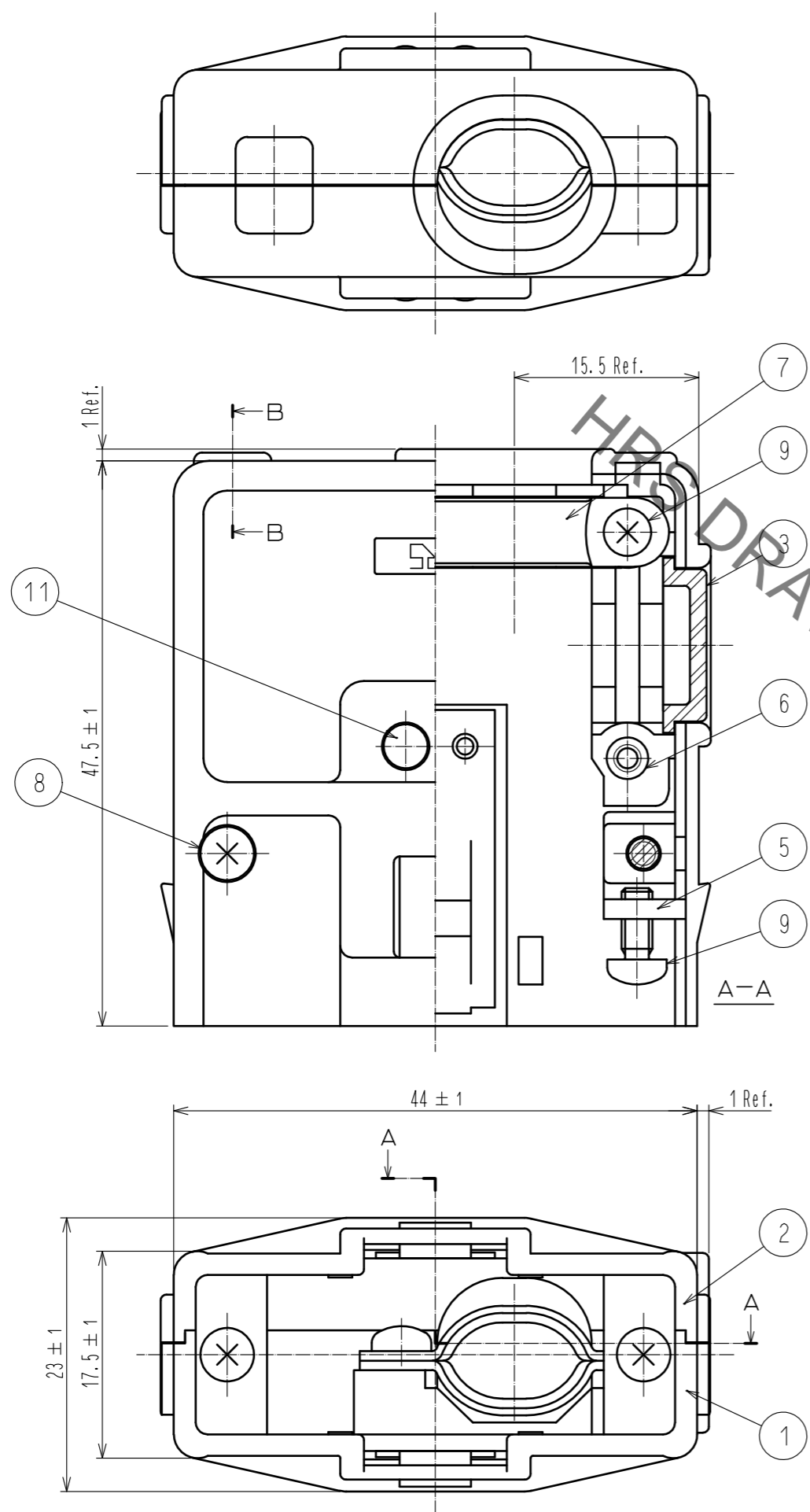
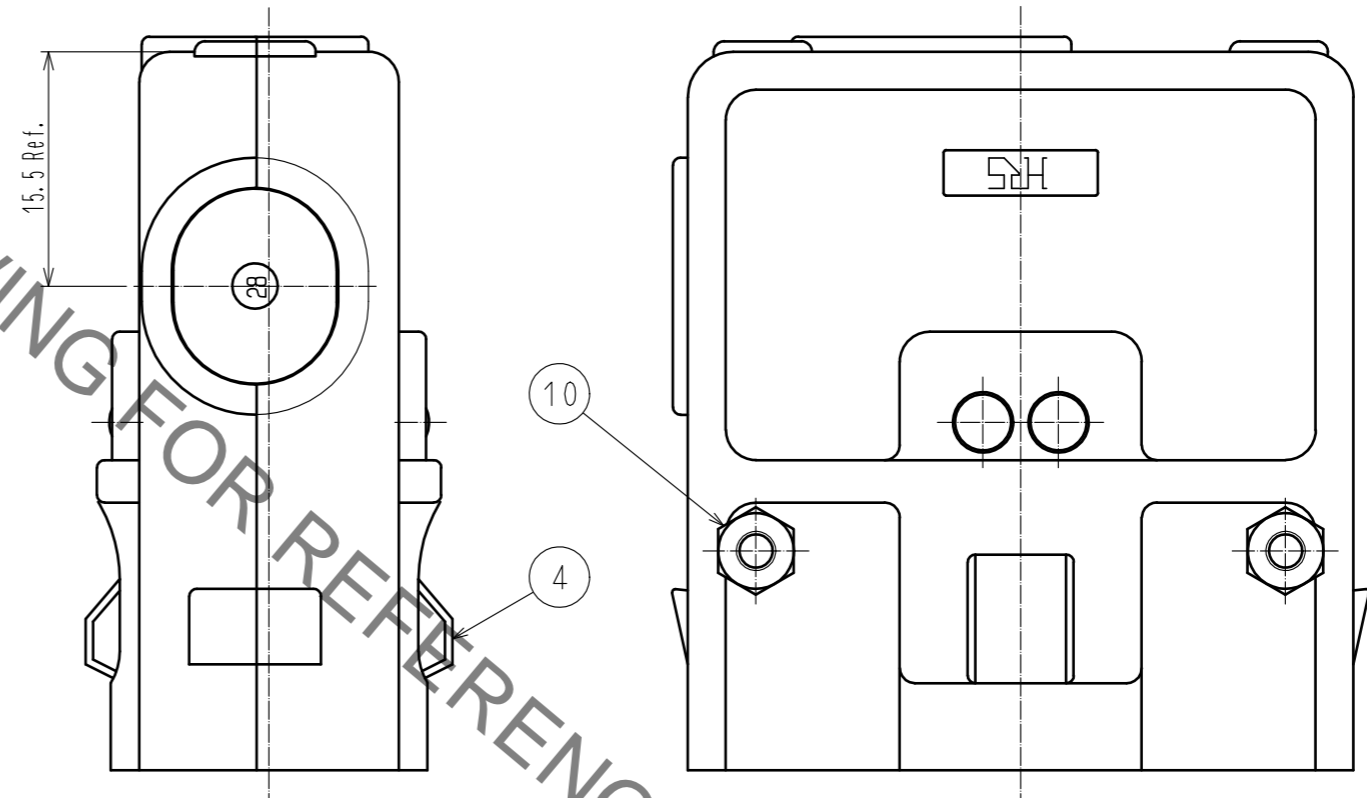


Sep.1.2019 Copyright 2019 HIROSE ELECTRIC CO., LTD. All Rights Reserved.
In case of consideration for using Automotive equipment / device which demand high reliability, kindly contact our sales window correspondents.



Cable outlet dimension (1 : 1)



5	Steel	Over plating :Nickel 2μm min. Under plating :Copper 1μm min.	11	Aluminum	Over plating :Nickel 0.8μm min. Under plating :Copper 1μm min.
4	Phosphor bronze	Over plating:Nickel 0.8μm min.	10	Steel	Over plating :Nickel 0.8μm min. Under plating :Copper 1μm min.
3	ABS	Black	9	Steel	Over plating :Nickel 2μm min. Under plating :Copper 1μm min.
2	ABS	Black	8	Steel	Over plating :Nickel 2μm min. Under plating :Copper 1μm min.
1	ABS	Black	7	Stainless steel	
			6	Brass	Over plating :Nickel 0.8μm min.
NO.	MATERIAL	FINISH . REMARKS	NO.	MATERIAL	FINISH . REMARKS

UNITS mm			SCALE 2 : 1	COUNT 	DESCRIPTION OF REVISIONS	DESIGNED	CHECKED	DATE
HRS HIROSE ELECTRIC CO., LTD.			APPROVED : NM. NISHIMATSU	18.02.01	DRAWING NO.	EDC-005684-50-00		
			CHECKED : NM. NISHIMATSU	18.02.01	PART NO.	P-1628A-C(50)		
			DESIGNED : MO. SHIMOYAMA	18.01.31	CODE NO.	CL216-0033-1-50		
			DRAWN : MO. SHIMOYAMA	18.01.31				