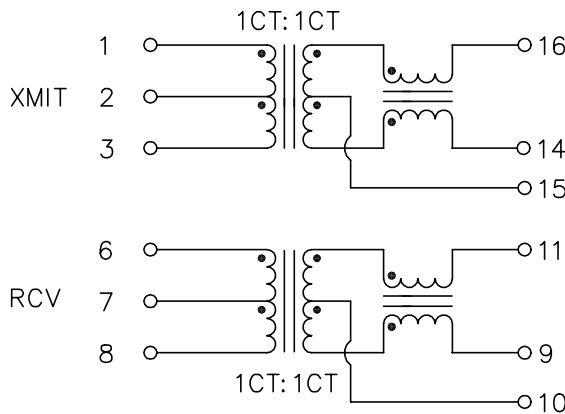


HR601680

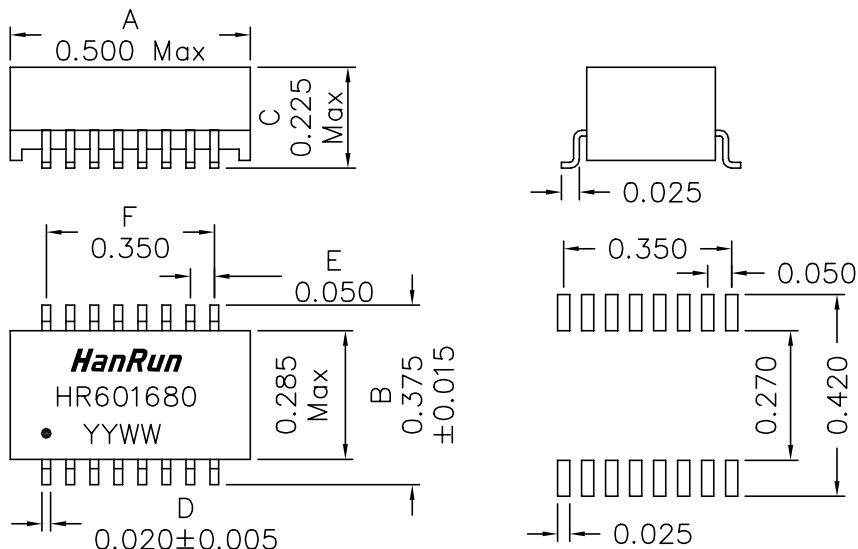
Electrical Specification @25°C

Operating Temperature Range: 0°C ~ +70°C
 Isolation: 1500Vrms 0.5mA 60sec (Primary to Secondary)
 OCL: 350uH Minimum @100KHz 100mV with 8mADC
 Insertion Loss: -1.1dB Maximum @300KHz ~ 100MHz
 Return Loss: -20dB Typical @30MHz
 -14dB Typical @60MHz
 -11.5dB Minimum @80MHz
 Different to Common Mode Rejection: -37dB Typical @30MHz ~ 50MHz
 -30dB Typical @100MHz
 Crosstalk: -45dB Typical @1MHz ~ 30MHz / -35dB Typical @60MHz ~ 100MHz

Schematics



Mechanical Dimensions



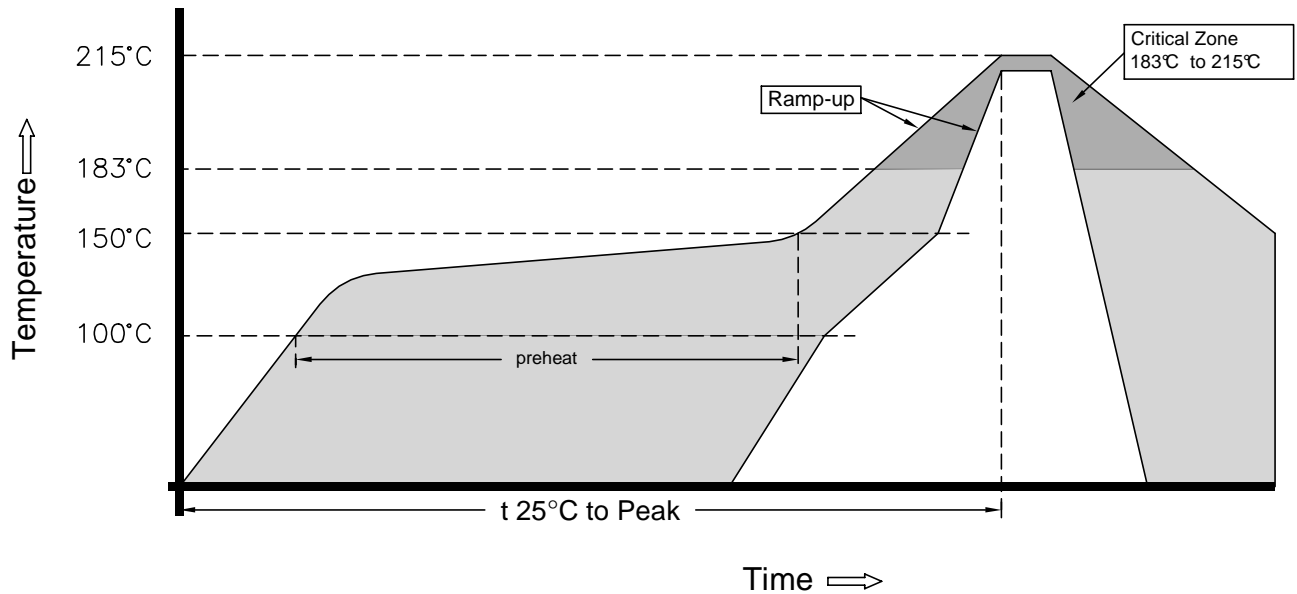
Case material: DAP

Dimensions in inches

Unless otherwise specified, Tolerance: .xxx ±0.010

REV.: B/1

SUGGESTED PCB PAD LAYOUT



Remarks:

- Maximum peak temperature = 220°C
- Minimum peak temperature = 210°C
- Maximum preheat rate = 2°C / sec
- Ramp up rate = 3°C / sec max
- Time above 210°C = 10 sec min / 40 sec max
- Maximum cooling rate = 4°C / sec
- T 25°C to peak = 6min max
- preheat Time = 60 ~ 120 sec