

## 90V Ceramic Gas Discharge Tubes

### 1. Features

- Non-Radioactive
- ROHS Compliant
- LOW Capacitance
- High insulation resistance
- Fast response-time

### 2. Applications

- Branch exchange
- Date/Single line protection
- Station protection
- Telephone/Fax/modem protection
- Consumer electronic

### 3. Product characteristics

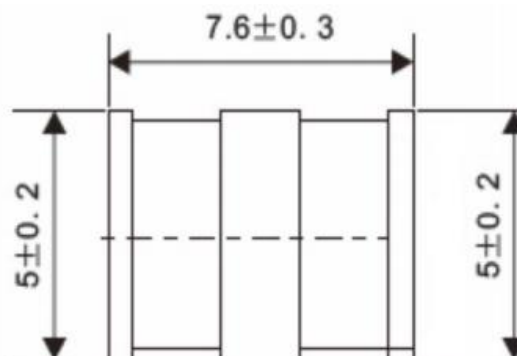
Part Number	Physical dimensions	Packing	Quantity per reel	Reel Size
3RL090M-5-SS(ES)	7.6mm*5.0mm*5.0mm	Tape & Reel	1,000 PCS	13 inches

Table-1 Ordering information

### 4. Electrical Characteristics

Part number	DC spark-over Voltage	Impulse spark-over Voltage	Nominal Impulse Discharge current	Nominal Discharge Current	Electrode Capacitance	Insulation resistance	DC Holdover voltage
	100V/s	1 KV/ $\mu$ s	8/20 $\mu$ s	1S, 50Hz	1MHz		
3RL090M-5-SS(ES)	90V $\pm$ 30%	<600V	10KA	5A	<1pF	>1G $\Omega$	50V

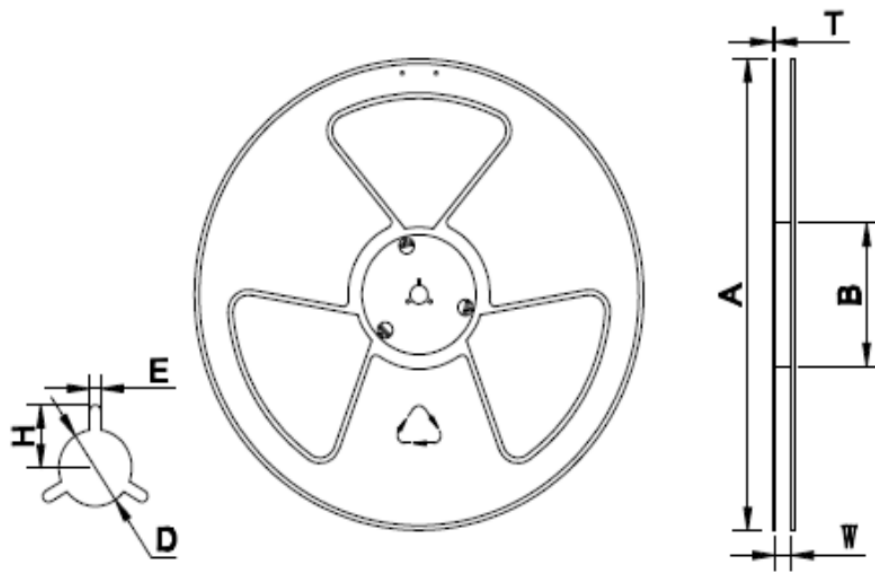
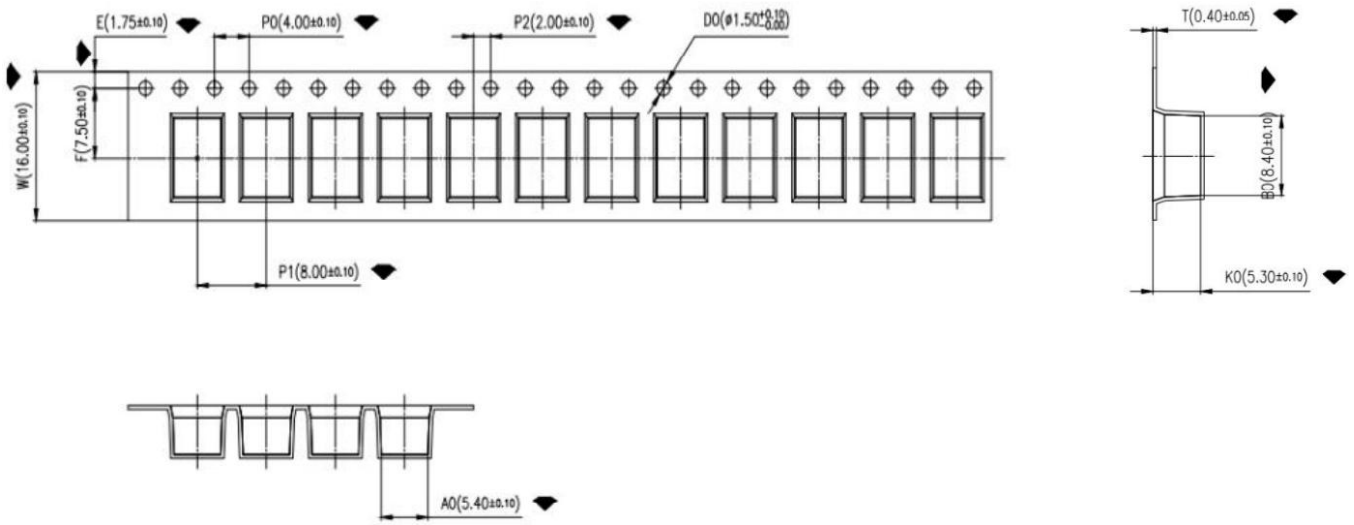
### 5. Mechanical Dimension(unit:mm)



**3RL090M-5-SS(ES)**

Rev-1.2

**6. Packaging(unit:mm)**



$A=330 \pm 1$
$B=99.5 \pm 2$
$D=13 \pm 0.5$
$E=2.2 \pm 0.5$
$H=11 \pm 1$
$W=16.5 \pm 0.4$
$T=2.2 \pm 0.2$

**DISCLAIMER**

ELECSUER PROVIDES TECHNICAL AND RELIABILITY DATA (INCLUDING DATASHEETS), DESIGN RESOURCES (INCLUDING REFERENCE DESIGNS), APPLICATION OR OTHER DESIGN ADVICE, SAFETY INFORMATION, AND OTHER RESOURCES "AS IS" AND WITH ALL FAULTS, AND DISCLAIMS ALL WARRANTIES, EXPRESS AND IMPLIED, INCLUDING WITHOUT LIMITATION ANY IMPLIED WARRANTIES OF MERCHANTABILITY, FITNESS FOR A PARTICULAR PURPOSE OR NON-INFRINGEMENT OF THIRD PARTY INTELLECTUAL PROPERTY RIGHTS.

These resources are intended for skilled developers designing with ElecSuper products. You are solely responsible for

- (1) selecting the appropriate ElecSuper products for your application;
- (2) designing, validating and testing your application;
- (3) ensuring your application meets applicable standards, and any other safety, security, or other requirements.

These resources are subject to change without notice. ElecSuper grants you permission to use these resources only for development of an application that uses the ElecSuper products described in the resource. Other reproduction and display of these resources are prohibited. No license is granted to any other ElecSuper intellectual property right or to any third party intellectual property right. ElecSuper disclaims responsibility for, and you will fully indemnify ElecSuper and its representatives against, any claims, damages, costs, losses, and liabilities arising out of your use of these resources. ElecSuper's products are provided subject to ElecSuper's Terms of Sale or other applicable terms available either on [www.elecsuper.com](http://www.elecsuper.com) or provided in conjunction with such ElecSuper products. ElecSuper's provision of these resources does not expand or otherwise alter ElecSuper's applicable warranties or warranty disclaimers for ElecSuper products.