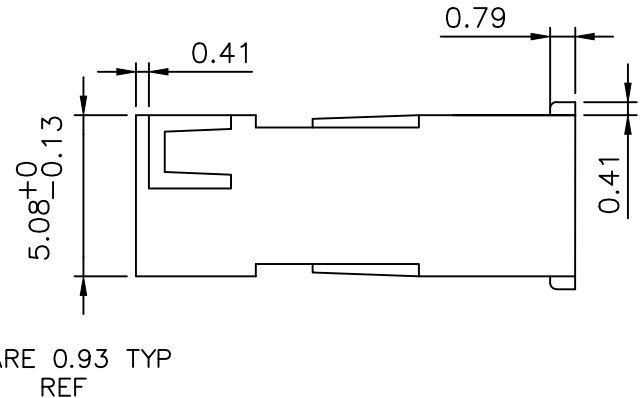
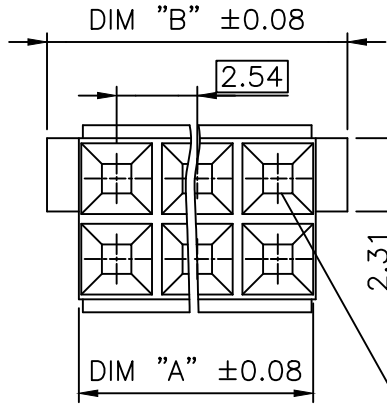
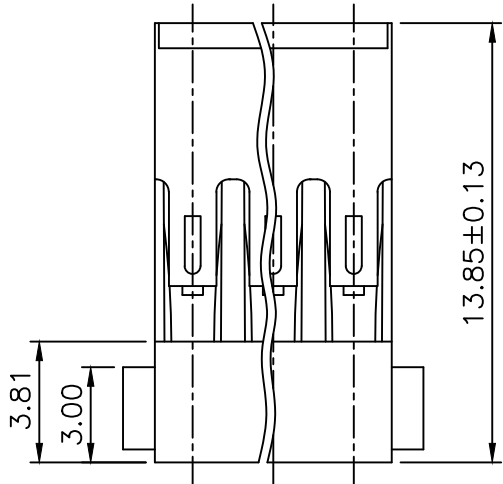


PRODUCT NUMBER	No. OF POS.	DIM "A"	DIM "B"
68105-001LF	2x02	4.93	6.93
68105-002LF	2x03	7.47	9.47
68105-003LF	2x04	10.01	12.01

EXTENDED RANGE

- TOOLING FEASIBILITY CONFIRMED
- SAMPLES ON DEMAND
- AVAILABILITY ON DEMAND



SQUARE 0.93 TYP REF

NOTES:

- 1 - MOLDING MATERIAL: POLYAMID (PA 66), COLOR BLACK 25% GLASS FILLED, UL 94 V0
- 2 - STANDARD PACKAGING IN POLYBAGS
- 3 - TERMINALS MUST BE CRIMPED PROPERLY FOR SATISFACTORY LATCHING:
 - FOR CRIMPING INSTRUCTIONS, SEE TA-75
 - FOR TERMINAL APPLICATION SEE TA-531.
 PRODUCT SPECIFICATION: BUS-12-067.
- 4 - THIS HOUSING IS INTENDED FOR USE WITH MINI PV TERMINAL WITH 22-36 GAUGE WIRE
- 5 - PRODUCT MEETS EUROPEAN UNION DIRECTIVES AND OTHER COUNTRY REGULATIONS AS DESCRIBED IN GS-22-008.
- 6 - THE PRODUCT IS NOT INTENDED TO BE EXPOSED TO A MANUFACTURING SOLDER PROCESS.
- 7 - THIS PART SERIES IS NOT INITIALLY INTENDED FOR AUTOMOTIVE APPLICATIONS. ADDITIONAL FEES ARE CHARGEABLE FOR ANY ADDITIONAL QUALIFICATION AND TEST REPORTS PERFORMED OUTSIDE THE SCOPE OF THE STANDARD PRODUCT SPECIFICATIONS.
- 8 - UNLESS OTHERWISE APPROVED BY AMPHENOL, ALL PARTS AND COMPONENTS ARE DESIGNED & BUILT ACCORDING TO AMPHENOL'S SPECIFICATIONS WHICH ARE SUBJECT TO CHANGE WITHOUT NOTICE.

mat'l. code SEE NOTES				surface ISO 1302 ✓		tolerance ISO 406 ISO 1101		projection mm		product family BERCONN			
G V08-0097 HTB 08.02.25				tolerances unless otherwise specified		.x ±0.3		mm		title MINI LATCH DR			
H F11-0099 LMU 11.09.05				angles		.xx ±0.13		scale 5:1		dwg no 68105			
J F-54546 DDE 25.02.07				linear		.xxx ±0.05				sheet 1 of 1 size A3			
				dr		L.MULIN 11.05.19				type CUSTOMER Drawing			
				enr		L.MULIN 11.05.19							
				chr									
				appd		L.MULIN 11.05.19							
sheet index		revision sheet											