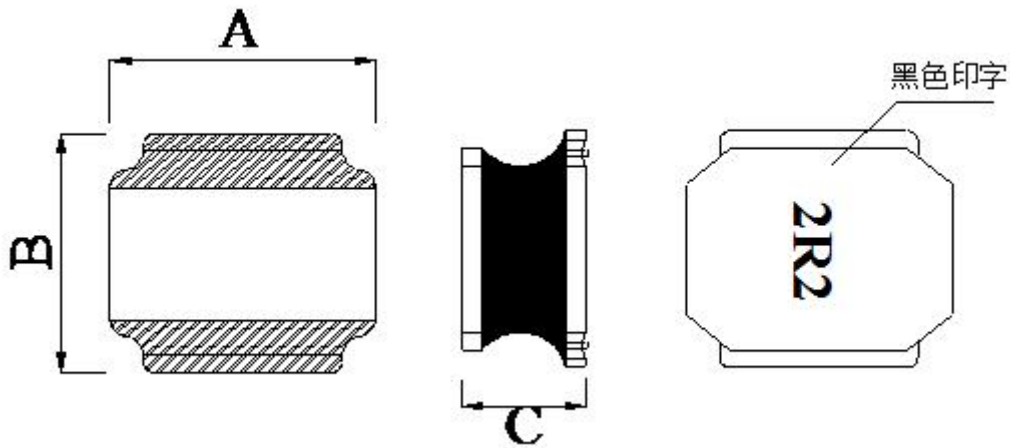


1 Product Identification

GDNR 5040 - 2R2 M T F
 ① ② ③ ④ ⑤ ⑥

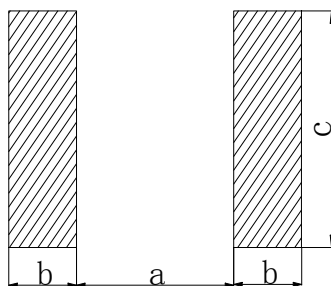
- ① Product Symbol
- ② Dimensions (See two)
- ③ Inductance Value (2R2:2.2μH)
- ④ Inductance Tolerance (J:±5%;K:±10%; M:±20%; N:±30%)
- ⑤ Packaging Style (B: Bulk; T: Tape & Reel)
- ⑥ Lead Free

2 Appearance, Dimensions(mm)



A	B	C
5.0±0.2	5.0±0.2	4.0 Max

LAND PATTERN DIMENSIONS



/	mm
a	2.3
b	1.4
c	4.2



3 Specifications

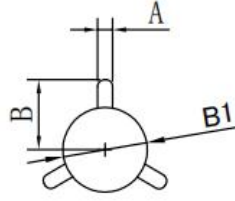
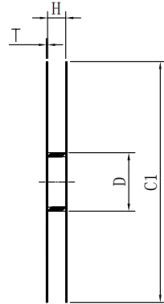
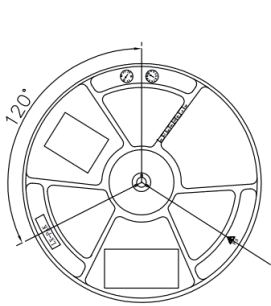
Part No.	Inductance L0(uH) $\pm 20\%$ @100KHz/1V	RDC (m Ω)	Saturation Current (A)Max	Heat Rating Current (A)Max
GDNR5040-2R2MTF	2.2	22 $\pm 30\%$	5.0	3.7
GDNR5040-3R3MTF	3.3	27 $\pm 30\%$	4.0	3.3
GDNR5040-4R7MTF	4.7	32 $\pm 30\%$	3.3	3.1
GDNR5040-6R8MTF	6.8	48 $\pm 30\%$	2.8	2.4
GDNR5040-100MTF	10	65 $\pm 30\%$	2.3	2.1

※ Note

*Rated current is the DC current that reduces the initial inductance by 30% or when the temperature rises $\Delta T = 40^\circ\text{C}$

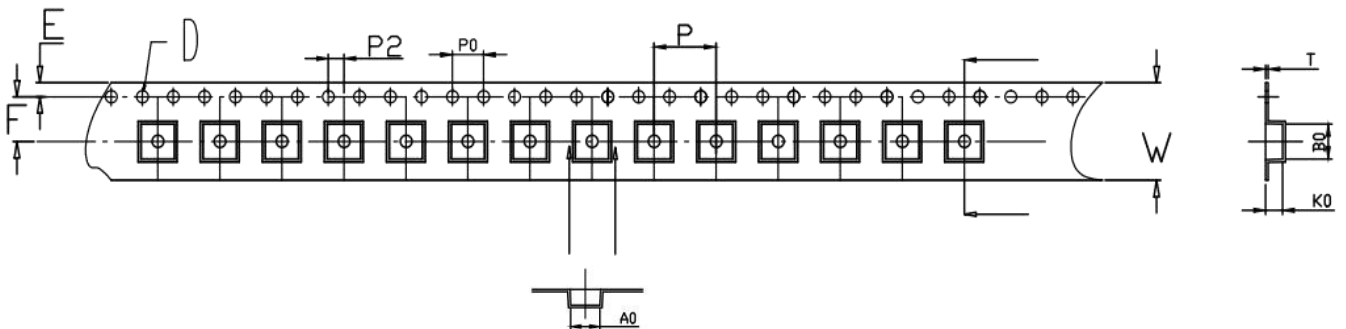
4 Packaging

(1) Dimensions of Reel (mm)



	Size (mm)
C1	330 ± 3.0
H	12.8 ± 0.5
A	2.5 ± 0.3
B	10.75 ± 0.3
B1	13+0.5/-0.2
T	2.0 ± 0.2
D	100 ± 1.0

(2) Dimensions of Tape (mm):



W	A0	B0	K0	P	F	E	D	P0	P2	T	Packaging quantity
12.0 ± 0.3	5.6 ± 0.1	5.6 ± 0.1	4.5 ± 0.1	8.0 ± 0.1	5.5 ± 0.1	1.75 ± 0.1	1.5+ 0.1/-0.0	4.0 ± 0.1	2.0 ± 0.1	0.40 ± 0.05	1500PCS/REEL