

SIGN	DATE	DESCRIPTION	APPROVER
△	7/07'09	Electrical standard is changed from UL/cUL to cULus	Kind
△	7/07'09	Current rating changed from 8A to 10A	Kind
△	7/07'09	Operating tem. changed from -30°C~105°C to -40°C~115°C	Kind
△	7/07'09	Add VDE Certification	Kind
△	2/03'12	Add the Elevation view	Chen Bo

*THIS IS CAD DRAWING, DO NOT REVISE MANUALLY!!!*

### Material

- (A) Terminal body(metal housing of double): Brass(CuZn),Ni plated
- (B) Terminal body(metal housing of single): Brass(CuZn),Ni plated
- (C) Terminal screw: Steel Zinc plating "-" slot type
- (D) Wire guard: Steeless steel
- (E) Insulator (lever): Thermoplastic (UL94V-0)
- (F) Insulator (housing): Thermoplastic (UL94V-0)

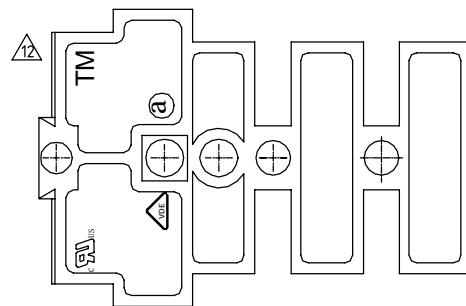
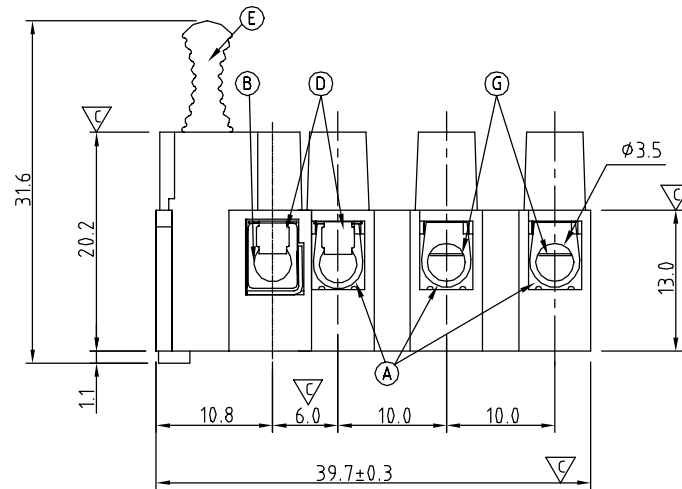
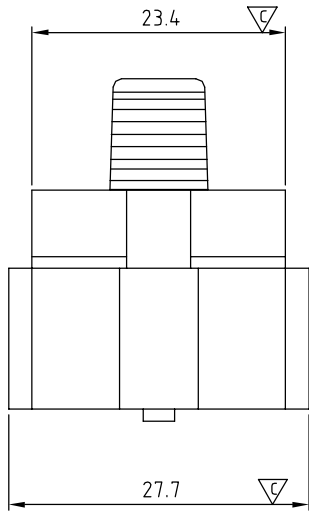
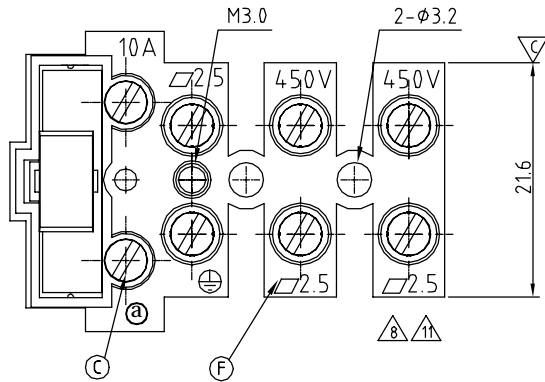
- △ 8 △ 5 Electrical cULus VDE
  - Voltage rating: 400VAC / 450VAC
  - Current rating: 10A / 24A
  - Wire range: 0.34~2.5mm<sup>2</sup>
  - Solid wire(AWG): 14-22
  - Stranded wire(AWG): 14-22
  - Torque(Lb-In): 3.5 /0.5
  - Screw: M3 /Nm
  - Wire strip length: 7-8mm
  - Withstanding Voltage: 1.8KV / 2.5KV
- △ 7 ● Operating temperature: -40°C to +115°C
- Safety Approval:
- Critical dimension:

# ANYTEK

## CUSTOMER COPY

ALL RIGHTS RESERVED. REPRODUCTION OR ISSUE TO THIRD PARTIES IN ANY FORM WHATEVER IS NOT PERMITTED WITHOUT WRITTEN AUTHORITY FROM THE PROPRIETOR. PROPERTY OF ANYTEK TECHNOLOGY CO., LTD

TITLE		TM - series 3 Poles			
PART NO.	TM0319000000G	DWG NO.	8TM0001		
APPROVED	CHECKED	DESIGNED	DRAWN	CUST NO.	Tolerance
			Chen Bo 02/03'12		X. ±0.50
					UNIT: mm
				SHEET: 01/01	X.XX ±0.10
				REV.: G	X° ±1°



SIGN	DATE	DESCRIPTION	APPROVER
△	7/07'09	Electrical standard is changed from UL/cUL to cULus	Kind
△	7/07'09	Current rating changed from 8A to 10A	Kind
△	7/07'09	Operating tem. changed from -30°C~105°C to -40°C~115°C	Kind
△	7/07'09	Add VDE Certification	Kind
△	6/14'10	Current rating changed from 10A to 2.5	Chen Bo
△	2/03'12	Add the Elevation view	Chen Bo

*THIS IS CAD DRAWING, DO NOT REVISE MANUALLY!!!*

**Material**

- (A) Terminal body(metal housing of double): Brass(CuZn),Ni plated
- (B) Terminal body(metal housing of single): Brass(CuZn),Ni plated
- (C) Terminal screw: Steel Zinc plating "-" slot type
- (D) Wire guard(short): Steeless steel
- (E) Insulator (lever): Thermoplastic (UL94V-0)
- (F) Insulator (housing): Thermoplastic (UL94V-0)
- (G) Wire guard(long): Steeless steel

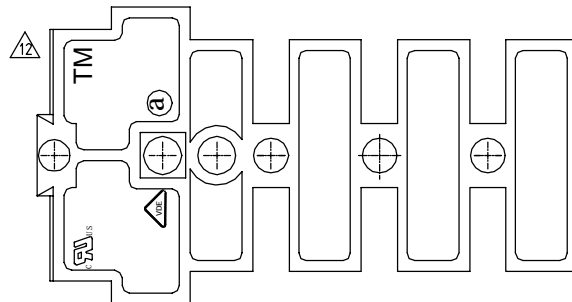
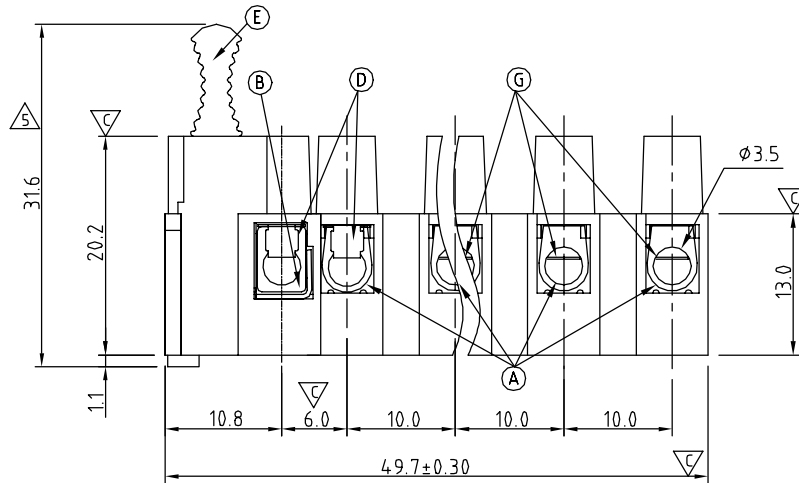
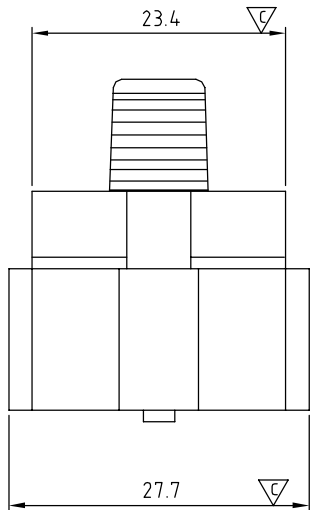
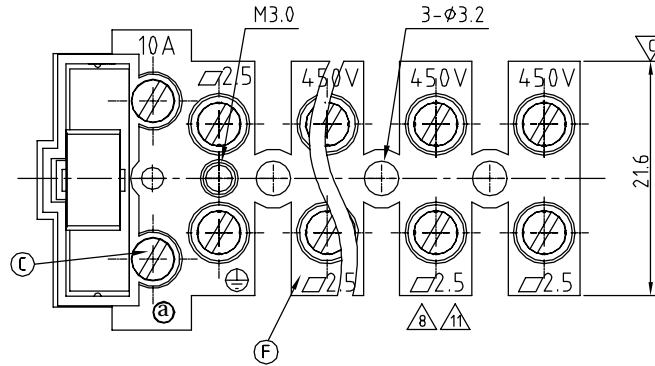
- △ 10 Electrical cULus VDE
  - Voltage rating: 400VAC / 450VAC
- △ 8
  - Current rating: 10A / 24A
  - Wire range: 0.34~2.5mm<sup>2</sup>
  - Solid wire(AWG): 14-22
  - Stranded wire(AWG): 14-22
  - Torque(Lb-In): 3.5 /0.5
  - Screw: M3 /Nm
  - Wire strip length: 7-8mm
  - Withstanding Voltage: 1.8KV / 2.5KV
- △ 9
  - Operating temperature: -40°C to +115°C
  - Safety Approval: cULus VDE
  - Critical dimension: ∇

**ANYTEK**

**CUSTOMER COPY**

ALL RIGHTS RESERVED. REPRODUCTION OR ISSUE TO THIRD PARTIES IN ANY FORM WHATSOEVER IS NOT PERMITTED WITHOUT WRITTEN AUTHORITY FROM THE PROPRIETOR. PROPERTY OF ANYTEK TECHNOLOGY CO., LTD

TITLE	TM - Series Fuse holder with 4 Poles				DWG NO.	8TM0701	
PART NO.	TM04.19010000G			CUST NO.			
APPROVED	CHECKED	DESIGNED	DRAWN	Tolerance			
			Chen Bo 02/03'12		UNIT: mm	X.	±0.50
					SCALE: NONE	X.X	±0.30
				SHEET: 01/01	REV.: H	X.XX	±0.10
						X°	±1°



SIGN	DATE	DESCRIPTION	APPROVER
△	7/07'09	Electrical standard is changed from UL/cUL to cULus	Kind
△	7/07'09	Current rating changed from 8A to 10A	Kind
△	7/07'09	Operating tem. changed from -30°C~105°C to -40°C~115°C	Kind
△	7/07'09	Add VDE Certification	Kind
△	6/14'10	Current rating changed from 10A to 2.5	Chen Bo
△	2/03'12	Add the Elevation view	Chen Bo

*THIS IS CAD DRAWING, DO NOT REVISE MANUALLY!!!*

**Material**

- (A) Terminal body(metal housing of double): Brass(CuZn),Ni plated
- (B) Terminal body(metal housing of single ): Brass(CuZn),Ni plated
- (C) Terminal screw: Steel Zinc plating "-" slot type
- (D) Wire guard(short): Steeless steel
- (E) Insulator (lever): Thermoplastic (UL94V-0)
- (F) Insulator (housing): Thermoplastic (UL94V-0)
- (G) Wire guard(Long): Steeless steel

- △10 △7 Electrical cULus VDE
  - Voltage rating: 400VAC / 450VAC
- △8 ● Current rating: 10A / 24A
  - Wire range: 0.34~2.5mm<sup>2</sup>
  - Solid wire(AWG): 14-22
  - Stranded wire(AWG): 14-22
  - Torque(Lb-In): 3.5 /0.5 Nm
  - Screw: M3
  - Wire strip length: 7-8mm
  - Withstanding Voltage: 1.8KV / 2.5KV
- △9 ● Operating temperature: -40°C to +115°C
  - Safety Approval:
  - Critical dimension:

<b>ANYTEK</b>				<b>CUSTOMER COPY</b>					
ALL RIGHTS RESERVED. REPRODUCTION OR ISSUE TO THIRD PARTIES IN ANY FORM WHATSOEVER IS NOT PERMITTED WITHOUT WRITTEN AUTHORITY FROM THE PROPRIETOR. PROPERTY OF ANYTEK TECHNOLOGY CO., LTD									
TITLE		TM - series 5 Poles with handle				DWG NO.		8TM0301	
PART NO.		TM0519000000G				CUST NO.			
APPROVED		CHECKED		DESIGNED		DRAWN		Tolerance	
						Chen Bo 02/03'12		UNIT: mm X. ±0.50 SCALE: NONE X.X ±0.30 SHEET: 01/01 REV.: H X.XX ±0.10 X° ±1°	