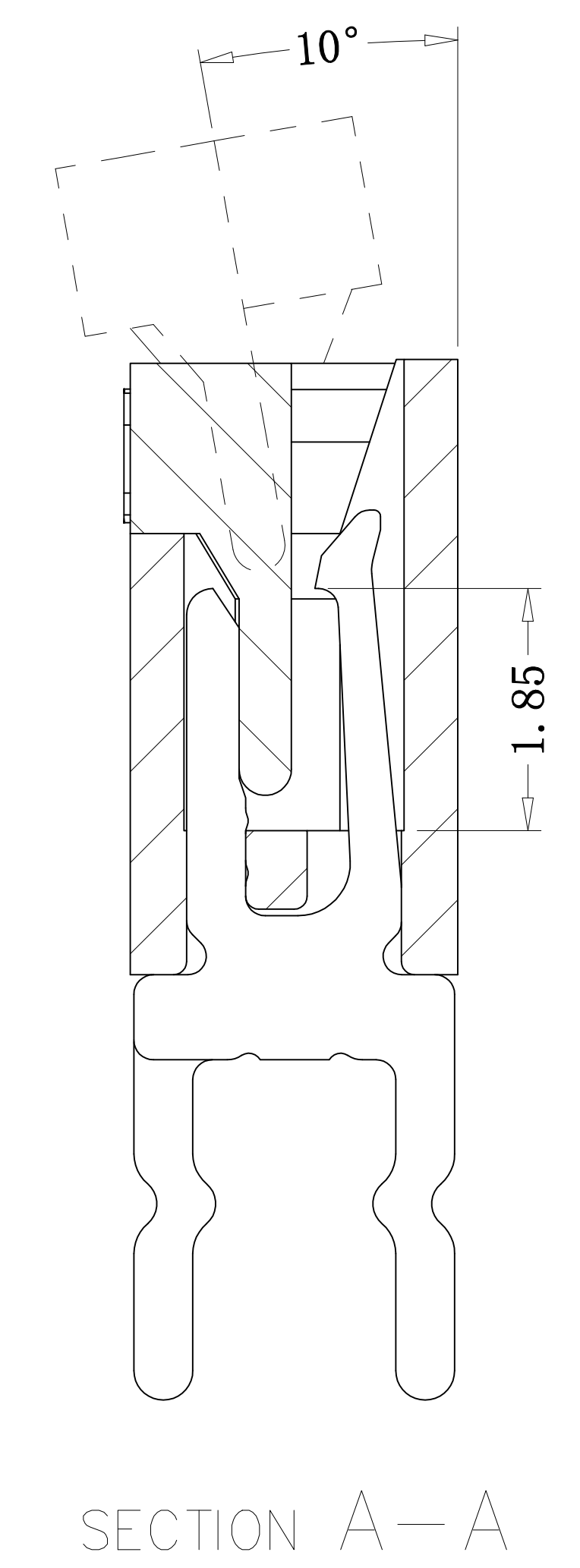
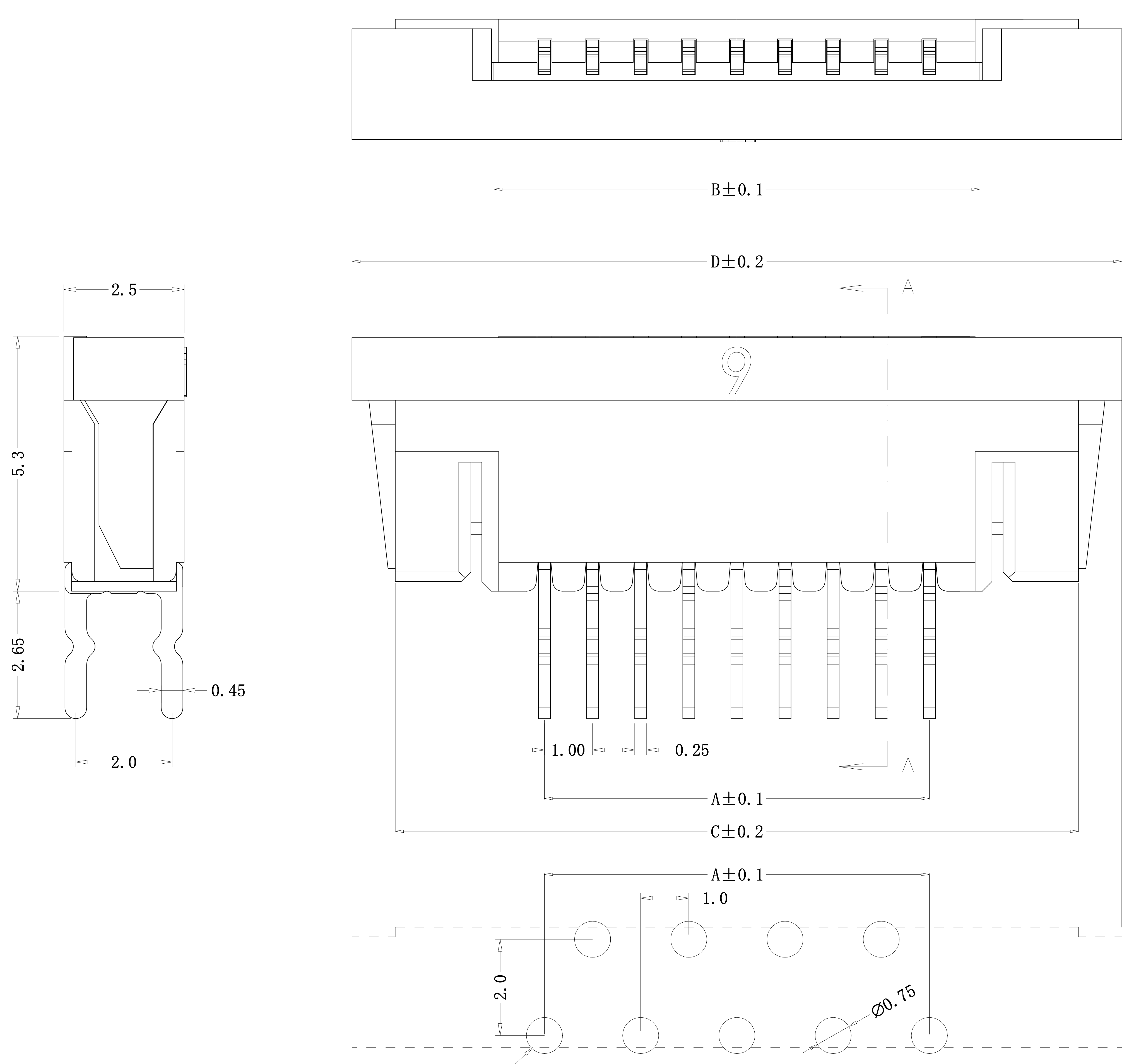


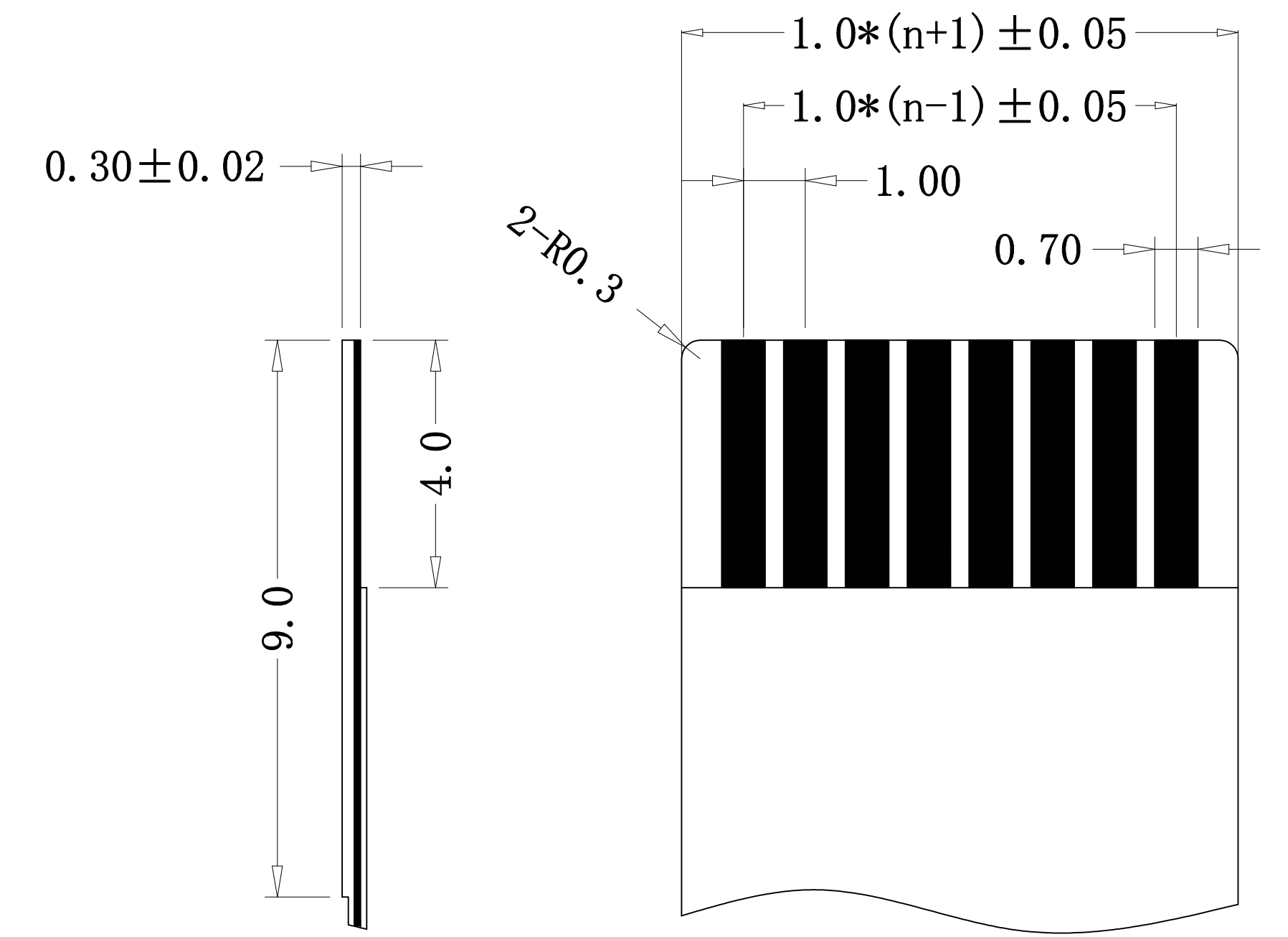
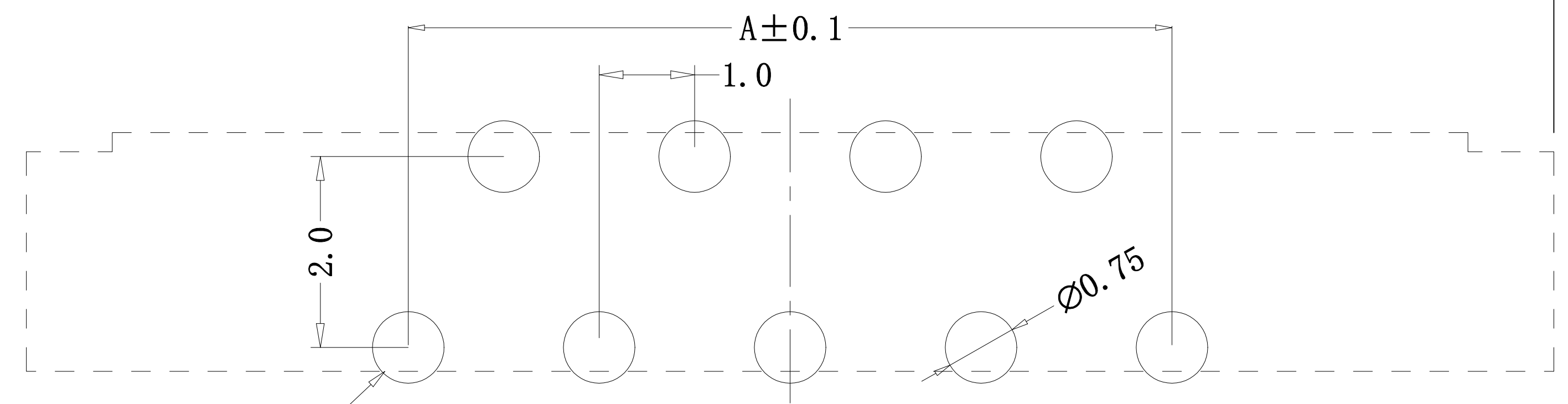
| REV. | ECN NO. | LOCAS. | DESCRIPTION | DATE | DESIGN |
|------|---------|--------|-------------|------|--------|
| A | | | NEW DRAWING | | |

| 孔位 | A | B | C | D |
|----|----|-------|-------|-------|
| 4 | 3 | 5.15 | 9.20 | 11.10 |
| 5 | 4 | 6.15 | 10.20 | 12.10 |
| 7 | 6 | 8.15 | 12.20 | 14.10 |
| 9 | 8 | 10.15 | 14.20 | 16.10 |
| 11 | 10 | 12.15 | 16.20 | 18.10 |
| 13 | 12 | 14.15 | 18.20 | 20.10 |
| 17 | 16 | 18.15 | 22.20 | 24.10 |
| 19 | 18 | 20.15 | 24.20 | 26.10 |
| 21 | 20 | 22.15 | 26.20 | 28.10 |
| 23 | 22 | 24.15 | 28.20 | 30.10 |
| 27 | 26 | 28.15 | 32.20 | 34.10 |
| 31 | 30 | 32.15 | 36.20 | 38.10 |
| 32 | 31 | 33.15 | 37.20 | 39.10 |
| 33 | 32 | 34.15 | 38.20 | 40.10 |
| 34 | 33 | 35.15 | 39.20 | 41.10 |
| 35 | 34 | 36.15 | 40.20 | 42.10 |
| 36 | 35 | 37.15 | 41.20 | 43.10 |



定义正脚基准脚
Define the positive foot reference foot

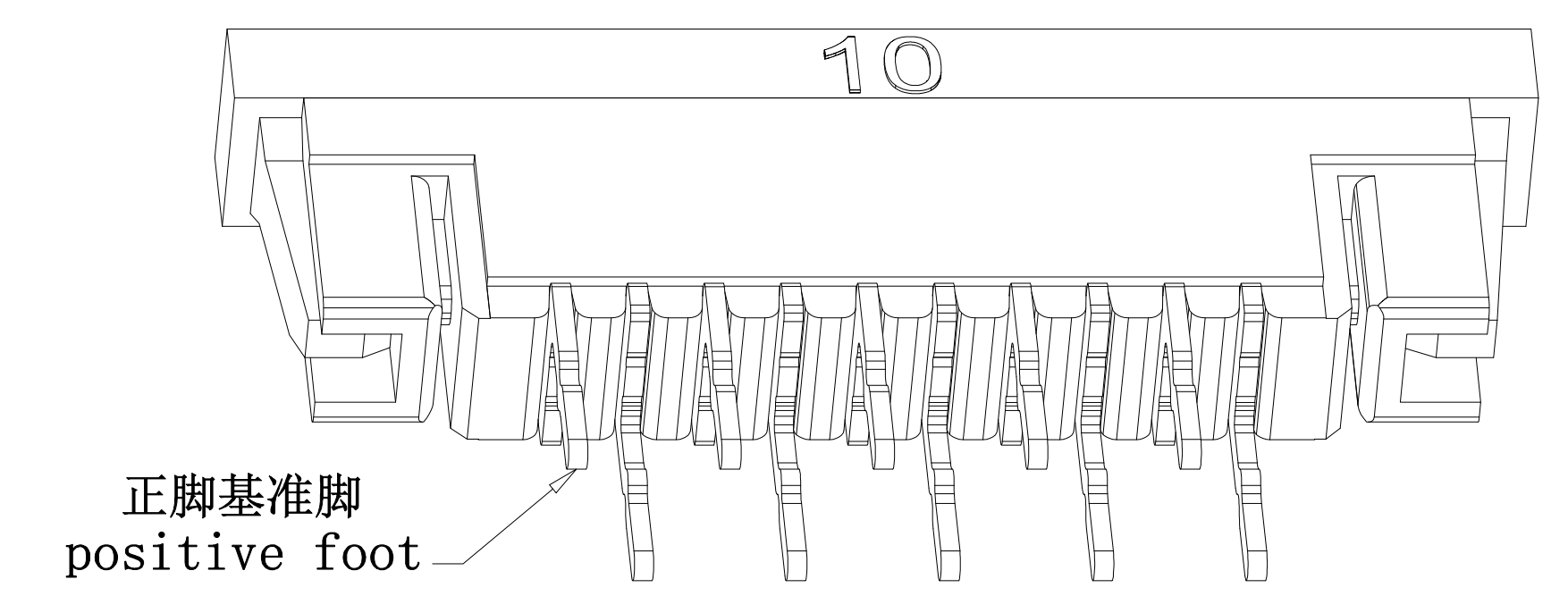
PC BOARD LAYOUT



PROPER CABLE (SCALE 2:1)

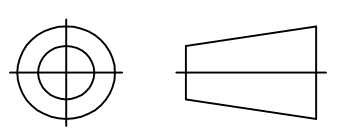
技术要求 (Technical Index):

1. 材质与表面处理 (Material And Finish):
基座 (Housing) and 盖子 (Cover): LCP UL94V-0 Nature Or Black;
端子 (Terminal): Phosphor Copper Au/Sn Plated;
焊片 (Solder): Copper Alloy Au/Sn Plated;
2. 工作温度 (Temperature range): -20° C ~ +85° C.
3. 额定电压 (Rated voltage): 50V, AC/DC.
4. 额定电流: 0.5A, AC/DC.
5. 接触电阻 (Contact resistance): ≤20mΩ.
6. 绝缘电阻 (Insulation resistance): ≥800MΩ.
7. 耐电压 (Withstanding Voltage): 500V AC/minute.



| | | | |
|-----------|--------------|--------|-------|
| DESIGN: | Xiping Huang | | |
| CHECK: | Ke Tian | | |
| APPROVED: | Youquan Xu | | |
| DIM | TOL | DIM | TOL |
| X. | ±0.25 | X° | ±3.0° |
| X.X | ±0.20 | X.X° | |
| X.XX | ±0.15 | X.XX° | |
| X.XXX | | X.XXX° | |


广东国连电子有限公司
 GUANGDONG GUOLIAN ELECTRONICS CO., LTD

| | | | | |
|----------|-------------------|--------|-----|---|
| TITLE: | 1.0mm FPC 直插式(正脚) | | | |
| PART NO. | 1.0K-HB-NP-*** | | | |
| REV. | A | SCALE: | N/A | UNIT: mm |
| SHEET: | 1/1 | | |  |