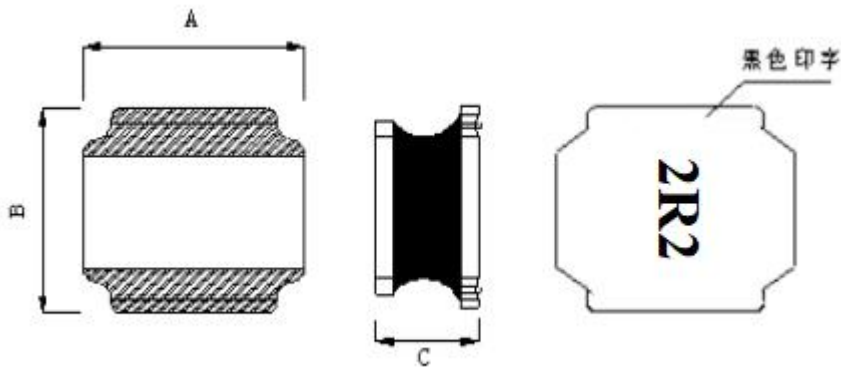


1 Product Identification

GDNR 4030 - 2R2 M T F
① ② ③ ④ ⑤ ⑥

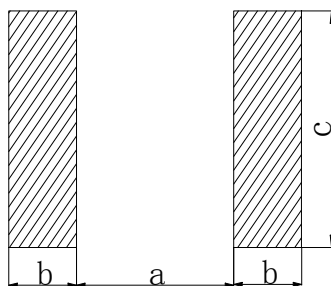
- ① Product Symbol
- ② Dimensions (See two)
- ③ Inductance Value (2R2:2.2μH)
- ④ Inductance Tolerance (J:±5%;K:±10%; M:±20%; N:±30%)
- ⑤ Packaging Style (B: Bulk; T: Tape & Reel)
- ⑥ Lead Free

2 Appearance, Dimensions(mm)



| A | B | C |
|---------|---------|---------|
| 4.0±0.2 | 4.0±0.2 | 3.0 Max |

LAND PATTERN DIMENSIONS



| / | mm |
|---|-----|
| a | 1.9 |
| b | 1.1 |
| c | 3.7 |



3 Specifications

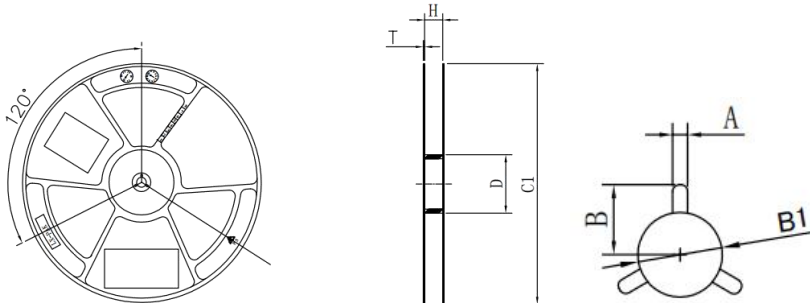
| Part No. | Inductance L0(uH) @100KHz/1V | RDC (mΩ) | Saturation Current (A)Max | Heat Rating Current (A)Max |
|-----------------|------------------------------------|-------------|------------------------------|-------------------------------|
| GDNR4030-1R0MTF | 1.0 ±20% | 24 ±30% | 5.8 | 2.96 |
| GDNR4030-1R5MTF | 1.5 ±20% | 30 ±30% | 4.84 | 2.9 |
| GDNR4030-2R2MTF | 2.2 ±20% | 35 ±30% | 4.9 | 2.57 |
| GDNR4030-4R7MTF | 4.7 ±20% | 60 ±30% | 2.9 | 2.0 |
| GDNR4030-680KTF | 68±10% | 868 ±30% | 0.75 | 0.52 |
| GDNR4030-221MTF | 220 ±20% | 2500 ±30% | 0.4 | 0.35 |

※ Note

*Rated current is the DC current that reduces the initial inductance by 30% or when the temperature rises $\Delta T = 40^{\circ}\text{C}$

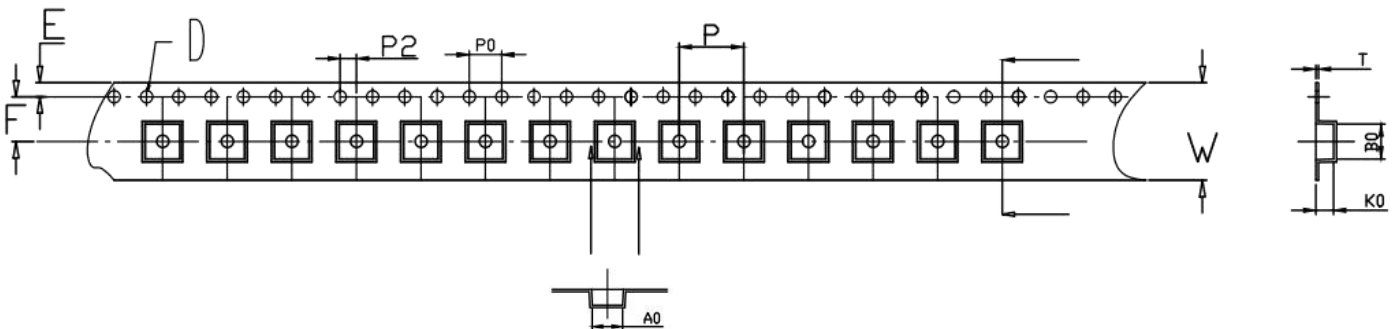
4 Packaging

(1) Dimensions of Reel (mm)



| | Size (mm) |
|----|-------------|
| C1 | 330 ± 3.0 |
| H | 12.8 ± 0.5 |
| A | 2.5 ± 0.3 |
| B | 10.75 ± 0.3 |
| B1 | 13+0.5/-0.2 |
| T | 2.0 ± 0.2 |
| D | 100 ± 1.0 |

(2) Dimensions of Tape (mm):



| W | A0 | B0 | K0 | P | F | E | D | P0 | P2 | T | Packaging quantity |
|------------|-----------|-----------|-----------|-----------|-----------|------------|---------------|-----------|-----------|-------------|--------------------|
| 12.0 ± 0.3 | 4.3 ± 0.1 | 4.3 ± 0.1 | 3.0 ± 0.1 | 8.0 ± 0.1 | 5.5 ± 0.1 | 1.75 ± 0.1 | 1.5+ 0.1/-0.0 | 4.0 ± 0.1 | 2.0 ± 0.1 | 0.35 ± 0.05 | 2000PCS/REEL |