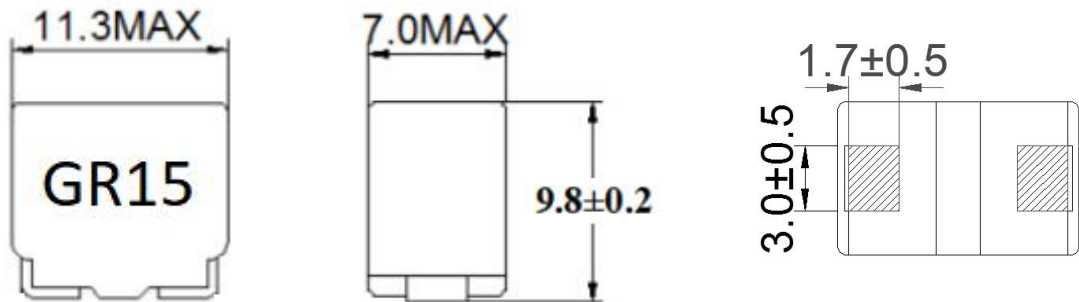


1 Product Identification

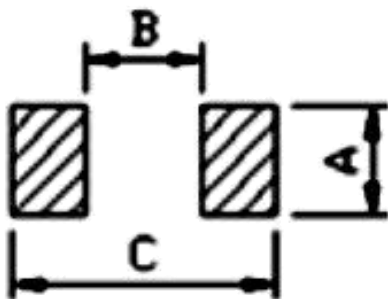
GDIM 107099 - R15 S1 M T F - 0R38
 ① ② ③ ④ ⑤ ⑥ ⑦ ⑧

- ① GD One-piece molded product
- ② Dimensions
- ③ Inductance Value (R15: 0.15nH)
- ④ Represents spray painting products
- ⑤ Inductance Tolerance (J:±5%;K:±10%; M:±20%; N:±30%)
- ⑥ Packaging Style (B: Bulk; T: Tape & Reel)
- ⑦ Lead Free
- ⑧ DCR discriminate

2 Appearance, Dimensions(mm)



LAND PATTERN DIMENSIONS



/	mm
A	3.5
B	5.4
C	12.6



3 Specifications

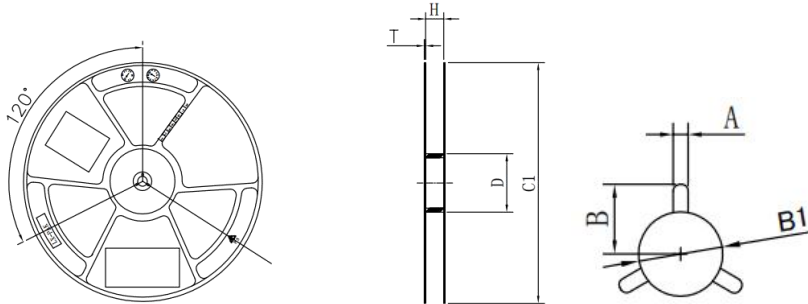
Part No.	Inductance L0(μ H) \pm 20%	RDC (m Ω)	Isat (A) Typ	Irms (A) Typ
GDIM107099-R15S1MTF-0R38	0.15	0.38 \pm 10%	120	55
GDIM107099-R22S1MTF-0R42	0.22	0.42 \pm 10%	80	45
GDIM107099-R36S1MTF-0R56	0.36	0.56 \pm 10%	60	42
GDIM107099-R40S1MTF-0R62	0.40	0.62 \pm 10%	65	40

※ Note

1. All test data is reference to 25°C ambient.
2. Test Condition: 100KHz, 1.0Vrms.
3. Irms: DC current (A) that will cause an approximate ΔT of 40°C
4. Isat : DC current (A) that will cause L0 to drop approximately 30%
5. Operat between temperature range -55°C to +125°C
6. The part temperature (ambient + temp rise) should not exceed 125°C under worst case operating conditions. Circuit design, component. PWB trace size and thickness, airflow nd other cooling procision all affect the part temperature. Part temperature should be verified in the den application
7. The rated current as listed is either the saturation current or the heating current depending on which value is lower.

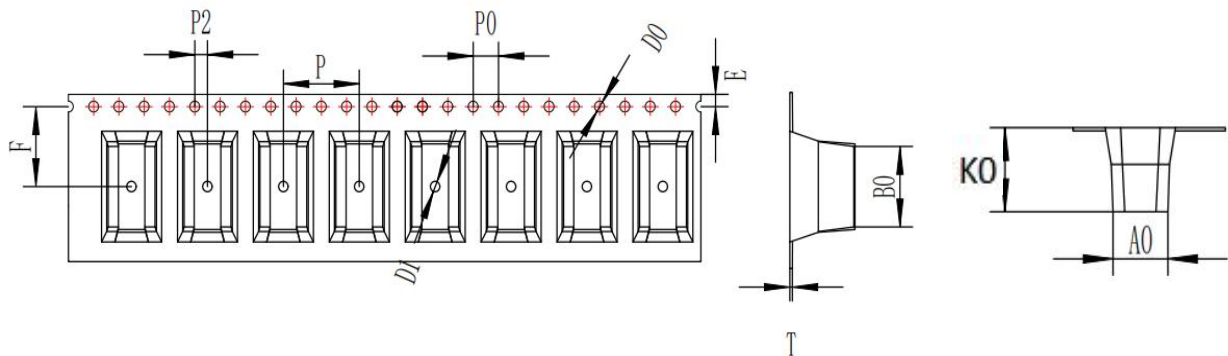
4 Packaging

(1) Dimensions of Reel (mm)



	Size (mm)
C1	330.0 ±3.0
H	24.8 ± 0.5
A	2.5± 0.3
B	10.75 ± 0.3
B1	13+0.5/-0.2
T	2.0 ± 0.2
D	100 ± 0.1

(2) Dimensions of Tape (mm):



W	Ao	Bo	Ko	P	F	E	D0	D1	P0	T	Packaging quantity
24.00 ±0.3	7.30 ±0.1	11.60 ±0.1	10.60 ±0.1	12.0 ±0.1	11.5 ±0.1	1.7 ±0.1	1.50 ±0.1	4.00 ±0.1	2.00 ±0.1	0.50± 0.05	350PCS/REEL