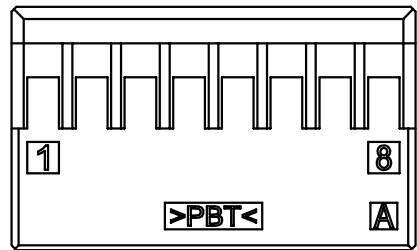
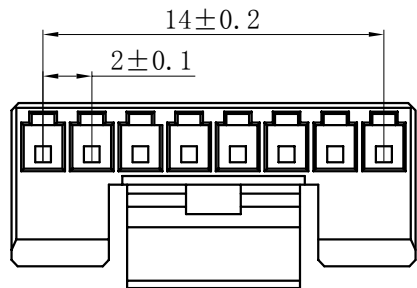
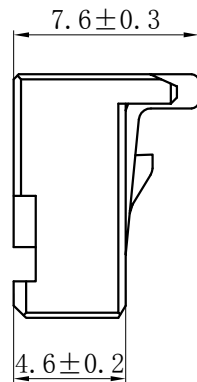
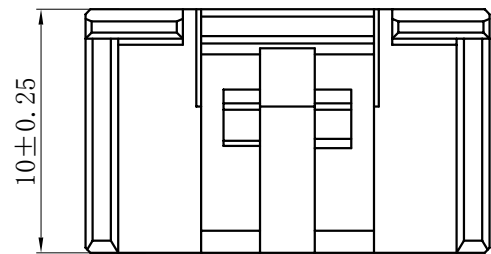
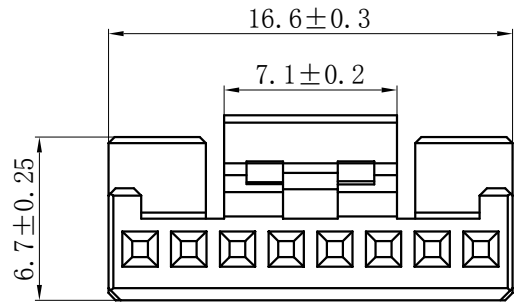


REV.	REVISION DESCRIPTION	DATE	APPD

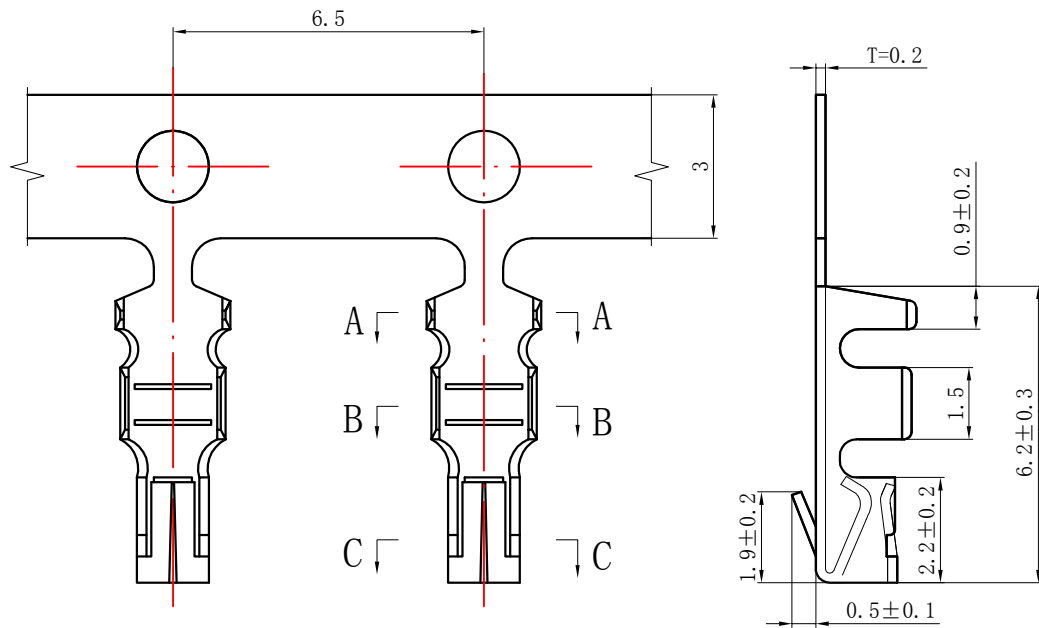


NOTES:

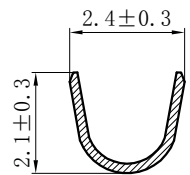
1. Rated voltage: 250V AC.DC
2. Rated current: 1A AC DC
3. Contact resistance: $\leq 20 \text{ m}\Omega$
4. Insulation resistance: $\geq 100 \text{ M}\Omega$
5. Withstand voltage: 650V AC/minute
6. Ambient temprature: $-40^\circ\text{C} \sim +105^\circ\text{C}$
7. Material : PBT UL94V-0(2)
8. Matched RoHS criteria

GENERAL TOLERANCES (UNLESS SPECIFIED)		ZHE JIANG DELI CONNECTORS CO.,LTD	
.X: ± 0.25	X° : $\pm 3.0^\circ$	PRODUCT NAME: DL20022(GTE)-8Y	TITLE: 2.00 mm Pitch Housing
.XX: ± 0.15	.X° : $\pm 2.0^\circ$	DR:Chen Quan Long	DATE:22/08/01
.XXX: ± 0.01	.XX° : $\pm 1.0^\circ$	CHKD:Wu Hui	DATE:22/08/01
FINISH:		APPD:Ren An De	DATE:22/08/01
DRAWING NO:		SCALE: N/A	PAGE: 1/1
		UNITS: mm	REV.: A

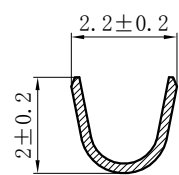
REV.	REVISION DESCRIPTION	DATE	APPD



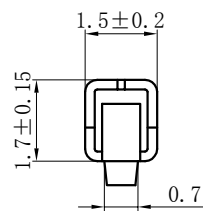
NOTES:
Rated voltage: 250V AC.DC
Rated current: 1A AC DC
Contact resistance: $\leq 20 \text{ m}\Omega$
Insulation resistance: $\geq 100 \text{ M}\Omega$
Withstand voltage: 650V AC/minute
Ambient temperature: $-40^\circ\text{C} \sim +105^\circ\text{C}$
Wire range: AWG#28~#22
Materials:
Terminal: Phosphor bronze, Tin plated



SECTION A-A



SECTION B-B



SECTION C-C

GENERAL TOLERANCES (UNLESS SPECIFIED)		ZHE JIANG DELI CONNECTORS CO., LTD	
.X: ± 0.25	X°: $\pm 3.0^\circ$	PRODUCT NAME: DL20022 (GTE)-T	TITLE: 2.00 mm Pitch Crimp Terminal
.XX: ± 0.15	.X°: $\pm 2.0^\circ$	DR: Chen Quan Long	DATE: 22/08/01
.XXX: ± 0.01	.XX°: $\pm 1.0^\circ$	CHKD: Wu Hui	DATE: 22/08/01
FINISH:		APPD: Ren An De	DATE: 22/08/01
DRAWING NO:		UNITS: mm	PAGE: 1/1 REV.: A